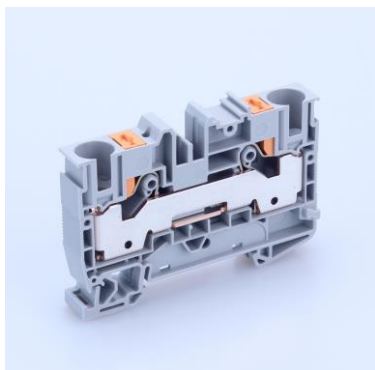


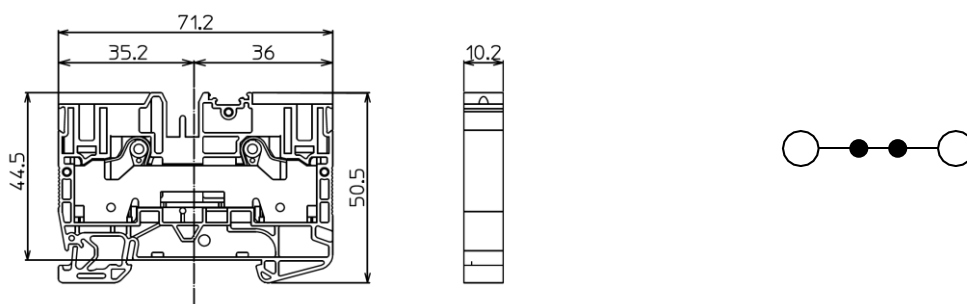
Spring-Lock type Terminal Block

# VTX-10/2

**TOYOGI** TOYOGIKEN CO.,LTD.



- Spring-Lock type
- 10mm<sup>2</sup>/57A/1000V
- 10.2mm wide
- Easy to remove connected wire with a release button.
- No retightening is required.
- IEC/DIN35mm rail mount
- Insulation material:Nylon (UL94V-0)



## General Data

|                               |         |        |   |   |        |   |   |        |
|-------------------------------|---------|--------|---|---|--------|---|---|--------|
| Sales lot                     | 50      |        |   |   |        |   |   |        |
| Minimum order quantity        | 50      |        |   |   |        |   |   |        |
| Weight per Piece              | 32.2g   |        |   |   |        |   |   |        |
| Size (D:from top of the rail) | W       | 10.2mm | x | H | 71.2mm | x | D | 44.5mm |
| HS code                       | 8536.90 |        |   |   |        |   |   |        |
| Country of origin             | Japan   |        |   |   |        |   |   |        |

## Material

|                | Material | Flammability rating | Material group |
|----------------|----------|---------------------|----------------|
| Body           | 66Nylon  | UL94V-0             | I              |
| Release Button | 66Nylon  | UL94V-0             | III            |

## Body Color and Part No.

|   |       |              |   |        |             |
|---|-------|--------------|---|--------|-------------|
|  | Gray  | : VTX-10/2   |  | Red    | : VTX-10/2R |
|  | Blue  | : VTX-10/2BL |  | Orange | : VTX-10/2O |
|  | Black | : VTX-10/2BK |   |        |             |

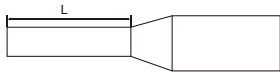


\*Product appearance and specifications are subject to change without notice.

Spring-Lock type Terminal Block

**VTX-10/2****TDG TOYOGIKEN CO.,LTD.****Specification**

|          |        |                     |           |
|----------|--------|---------------------|-----------|
| Standard | IEC/EN | 60947-7-1           |           |
|          |        | TÜV Certificate No. | R50413013 |
|          | JIS    | C 8201-7-1          |           |
|          | NECA   | C 2811              |           |

|                                 |   |       |      |       |
|---------------------------------|---|-------|------|-------|
| Rated voltage                   | IEC/JIS                                     | 1000V | NECA | 1000V |
| Rated current                   | IEC/JIS                                     | 57A   | NECA | 57A   |
| Withstand voltage               | IEC/JIS                                     | 2200V | NECA | 2500V |
| Rated cross-section             | 10mm <sup>2</sup>                           |       |      |       |
| Overvoltage category            | III   |       |      |       |
| Rated impulse withstand voltage | 8kV   |       |      |       |
| Pollution degree                | 3   |       |      |       |
| IP code                         | IP2X  |       |      |       |
| Insulation resistance           | 200MΩ or more (DC500V)                      |       |      |       |
| Ambient temperature             | -25°C~+60°C (No freezing and condensations) |       |      |       |
| Relative humidity               | 45%~85%                                     |       |      |       |

| Applicable wire size   | Cross section                            | L         |
|--|--|-----------|
| Ferrule with plastic sleeve<br> | 1.25mm <sup>2</sup> -10mm <sup>2</sup>   | 18mm      |
| Stranded<br>                    | 0.5mm <sup>2</sup> -10mm <sup>2</sup>    | 18mm-19mm |
| Solid<br>                       | Φ0.5mm <sup>2</sup> -Φ3.2mm <sup>2</sup> | 18mm-19mm |

\*Stranded and Solid: Insulation Outer Diameter &lt;Φ9.2mm

**Approval**

UL1059 / C22.2 No.158 File No. : E113585

|               |                             | Use group[B, C] | Use group[D] |
|---------------|-----------------------------|-----------------|--------------|
| Rated voltage |                             | 600V            | -            |
| Rated current |                             | 60A             | -            |
| Wire range    | Ferrule with plastic sleeve | AWG16-AWG8      |              |
|               | Stranded                    | AWG20-AWG6      |              |
|               | Solid                       | AWG20-AWG10     |              |

Spring-Lock type Terminal Block

**VTX-10/2****TOGI TOYOGIKEN CO.,LTD.****Accessory**

|  |                |
|--|----------------|
| End plate (for insulating conductive part) | VTX-10/2E      |
| End plate (for holding a nameplate)        | VTX-10/2E1     |
| Stopper                                    | GTY34, GTY18   |
| Nameplate (top)                            | AM-10, AR-10   |
| Nameplate (side)                           | AP-6.5, AR-6.5 |

**Rail**

|   |                              |
|---|------------------------------|
| Aluminum rail   | DAV4-1000, DAV4-2000         |
|   | DAV5-1000, DAV5-2000         |
|   | DAV5S-1000, DAV5S-2000       |
|   | DAS4-1000, DAS4-2000         |
|   | DAS5-1000, DAS5-2000         |
| Aluminum rail (Not Anodizing)<br>*Short-time withstand current(1s): 4.2kA | DAV4-1000(NA), DAV4-2000(NA) |
|   | DAV5-1000(NA), DAV5-2000(NA) |

Spring-Lock type Terminal Block

**VTX-10/2****TDGI TOYOGIKEN CO.,LTD.****Assembled Terminal Blocks**● **Factory-assembled and shipped**

•Part No.

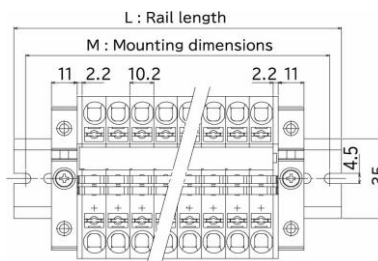
**VTXL-10/2[Color]-□P**

[Color]: BL=Blue, R=Red, O=Orange, BK=Black, Nothing=Gray

□: Number of Terminal blocks

**Components**

|                |                      |
|----------------|----------------------|
| Terminal block | VTX-10/2[Color]      |
| End plate      | VTX-10/2E,VTX-10/2E1 |
| Stopper        | GTY34                |
| Nameplate      | AR-10                |
| Rail           | DAV4                 |




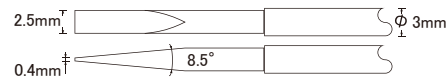

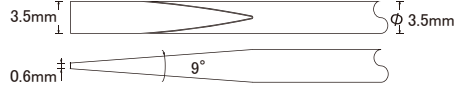

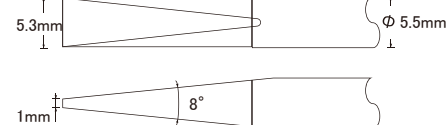
| □P    | L(mm) | M(mm) |
|-------|-------|-------|
| N/A   | 40    | 30    |
| 1     | 60    | 50    |
| 2-3   | 80    | 70    |
| 4-5   | 100   | 90    |
| 6-7   | 120   | 110   |
| 8-9   | 140   | 130   |
| 10-11 | 160   | 150   |
| 12-13 | 180   | 170   |
| 14-15 | 200   | 190   |
| 16-17 | 220   | 210   |
| 18-19 | 240   | 230   |
| 20-21 | 260   | 250   |
| 22-23 | 280   | 270   |
| 24-25 | 300   | 290   |
| 26-27 | 320   | 310   |
| 28-29 | 340   | 330   |
| 30-31 | 360   | 350   |
| 32-33 | 380   | 370   |
| 34-35 | 400   | 390   |
| 36-37 | 420   | 410   |
| 38-39 | 440   | 430   |
| 40-41 | 460   | 450   |
| 42-43 | 480   | 470   |
| 44    | 500   | 490   |

| □P    | L(mm) | M(mm) |
|-------|-------|-------|
| 45-46 | 520   | 510   |
| 47-48 | 540   | 530   |
| 49-50 | 560   | 550   |
| 51-52 | 580   | 570   |
| 53-54 | 600   | 590   |
| 55-56 | 620   | 610   |
| 57-58 | 640   | 630   |
| 59-60 | 660   | 650   |
| 61-62 | 680   | 670   |
| 63-64 | 700   | 690   |
| 65-66 | 720   | 710   |
| 67-68 | 740   | 730   |
| 69-70 | 760   | 750   |
| 71-72 | 780   | 770   |
| 73-74 | 800   | 790   |
| 75-76 | 820   | 810   |
| 77-78 | 840   | 830   |
| 79-80 | 860   | 850   |
| 81-82 | 880   | 870   |
| 83-84 | 900   | 890   |
| 85-86 | 920   | 910   |
| 87-88 | 940   | 930   |
| 89-90 | 960   | 950   |
| 91-92 | 980   | 970   |
| 93    | 1000  | 990   |

Spring-Lock type Terminal Block

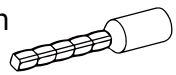
**VTX-10/2****TOYO TOYOGIKEN CO.,LTD.****Tool****•Flat head screw driver**

|                           |       |
|---------------------------|-------|
| for VTX-1.5, VTX-2        | VT5-0 |
| for VTX-2.5, VTX-4, VTX-6 | VT5-1 |
| for VTX-10, VTX-16        | VT5-2 |

|  |   |
|--|---|
| VT5-0<br>   |   |
| VT5-1<br>   |   |
| VT5-2<br> |  |

※If use screwdrivers other than the ones above, use the screwdrivers comply with DIN5264.

**•Crimping Plier for Ferrules**

| Part No. | Applicable wire range                   | Crimp form  |
|----------|---|---|
| TA-540   | 0.14mm <sup>2</sup> ~ 16mm <sup>2</sup> | square crimp form  |
|          | AWG26 ~ AWG5                            |   |



Spring-Lock type Terminal Block

**VTX-10/2****TOGI TOYOGIKEN CO.,LTD.****Ferrule**

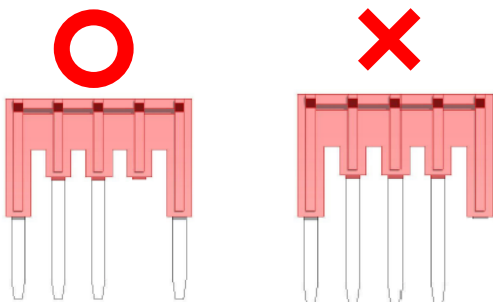
| Part No.       | Cross section<br>(mm <sup>2</sup> ) | Length<br>(mm) | VTX/VTXW |   |     |   |   |    |    |   |
|----------------|-------------------------------------|----------------|----------|---|-----|---|---|----|----|---|
|                |                                     |                | 1.5      | 2 | 2.5 | 4 | 6 | 10 | 16 |   |
| TA0.25-10YE    |                                     | 0.25           | 10       | ● | ●   |   |   |    |    |   |
| TA0.25-12BU    |                                     | 0.25           | 12       |   |     | ● | ● |    |    |   |
| TA0.34-10TQ    |                                     | 0.34           | 10       | ● | ●   |   |   |    |    |   |
| TA0.34-12TQ    |                                     | 0.34           | 12       |   |     | ● | ● |    |    |   |
| TA0.5-8WH      |                                     | 0.5            | 8        | ● | ●   |   |   |    |    |   |
| TA0.5-8WH-GB   | GB                                  | 0.5            | 8        |   | ●   |   |   |    |    |   |
| TA0.5-10WH-GB  | GB                                  | 0.5            | 10       |   |     | ● | ● |    |    |   |
| TA0.5-10WH     |                                     | 0.5            | 10       |   |     | ● | ● |    |    |   |
| TAW0.5-10WH    | W                                   | 0.5            | 10       |   |     | ● | ● |    |    |   |
| TA0.5-10OG     |                                     | 0.5            | 10       |   |     | ● | ● |    |    |   |
| TA0.5-12WH     |                                     | 0.5            | 12       |   |     |   |   | ●  |    |   |
| TA0.75-8GY     |                                     | 0.75           | 8        | ● | ●   |   |   |    |    |   |
| TA0.75-8GY-GB  | GB                                  | 0.75           | 8        |   | ●   |   |   |    |    |   |
| TA0.75-10WH    |                                     | 0.75           | 10       |   |     | ● | ● |    |    |   |
| TA0.75-10GY-GB | GB                                  | 0.75           | 10       |   |     | ● | ● |    |    |   |
| TA0.75-10GY    |                                     | 0.75           | 10       |   |     | ● | ● |    |    |   |
| TAW0.75-10GY   | W                                   | 0.75           | 10       |   |     |   | ● |    |    |   |
| TA0.75-12GY    |                                     | 0.75           | 12       |   |     |   |   | ●  |    |   |
| TA1-8RD        |                                     | 1              | 8        |   | ●   |   |   |    |    |   |
| TA1-10YE       |                                     | 1              | 10       |   |     | ● | ● |    |    |   |
| TA1-10RD       |                                     | 1              | 10       |   |     | ● | ● |    |    |   |
| TA1-10RD-GB    | GB                                  | 1              | 10       |   |     | ● | ● |    |    |   |
| TAW1-10RD      | W                                   | 1              | 10       |   |     |   | ● |    |    |   |
| TA1-12RD       |                                     | 1              | 12       |   |     |   |   | ●  |    |   |
| TA1.5-8BK      |                                     | 1.5            | 8        |   | ●   |   |   |    |    |   |
| TA1.5-10BK-GB  | GB                                  | 1.5            | 10       |   |     | ● | ● |    |    |   |
| TA1.5-10BK     |                                     | 1.5            | 10       |   |     | ● | ● |    |    |   |
| TA1.5-10RD     |                                     | 1.5            | 10       |   |     | ● | ● |    |    |   |
| TA1.5-12BK     |                                     | 1.5            | 12       |   |     |   |   | ●  |    |   |
| TAW1.5-12BK    | W                                   | 1.5            | 12       |   |     |   |   | ●  |    |   |
| TA2.5-10BU     |                                     | 2.5            | 10       |   |     | ● | ● |    |    |   |
| TA2.5-12BU     |                                     | 2.5            | 12       |   |     |   |   | ●  |    |   |
| TA4-10GY       |                                     | 4              | 10       |   |     |   | ● |    |    |   |
| TA4-12GY       |                                     | 4              | 12       |   |     |   |   | ●  |    |   |
| TA4-18GY       |                                     | 4              | 18       |   |     |   |   |    | ●  | ● |
| TA6-12YE       |                                     | 6              | 12       |   |     |   |   | ●  |    |   |
| TA6-12BK       |                                     | 6              | 12       |   |     |   |   | ●  |    |   |
| TA6-18YE       |                                     | 6              | 18       |   |     |   |   |    | ●  | ● |
| TA10-18RD      |                                     | 10             | 18       |   |     |   |   |    | ●  | ● |
| TA16-18BU      |                                     | 16             | 18       |   |     |   |   |    |    | ● |

Spring-Lock type Terminal Block

**VTX-10/2****TDGI TOYOGIKEN CO.,LTD.****Short bar**

| Part No.  |           |           |            | Number of poles | Rated voltage (V) | Rated current (A) | Compatible Series |
|-----------|-----------|-----------|------------|-----------------|-------------------|-------------------|-------------------|
| Black     | Red       | Gray      | Blue       |                 |                   |                   |                   |
| BBX1.5-2  | RBX1.5-2  | GBX1.5-2  | BLBX1.5-2  | 2               | 500               | 17.5              | VTX(W)-1.5        |
| BBX1.5-3  | RBX1.5-3  | GBX1.5-3  | BLBX1.5-3  | 3               |                   |                   |                   |
| BBX1.5-4  | RBX1.5-4  | GBX1.5-4  | BLBX1.5-4  | 4               |                   |                   |                   |
| BBX1.5-5  | RBX1.5-5  | GBX1.5-5  | BLBX1.5-5  | 5               |                   |                   |                   |
| BBX1.5-10 | RBX1.5-10 | GBX1.5-10 | BLBX1.5-10 | 10              |                   |                   |                   |
| BBX1.5-20 | RBX1.5-20 | GBX1.5-20 | BLBX1.5-20 | 20              |                   |                   |                   |
| BBX2-2    | RBX2-2    | GBX2-2    | BLBX2-2    | 2               | 500               | 24                | VTX(W)-2          |
| BBX2-3    | RBX2-3    | GBX2-3    | BLBX2-3    | 3               |                   |                   |                   |
| BBX2-4    | RBX2-4    | GBX2-4    | BLBX2-4    | 4               |                   |                   |                   |
| BBX2-5    | RBX2-5    | GBX2-5    | BLBX2-5    | 5               |                   |                   |                   |
| BBX2-10   | RBX2-10   | GBX2-10   | BLBX2-10   | 10              |                   |                   |                   |
| BBX2-20   | RBX2-20   | GBX2-20   | BLBX2-20   | 20              |                   |                   |                   |
| BBX2.5-2  | RBX2.5-2  | GBX2.5-2  | BLBX2.5-2  | 2               | 800               | 24                | VTX(W)-2.5        |
| BBX2.5-3  | RBX2.5-3  | GBX2.5-3  | BLBX2.5-3  | 3               |                   |                   |                   |
| BBX2.5-4  | RBX2.5-4  | GBX2.5-4  | BLBX2.5-4  | 4               |                   |                   |                   |
| BBX2.5-5  | RBX2.5-5  | GBX2.5-5  | BLBX2.5-5  | 5               |                   |                   |                   |
| BBX2.5-10 | RBX2.5-10 | GBX2.5-10 | BLBX2.5-10 | 10              |                   |                   |                   |
| BBX2.5-20 | RBX2.5-20 | GBX2.5-20 | BLBX2.5-20 | 20              |                   |                   |                   |
| BBX4-2    | RBX4-2    | GBX4-2    | BLBX4-2    | 2               | 800               | 32                | VTX(W)-4          |
| BBX4-3    | RBX4-3    | GBX4-3    | BLBX4-3    | 3               |                   |                   |                   |
| BBX4-4    | RBX4-4    | GBX4-4    | BLBX4-4    | 4               |                   |                   |                   |
| BBX4-5    | RBX4-5    | GBX4-5    | BLBX4-5    | 5               |                   |                   |                   |
| BBX4-10   | RBX4-10   | GBX4-10   | BLBX4-10   | 10              |                   |                   |                   |
| BBX4-20   | RBX4-20   | GBX4-20   | BLBX4-20   | 20              |                   |                   |                   |
| BBX6-2    | RBX6-2    | GBX6-2    | BLBX6-2    | 2               | 1000              | 41                | VTX-6             |
| BBX6-3    | RBX6-3    | GBX6-3    | BLBX6-3    | 3               |                   |                   |                   |
| BBX6-4    | RBX6-4    | GBX6-4    | BLBX6-4    | 4               |                   |                   |                   |
| BBX6-5    | RBX6-5    | GBX6-5    | BLBX6-5    | 5               |                   |                   |                   |
| BBX6-6    | RBX6-6    | GBX6-6    | BLBX6-6    | 6               |                   |                   |                   |
| BBX6-10   | RBX6-10   | GBX6-10   | BLBX6-10   | 10              |                   |                   |                   |
| BBX10-2   | RBX10-2   | GBX10-2   | BLBX10-2   | 2               | 1000              | 57                | VTX-10            |
| BBX10-5   | RBX10-5   | GBX10-5   | BLBX10-5   | 5               |                   |                   |                   |
| BBX16-2   | RBX16-2   | GBX16-2   | BLBX16-2   | 2               | 1000              | 76                | VTX-16            |

•Position-skipping



- Please be careful not to break resin parts of a short bar during processing.
- Do not cut bars at the ends.
- Rated voltage 600V when skipping poles at VTX(W)-2.5, VTX(W)-4 and VTX-6.

VTX Series

Spring-Lock type Terminal Block

# **VTX-10/2**

**3D view available in PDF by Acrobat Reader**

---