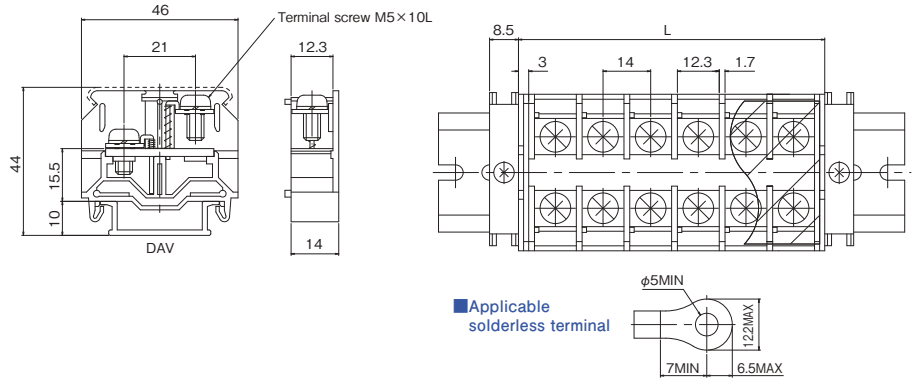




PTU-80

M5/14mm² 75A

RoHS



Rating

| Applicable wire / Rated current | | | UL, CSA | TÜV | Terminal screw | Tightening torque |
|---------------------------------|------------------|-------------------|-------------------|--------------------|------------------------------|-------------------|
| 5.5mm ² | 8mm ² | 14mm ² | AWG8~6 (stranded) | AWG12~6 (stranded) | M5 × 10L Pan head sems(±) | 2.0~3.0N·m |
| 1000V/40A | 1000V/50A | 1000V/75A | 600V/68A | 600V/75A | | |

Assembly terminal

(assembled at the factory and shipped)

Order format:

PTUL-80-□P (□ : No. of poles)

Total length of terminal block (L) = Terminal width (14mm) × No. of poles (□P) + End plate × 2 (6mm)

| | | | | | | | | | | | | | | | |
|---------------------|-----|-----|-----|-----|-----|-----|-----|-----|-----|-----|-----|-----|-----|-----|-----|
| No. of poles (P) | 1 | 2 | 3 | 4 | 5 | 6 | 7 | 8 | 9 | 10 | 11 | 12 | 13 | 14 | 15 |
| Terminal length (L) | 20 | 34 | 48 | 62 | 76 | 90 | 104 | 118 | 132 | 146 | 160 | 174 | 188 | 202 | 216 |
| No. of poles (P) | 16 | 17 | 18 | 19 | 20 | 21 | 22 | 23 | 24 | 25 | 26 | 27 | 28 | 29 | 30 |
| Terminal length (L) | 230 | 244 | 258 | 272 | 286 | 300 | 314 | 328 | 342 | 356 | 370 | 384 | 398 | 412 | 426 |

See "DAV4 Rail length" at page 21.

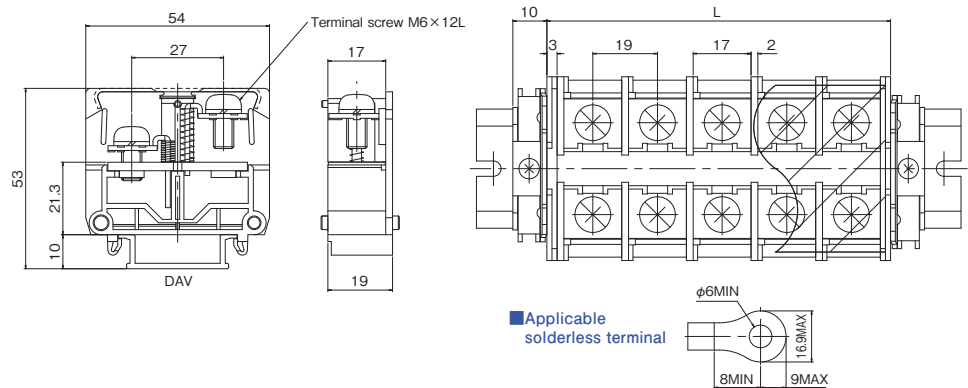
| Terminal block | End plate | Cover | Name plate | Rail | Stopper | Short bar |
|--------------------|--------------------|---------------|---------------|----------------|------------------|----------------|
| PTU-80 (20.85g) | PTU-80L (3.55g) | CA-40 — | AM-10 — | DAV4 — | HDV-1 (17.8g) | SB14-※, □B14-※ |
| Sales lot(50) | Sales lot(50) | Sales lot(20) | Sales lot(50) | Sales lot(100) | Sales lot(100) | — |

※Short bar is option.

PTU-100

M6/22mm² 95A

RoHS



Rating

| Applicable wire / Rated current | | | | UL/cUL | TÜV | Terminal screw | Tightening torque |
|---------------------------------|-------------------|-------------------|----------------------|--------------------|--------------------|------------------------------|-------------------|
| 8mm ² | 14mm ² | 22mm ² | (38mm ²) | AWG10~4 (stranded) | AWG10~4 (stranded) | M6 × 12L Pan head sems(±) | 2.5~3.7N·m |
| 1000V/50A | 1000V/75A | 1000V/95A | 1000V/(100A) | 600V/95A | 600V/95A | | |

※ () : It is possible to wire with applicable solderless terminal which is non-standard JIS.

Assembly terminal

(assembled at the factory and shipped)

Order format:

PTUL-100-□P (□ : No. of poles)

Total length of terminal block (L) = Terminal width (19mm) × No. of poles (□P) + End plate × 2 (6mm)

| | | | | | | | | | | | | | | | |
|---------------------|-----|-----|-----|-----|-----|-----|-----|-----|-----|-----|-----|-----|-----|-----|-----|
| No. of poles (P) | 1 | 2 | 3 | 4 | 5 | 6 | 7 | 8 | 9 | 10 | 11 | 12 | 13 | 14 | 15 |
| Terminal length (L) | 25 | 44 | 63 | 82 | 101 | 120 | 139 | 158 | 177 | 196 | 215 | 234 | 253 | 272 | 291 |
| No. of poles (P) | 16 | 17 | 18 | 19 | 20 | 21 | 22 | 23 | 24 | 25 | 26 | 27 | 28 | 29 | 30 |
| Terminal length (L) | 310 | 329 | 348 | 367 | 386 | 405 | 424 | 443 | 462 | 481 | 500 | 519 | 538 | 557 | 576 |

See "DAV4 Rail length" at page 21.

| Terminal block | End plate | Cover | Name plate | Rail | Stopper | Short bar |
|---------------------|---------------------|---------------|---------------|----------------|-------------------|-----------|
| PTU-100 (39.30g) | PTU-100L (5.00g) | CA-47 — | AM-10 — | DAV4 — | HDV-2 (21.60g) | — |
| Sales lot(20) | Sales lot(10) | Sales lot(20) | Sales lot(50) | Sales lot(100) | Sales lot(50) | — |

※Short bar is option.