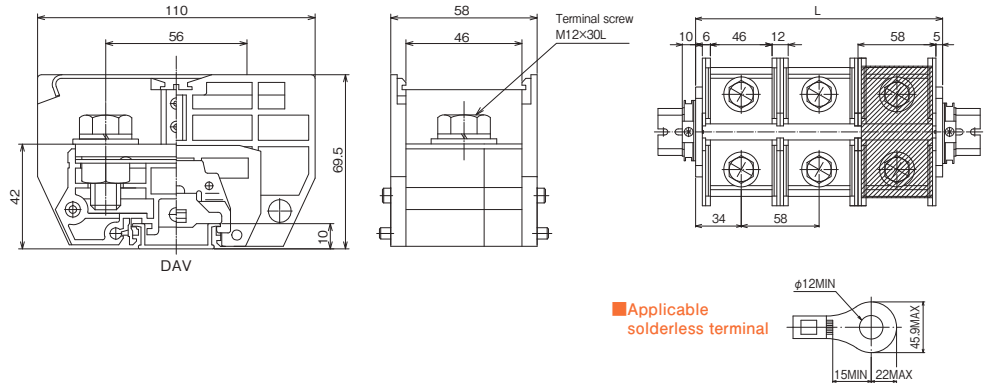




PT-400

M12/200mm² 400A

RoHS



Rating

Applicable wire / Rated current			UL, CSA	TÜV	Terminal screw	Tightening torque
100mm ²	150mm ²	200mm ²	AWG4/0~350 (MCM) (stranded)	AWG3/0~500 (MCM) (stranded)	M12×30L ±hexagon bolt with SP, PW	14.0~20.6N·m
1000V/240A	1000V/310A	1000V/400A	600V/400A	660V/400A		

Assembly terminal

(assembled at the factory and shipped)

Total length of terminal block (L) = Terminal width (58mm) × No. of poles (□P) + End plate × 2 (10mm)

Order format:

PTL-400※-□P (□ : No. of poles)
 blank : standard cover
 -CP : safety cover

No. of poles (P)	1	2	3	4	5	6	7	8	9	10
Terminal length (L)	68	126	184	242	300	358	416	474	532	590

See "DAV4 Rail length" at page 22.

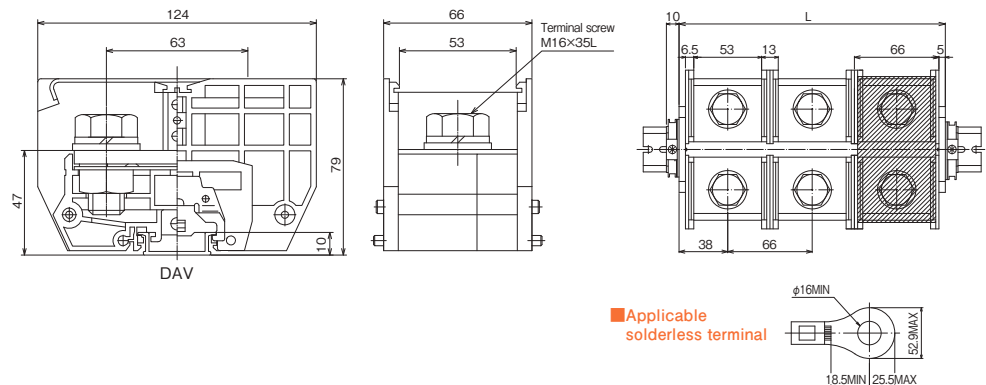
Terminal block	End plate	Standard cover	Safety cover	Name plate	Rail	Stopper	Short bar
PT-400 (405.2g)	PT-200L (9.5g)	CTC-400	CTCP-400	AP-12	DAV4	HDV-2	—
Sales lot(5)	Sales lot(1)	Sales lot(1)	Sales lot(1)	Sales lot(50)	Sales lot(100)	Sales lot(50)	—

※No short bars.

PT-600

M16/325mm² 600A

RoHS



Rating

Applicable wire / Rated current			UL, CSA	TÜV	Terminal screw	Tightening torque
150mm ²	200mm ²	325mm ²	AWG/MCM300~600 (stranded)	AWG/MCM250~600 (stranded)	M16×35L ±hexagon bolt with SP, PW	25.0~37.3N·m
1000V/310A	1000V/400A	1000V/600A	600V/550A	600V/660A		

Assembly terminal

(assembled at the factory and shipped)

Total length of terminal block (L) = Terminal width (66mm) × No. of poles (□P) + End plate × 2 (10mm)

Order format:

PTL-600※-□P (□ : No. of poles)
 blank : standard cover
 -CP : safety cover

No. of poles (P)	1	2	3	4	5	6	7	8	9	10
Terminal length (L)	76	142	208	274	340	406	472	538	604	670

See "DAV4 Rail length" at page 22.

Terminal block	End plate	Standard cover	Safety cover	Name plate	Rail	Stopper	Short bar
PT-600	PT-200L	CTC-600	CTCP-600	AP-12	DAV4	HDV-2	—
Sales lot(3)	Sales lot(1)	Sales lot(1)	Sales lot(1)	Sales lot(50)	Sales lot(100)	Sales lot(50)	—

※No short bars.