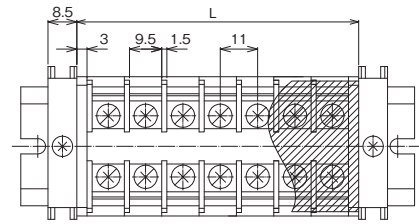
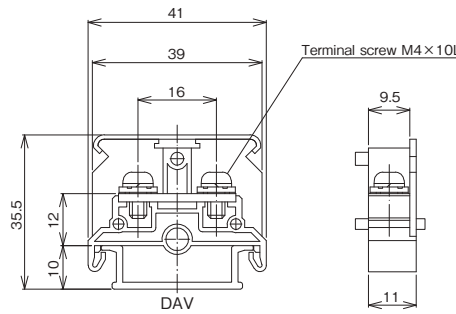




PT-40

M4/5.5mm² 40A

RoHS



Rating

Applicable wire / Rated current		UL, CSA	TÜV	Terminal screw	Tightening torque
3.5mm ²	5.5mm ²	AWG18~10(stranded)	AWG18~10(stranded)	M4×10L	1.2~1.8N·m
1000V/30A	1000V/40A	600V/40A	600V/40A	±terminal screw with SP	

Assembly terminal

(assembled at the factory and shipped)

Order format:

PTL-40-□P (□ : No. of poles)

Total length of terminal block (L) = Terminal width (11mm) × No. of poles (□P) + End plate × 2 (6mm)

No. of poles (P)	1	2	3	4	5	6	7	8	9	10	11	12	13	14	15
Terminal length (L)	17	28	39	50	61	72	83	94	105	116	127	138	149	160	171
No. of poles (P)	16	17	18	19	20	21	22	23	24	25	26	27	28	29	30
Terminal length (L)	182	193	204	215	226	237	248	259	270	281	292	303	314	325	336

See "DAV4 Rail length" at page 22.

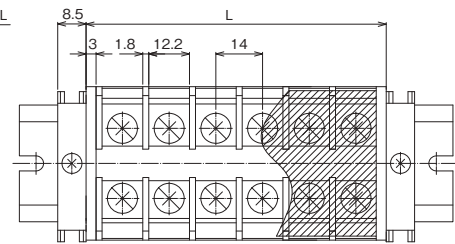
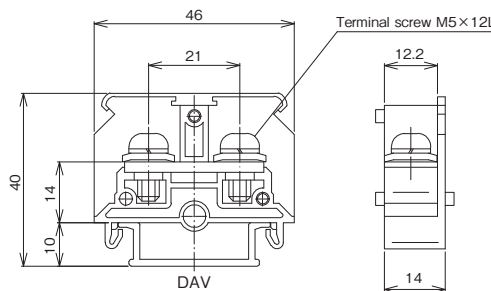
Terminal block	End plate	Cover	Name plate	Rail	Stopper	Short bar
PT-40 (11.0g)	PT-40L2 (2.15g)	CA-36	AM-10	DAV4	HDV-1 (17.8g)	SB11-※, □B11-※
Sales lot(100)	Sales lot(100)	Sales lot(20)	Sales lot(50)	Sales lot(100)	Sales lot(100)	—

※Short bar is option.

PT-80

M5/14mm² 75A

RoHS



Rating

Applicable wire / Rated current			UL, CSA	TÜV	Terminal screw	Tightening torque
5.5mm ²	8mm ²	14mm ²	AWG10~6(stranded)	AWG12~6(stranded)	M5×12L	2.0~3.0N·m
1000V/40A	1000V/50A	1000V/75A	600V/75A	600V/75A	±terminal block with SP	

Assembly terminal

(assembled at the factory and shipped)

Order format:

PTL-80-□P (□ : No. of poles)

Total length of terminal block (L) = Terminal width (14mm) × No. of poles (□P) + End plate × 2 (6mm)

No. of poles (P)	1	2	3	4	5	6	7	8	9	10	11	12	13	14	15
Terminal length (L)	20	34	48	62	76	90	104	118	132	146	160	174	188	202	216
No. of poles (P)	16	17	18	19	20	21	22	23	24	25	26	27	28	29	30
Terminal length (L)	230	244	258	272	286	300	314	328	342	356	370	384	398	412	426

See "DAV4 Rail length" at page 22.

Terminal block	End plate	Cover	Name plate	Rail	Stopper	Short bar
PT-80 (21.2g)	PT-80L (3.35g)	CA-40	AM-10	DAV4	HDV-1 (17.8g)	SB14-※, □B14-※
Sales lot(50)	Sales lot(50)	Sales lot(20)	Sales lot(50)	Sales lot(100)	Sales lot(100)	—

※Short bar is option.