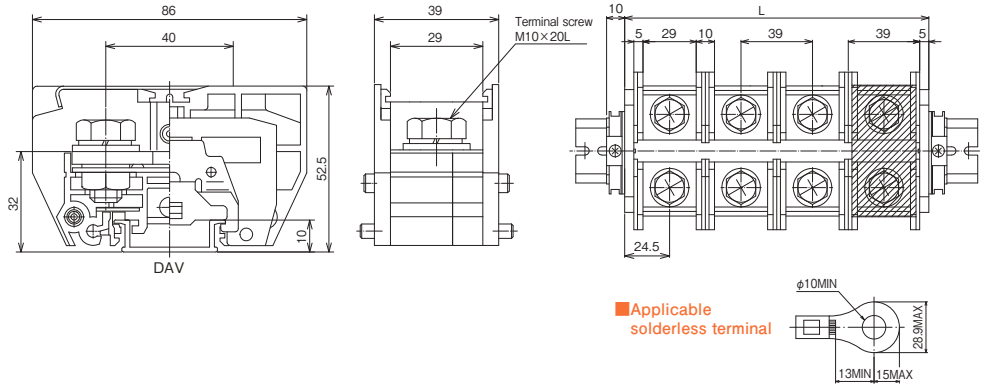


PT-200

M10/100mm² 240A



RoHS



■ Applicable solderless terminal

Rating

Applicable wire / Rated current			UL, CSA	TÜV	Terminal screw	Tightening torque
38mm ²	60mm ²	100mm ²	AWG2~4/0 (stranded)	AWG2~250 (stranded)	M10×20L ±hexagon bolt with SP, PW	10.0~14.7N·m
1000V/132A	1000V/175A	1000V/240A	600V/200A	660V/200A		

Assembly terminal

(assembled at the factory and shipped)

Total length of terminal block (L) = Terminal width (39mm) × No. of poles (□P) + End plate × 2 (10mm)

Order format:

PTL-200※-□P (□ : No. of poles)
 blank : standard cover
 -CP : safety cover

No. of poles (P)	1	2	3	4	5	6	7	8	9	10
Terminal length (L)	49	88	127	166	205	244	283	322	361	400

See "DAV4 Rail length" at page 22.

Terminal block	End plate	Standard cover	Safety cover	Name plate	Rail	Stopper	Short bar
PT-200 (184.4g)	PT-200L (9.5g)	CTC-200	CTCP-200	AP-12	DAV4	HDV-2	—
Sales lot(12)	Sales lot(1)	Sales lot(1)	Sales lot(1)	Sales lot(50)	Sales lot(100)	Sales lot(50)	—

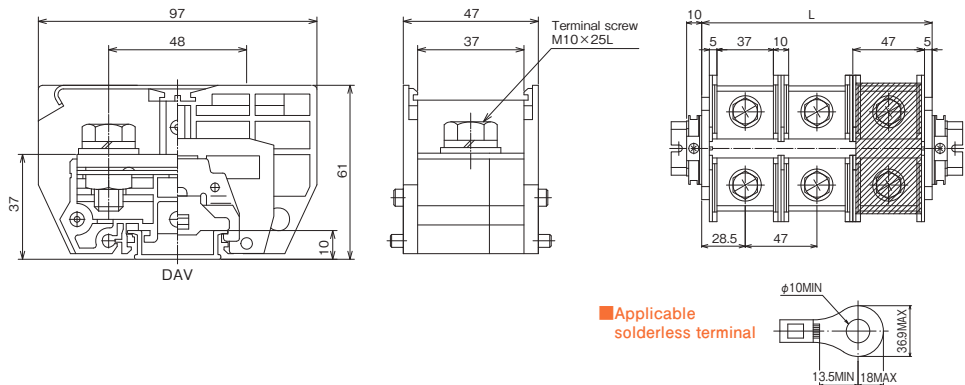
※No short bars.

PT-300

M10/150mm² 310A



RoHS



■ Applicable solderless terminal

Rating

Applicable wire / Rated current			UL, CSA	TÜV	Terminal screw	Tightening torque
60mm ²	100mm ²	150mm ²	AWG2/0~300 (MCM) (stranded)	AWG1/0~300 (MCM) (stranded)	M10×25L ±hexagon bolt with SP, PW	10.0~14.7N·m
1000V/175A	1000V/240A	1000V/310A	600V/300A	660V/300A		

Assembly terminal

(assembled at the factory and shipped)

Total length of terminal block (L) = Terminal width (47mm) × No. of poles (□P) + End plate × 2 (10mm)

Order format:

PTL-300※-□P (□ : No. of poles)
 blank : standard cover
 -CP : safety cover

No. of poles (P)	1	2	3	4	5	6	7	8	9	10
Terminal length (L)	57	104	151	198	245	292	339	386	433	480

See "DAV4 Rail length" at page 22.

Terminal block	End plate	Standard cover	Safety cover	Name plate	Rail	Stopper	Short bar
PT-300 (258.0g)	PT-200L (9.5g)	CTC-300	CTCP-300	AP-12	DAV4	HDV-2	—
Sales lot(8)	Sales lot(1)	Sales lot(1)	Sales lot(1)	Sales lot(50)	Sales lot(100)	Sales lot(50)	—

※No short bars.