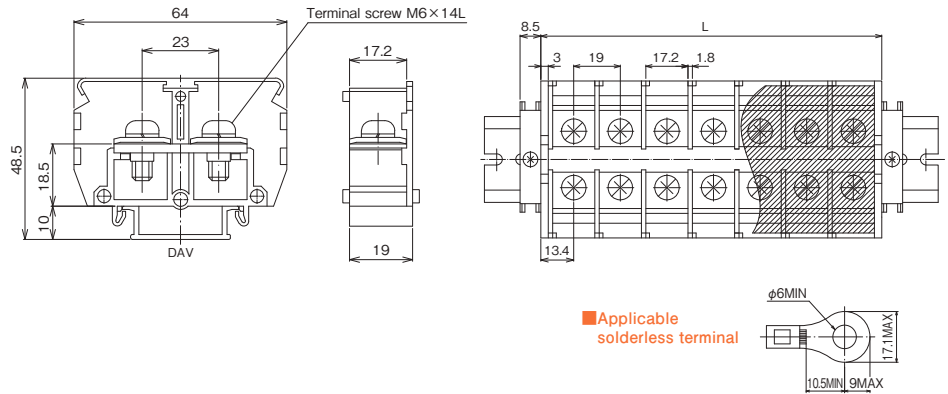




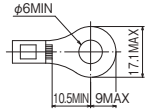
PT-90

M6/22mm² 95A

RoHS



■ Applicable solderless terminal



Rating

Applicable wire / Rated current			UL, CSA	TÜV	Terminal screw	Tightening torque
(8mm ²)	14mm ²	22mm ²	AWG8~4 (stranded)	AWG10~4 (stranded)	M6×14L	2.5~3.7N·m
1000V/(50A)	1000V/75A	1000V/95A	600V/95A	600V/95A	±terminal screw with SP	

※ (): It is possible to wire with applicable solderless terminal which is non-standard JIS.

Assembly terminal

(assembled at the factory and shipped)

Order format:

PTL-90-□P (□ : No. of poles)

Total length of terminal block (L) = Terminal width (19mm) × No. of poles (□P) + End plate × 2 (6mm)

No. of poles (P)	1	2	3	4	5	6	7	8	9	10	11	12	13	14	15
Terminal length (L)	25	44	63	82	101	120	139	158	177	196	215	234	253	272	291
No. of poles (P)	16	17	18	19	20	21	22	23	24	25	26	27	28	29	30
Terminal length (L)	310	329	348	367	386	405	424	443	462	481	500	519	538	557	576

See "DAV4 Rail length" at page 22.

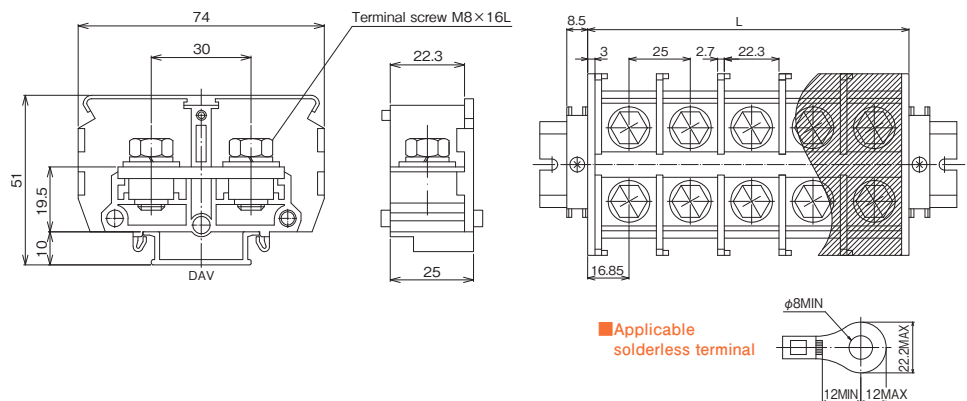
Terminal block	End plate	Cover	Name plate	Rail	Stopper	Short bar
PT-90 (39.2g)	PT-90L (5.6g)	CA-60 —	AM-10 —	DAV4 —	HDV-1 (17.8g)	— —
Sales lot (20)	Sales lot (20)	Sales lot (20)	Sales lot (50)	Sales lot (100)	Sales lot (100)	—

※ No short bars.

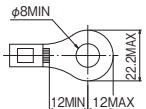
PT-150

M8/60mm² 175A

RoHS



■ Applicable solderless terminal



Rating

Applicable wire / Rated current			UL, CSA	TÜV	Terminal screw	Tightening torque
22mm ²	38mm ²	60mm ²	AWG4~2/0 (stranded)	AWG6~2/0 (stranded)	M8×16L	6.0~9.0N·m
1000V/95A	1000V/132A	1000V/175A	600V/150A	600V/160A	±hexagon bolt with SP, PW	

Assembly terminal

(assembled at the factory and shipped)

Order format:

PTL-150-□P (□ : No. of poles)

Total length of terminal block (L) = Terminal width (25mm) × No. of poles (□P) + End plate × 2 (6mm)

No. of poles (P)	1	2	3	4	5	6	7	8	9	10	11	12	13	14	15
Terminal length (L)	31	56	81	106	131	156	181	206	231	256	281	306	331	356	381
No. of poles (P)	16	17	18	19	20	21	22	23	24	25	26	27	28	29	30
Terminal length (L)	406	431	456	481	506	531	556	581	606	631	656	681	706	731	756

See "DAV4 Rail length" at page 22.

Terminal block	End plate	Cover	Name plate	Rail	Stopper	Short bar
PT-150 (77.5g)	PT-150L (7.45g)	CA-69 —	AM-10 —	DAV4 —	HDV-1 (17.8g)	— —
Sales lot (10)	Sales lot (10)	Sales lot (20)	Sales lot (50)	Sales lot (100)	Sales lot (100)	—

※ No short bars.