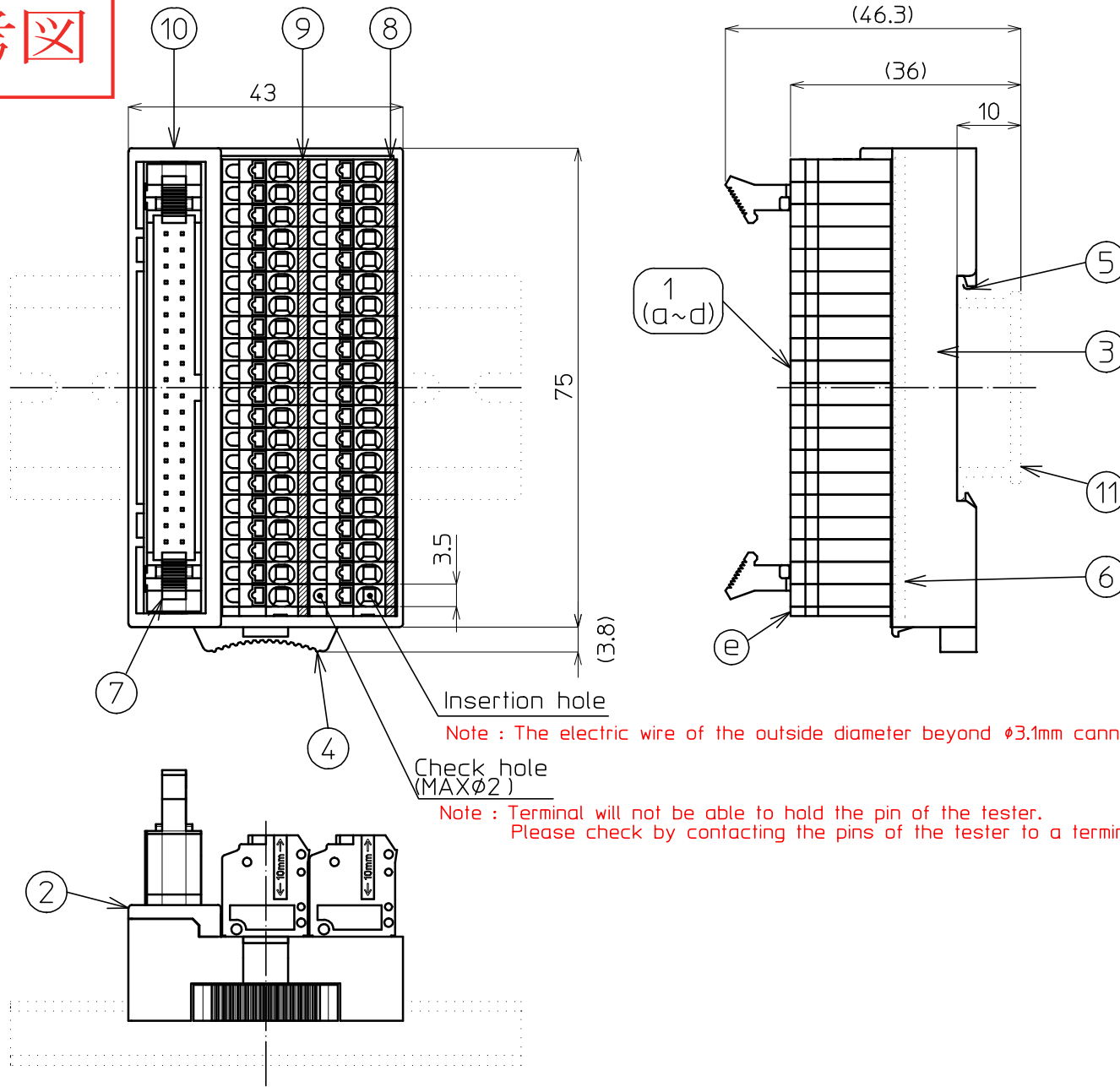


参考図

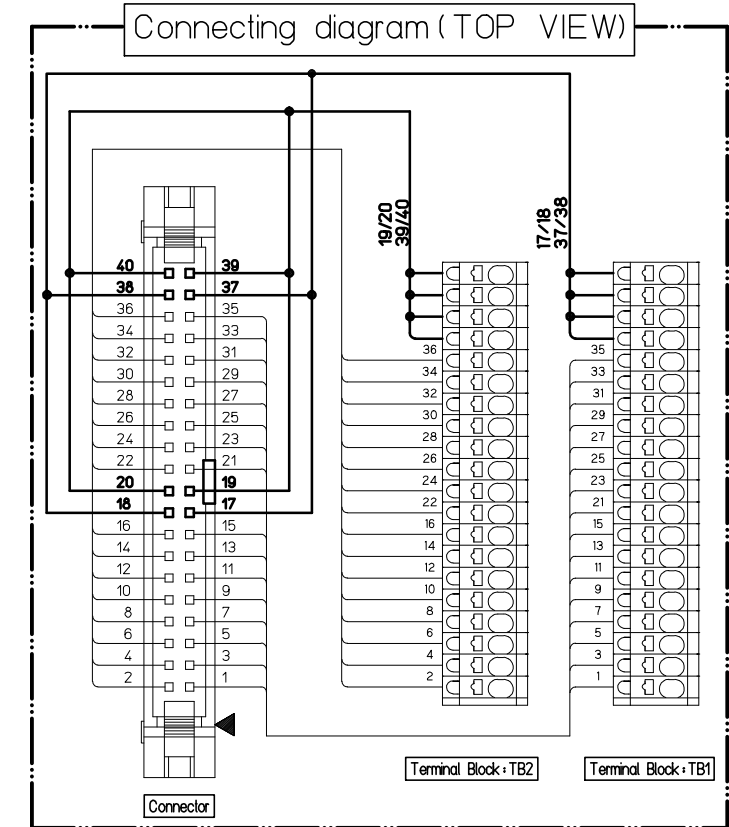


Note : The electric wire of the outside diameter beyond  $\phi$ 3.1mm cannot be used.

Note : Terminal will not be able to hold the pin of the tester.  
Please check by contacting the pins of the tester to a terminal.

The contents of printing

No.	⑨	⑧
	100 101 102 103 104 105 106 107 108 109 110 111 112 113 114 115	000 001 002 003 004 005 006 007 008 009 010 011 012 013 014 015
	+V	0V



Specification

No.	Description	Material	Size	Surface Treatment	Remarks	Quantity
1	Terminal Block 20P					2
a	Base	66Nylon(Gray)			UL94V-0	20set
b	Conductive Plate	Copper alloy		Sn		
c	Button	66Nylon(Orange)			UL94V-0	
d	Connecting Spring	SUS				
e	Side Plate	66Nylon(Gray)			UL94V-0	
2	Upper case	PBT (Ivory)			UL94V-0	1
3	Lower case	PBT (Ivory)			UL94V-0	1
4	Lock button	POM (yellow)				1
5	Spring	SUS				1
6	Substrate	Glass epoxy	t=1.6			1
7	Connector				HIROSE :HIF3BA-40PA-2.54DSA (63)	1
8	Name seal TB1					1
9	Name seal TB2					1
10	Seal of form					1
11	Rail DIN35mm				※ Optional	1

Rateds

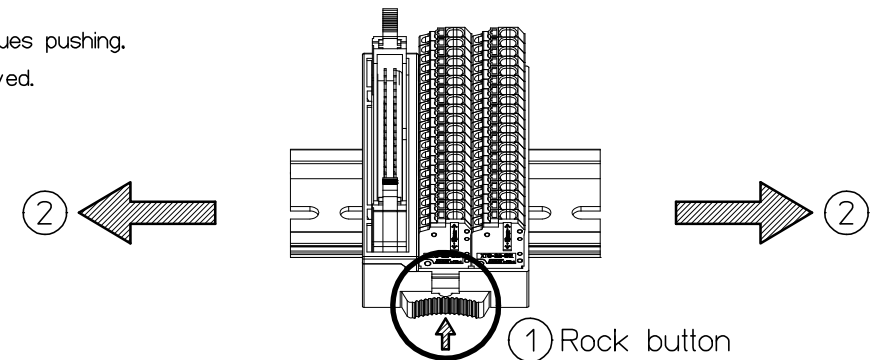
Rating voltage	50V	
Rating current	sig 0.5A / COM 2A	
Insulation resistance	100M $\Omega$ or above (With DC500V)	
Withstand voltage	AC500V / 1minute	
Connectable wire	Pressure terminal $\triangle$	0.14mm <sup>2</sup> ~ 0.75mm <sup>2</sup> / AWG26~AWG18 Conformity DIN46228-4 8~12mm
	Single	$\phi$ 0.3~ $\phi$ 1.3 9~10mm CABLE
	Twist	0.08mm <sup>2</sup> ~ 1.5mm <sup>2</sup> / MAX AWG28~AWG16 9~10mm CABLE
Operating ambient temperature	-15 $^{\circ}$ C~+60 $^{\circ}$ C(No freezing or condensation)	
Relative humidity	45~85%	

Weight APPROX.83g

How to move the unit attached to the DIN (35-mm width) rail

This unit is the structure which is fixable to a rail without using a stopper.  
When moving the unit fixed to the rail, it can move by pushing the button① of a figure.

- ① Rock button continues pushing.
- ② A unit can be moved.



⚠ Since a rail may be damaged when moved without pushing a lock button, please be careful of movement of a unit.

△	Applicable ferrule diameter change and connector change	2023/1/23	Furukori
改番	訂正記事	年月日	担当
REV.	DESCRIPTION OF REVISION	DATE	BY

承認 APPROVED 菅沼 2023/01/23	検閲 CHECKED 小松(亮) 2023/01/23	製図 DRAWING 古郡	設計 DESIGNED	名称 TITLE PCXV-1H40-TB40-03
東洋技研株式会社 TOYOGIKEN CO.,LTD.		標準 SIZE A3	單位 UNIT mm	尺度 SCALE 1:1
公差 TOLERANCE		図番 DRAWING No. TA15323-01		REV. SHEET 1/1