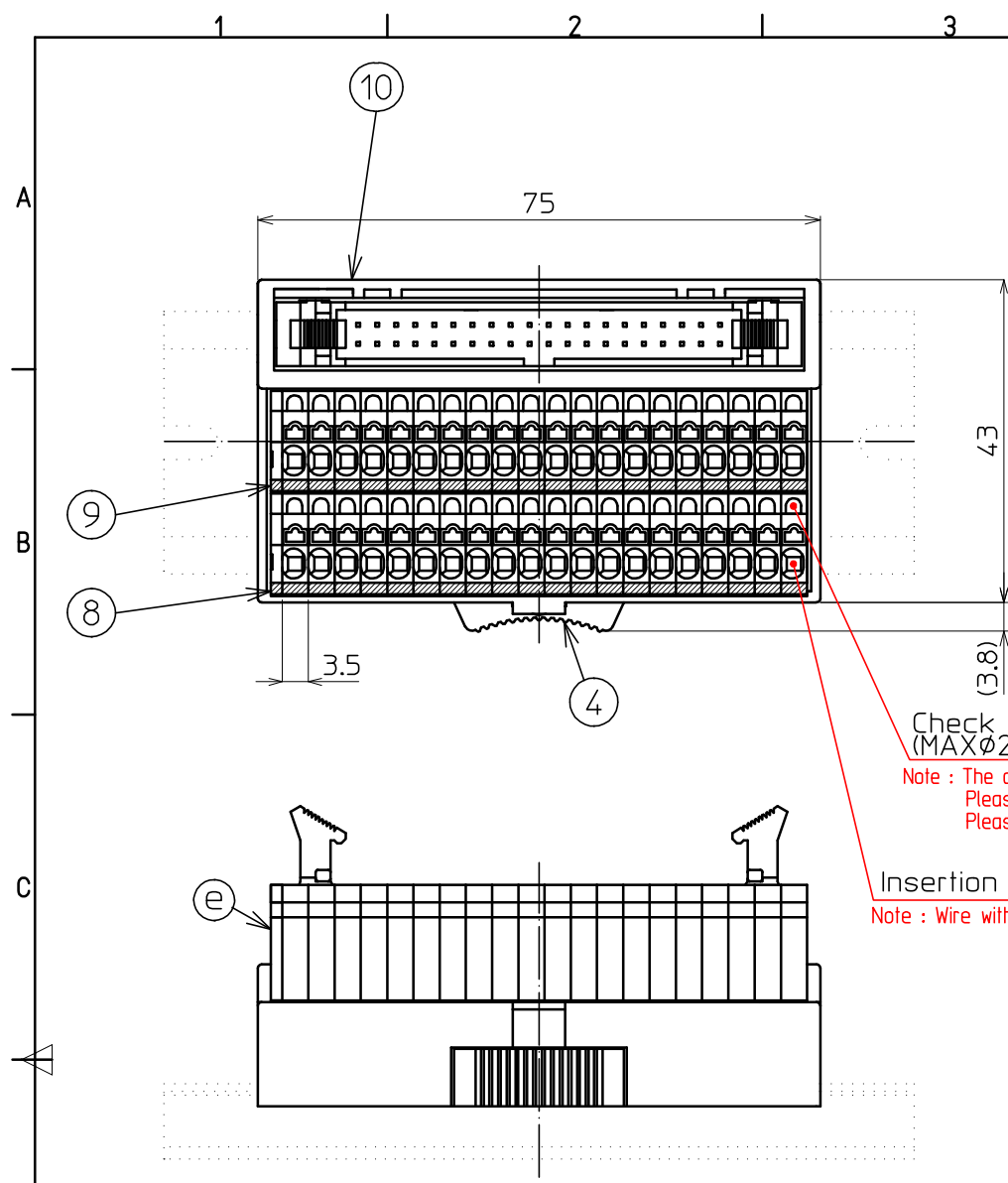
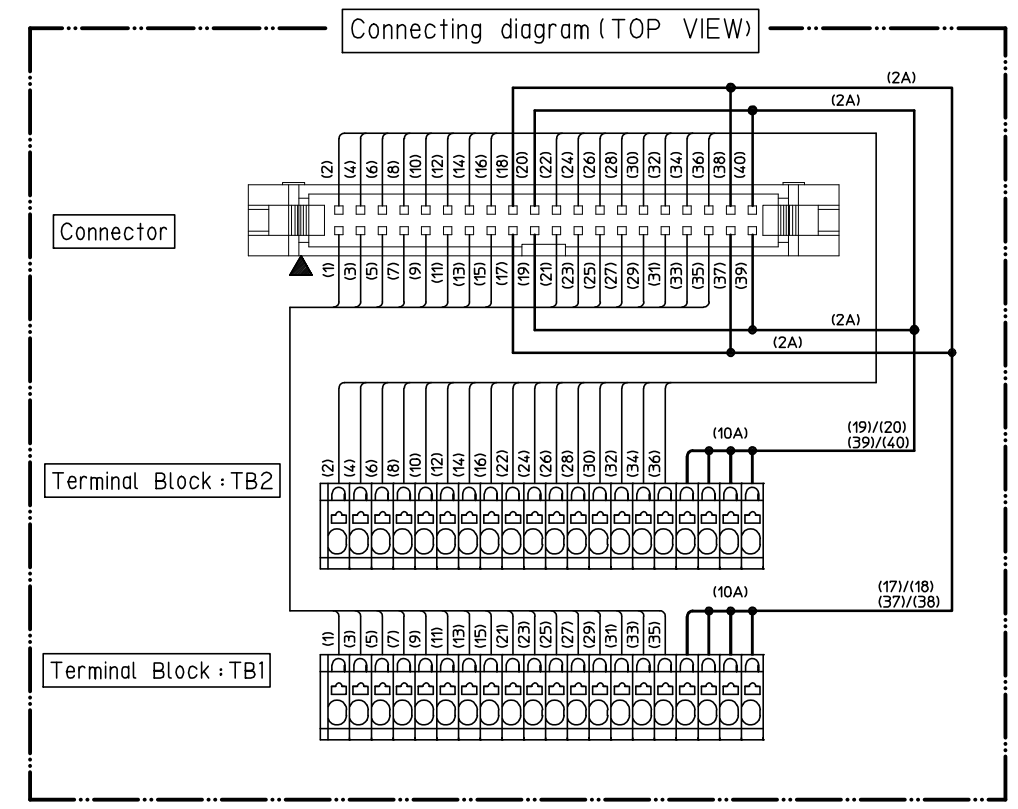
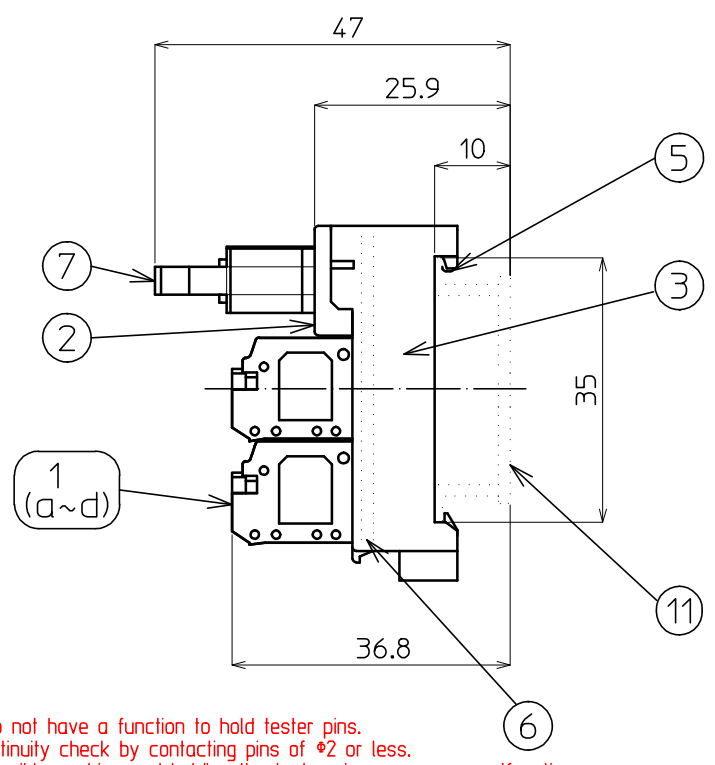


参考図



**Check hole (MAX Ø2)**  
 Note : The check holes do not have a function to hold tester pins.  
 Please use for continuity check by contacting pins of Ø2 or less.  
 Please note that forcibly pushing and holding the tester pins may cause malfunction.

**Insertion hole**  
 Note : Wire with insulation diameter of Ø3.2 or more cannot be used.



| No. | The contents of printing |     |     |     |     |     |     |     |     |     |     |     |     |     |     |     |    |
|-----|--------------------------|-----|-----|-----|-----|-----|-----|-----|-----|-----|-----|-----|-----|-----|-----|-----|----|
| ⑨   | 100                      | 101 | 102 | 103 | 104 | 105 | 106 | 107 | 108 | 109 | 110 | 111 | 112 | 113 | 114 | 115 | +V |
| ⑧   | 000                      | 001 | 002 | 003 | 004 | 005 | 006 | 007 | 008 | 009 | 010 | 011 | 012 | 013 | 014 | 015 | 0V |

Specification

| No. | Description        | Material        | Size  | Surface Treatment | Remarks                         | Quantity |
|-----|--------------------|-----------------|-------|-------------------|---------------------------------|----------|
| 1   | Terminal Block 20P |                 |       |                   |                                 | 2        |
| a   | Base               | 66Nylon(Gray)   |       | Sn                | UL94V-0                         | 20set    |
| b   | Conductive Plate   | Copper alloy    |       |                   |                                 |          |
| c   | Button             | 66Nylon(Orange) |       |                   | UL94V-0                         |          |
| d   | Connecting Spring  | SUS             |       |                   |                                 |          |
| e   | Side Plate         | 66Nylon(Gray)   |       |                   | UL94V-0                         |          |
| 2   | Upper case         | PBT (Ivory)     |       |                   | UL94V-0                         | 1        |
| 3   | Lower case         | PBT (Ivory)     |       |                   | UL94V-0                         | 1        |
| 4   | Lock button        | POM (yellow)    |       |                   |                                 | 1        |
| 5   | Spring             | SUS             |       |                   |                                 | 1        |
| 6   | Substrate          | Glass epoxy     | t=1.6 |                   |                                 | 1        |
| 7   | Connector          |                 |       |                   | HIROSE : HF3BA-40PA-254DSA (63) | 1        |
| 8   | Name seal TB1      |                 |       |                   |                                 | 1        |
| 9   | Name seal TB2      |                 |       |                   |                                 | 1        |
| 10  | Seal of form       |                 |       |                   |                                 | 1        |
| 11  | Rail DIN35mm       |                 |       |                   | * Optional                      | 1        |

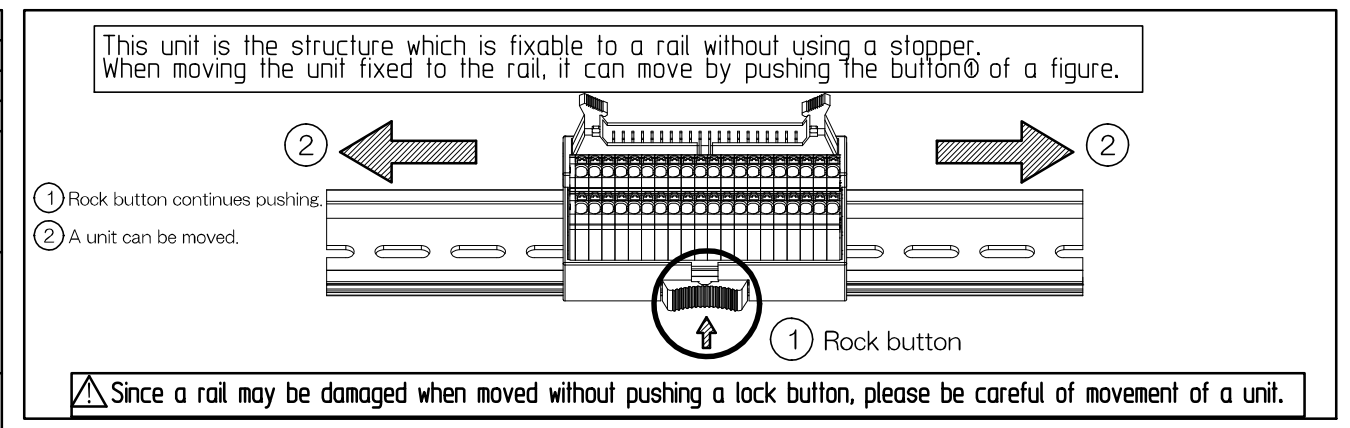
Rateds

|                               |   |
|-------------------------------|---|
| Rating voltage                | 50V   |
| Rating current                | Sig:0.5A COM:2A   |
| Insulation resistance         | 100MΩ or above (With DC500V)  |
| Withstand voltage             | AC500V / 1minute  |
| Connectable wire              | Pressure terminal<br>0.14mm <sup>2</sup> ~ 0.75mm <sup>2</sup> / AWG26~AWG18<br>Conformity DIN46228-4<br>8~12mm |
|                               | Single<br>Ø0.3~Ø1.3<br>9~10mm   |
|                               | Twist<br>0.08mm <sup>2</sup> ~ 1.5mm <sup>2</sup> / MAX<br>AWG28~AWG16<br>9~10mm                                |
| Operating ambient temperature | -15℃~+60℃(No freezing or condensation)  |
| Relative humidity             | 45~85%  |

\*Solid/Stranded wires with insulation of Ø3.2 or more cannot be used.

Weight 約83g

How to move the unit attached to the DIN (35-mm width) rail



| 承認 APPROVED    | 検閲 CHECKED   | 製図 DRAWING | 設計 DESIGNED    | 名称 TITLE         |
|----------------|--------------|------------|----------------|------------------|
| 菅沼             | 小松           | 宮澤         |                | PCX-1H40-TB40-03 |
| 2016. 2/15     | 2016. 2/15   |            |                | Specifications   |
| 製品コード CODE No. | 単位 UNIT      | 尺度 SCALE   |                |                  |
|                | mm           | 1 / 1      |                |                  |
|                | 公差 TOLERANCE |            | 図番 DRAWING No. | REV. SHEET       |
|                |              |            | TA16100-01     | 1 / 1            |

| 改番 REV. | 訂正記事 DESCRIPTION OF REVISION | 年月日 DATE | 担当 BY |
|---------|------------------------------|----------|-------|
|         |                              |          |       |