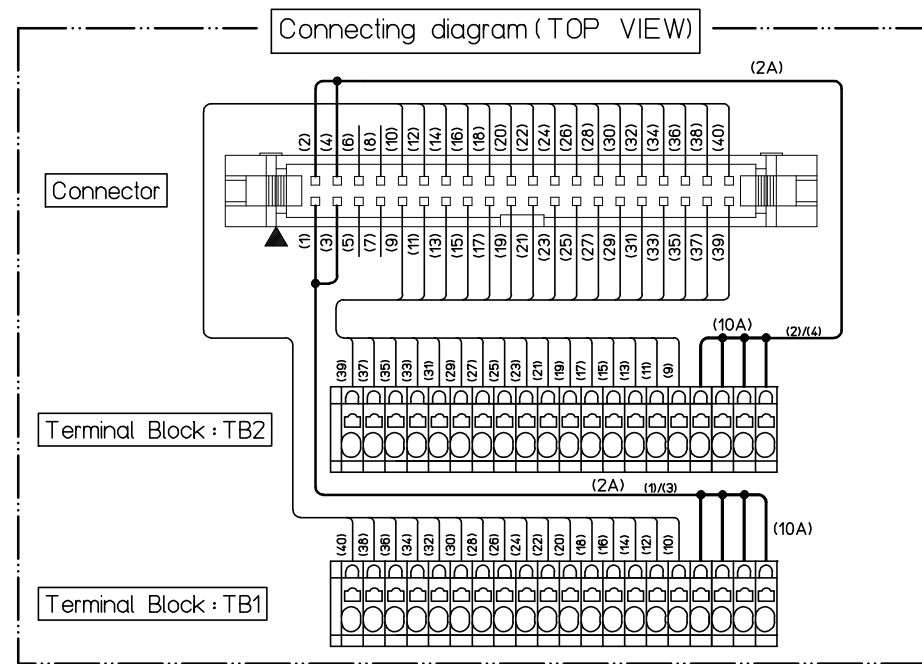
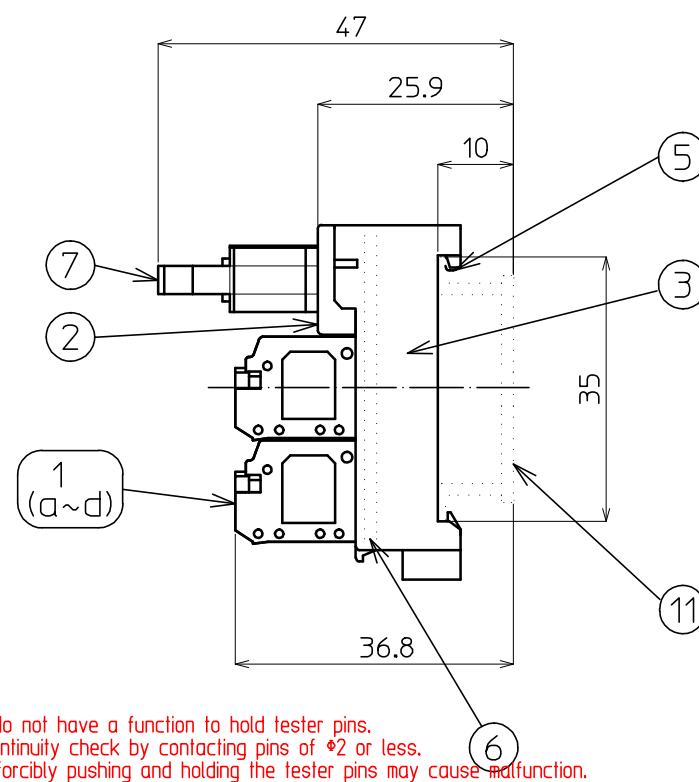
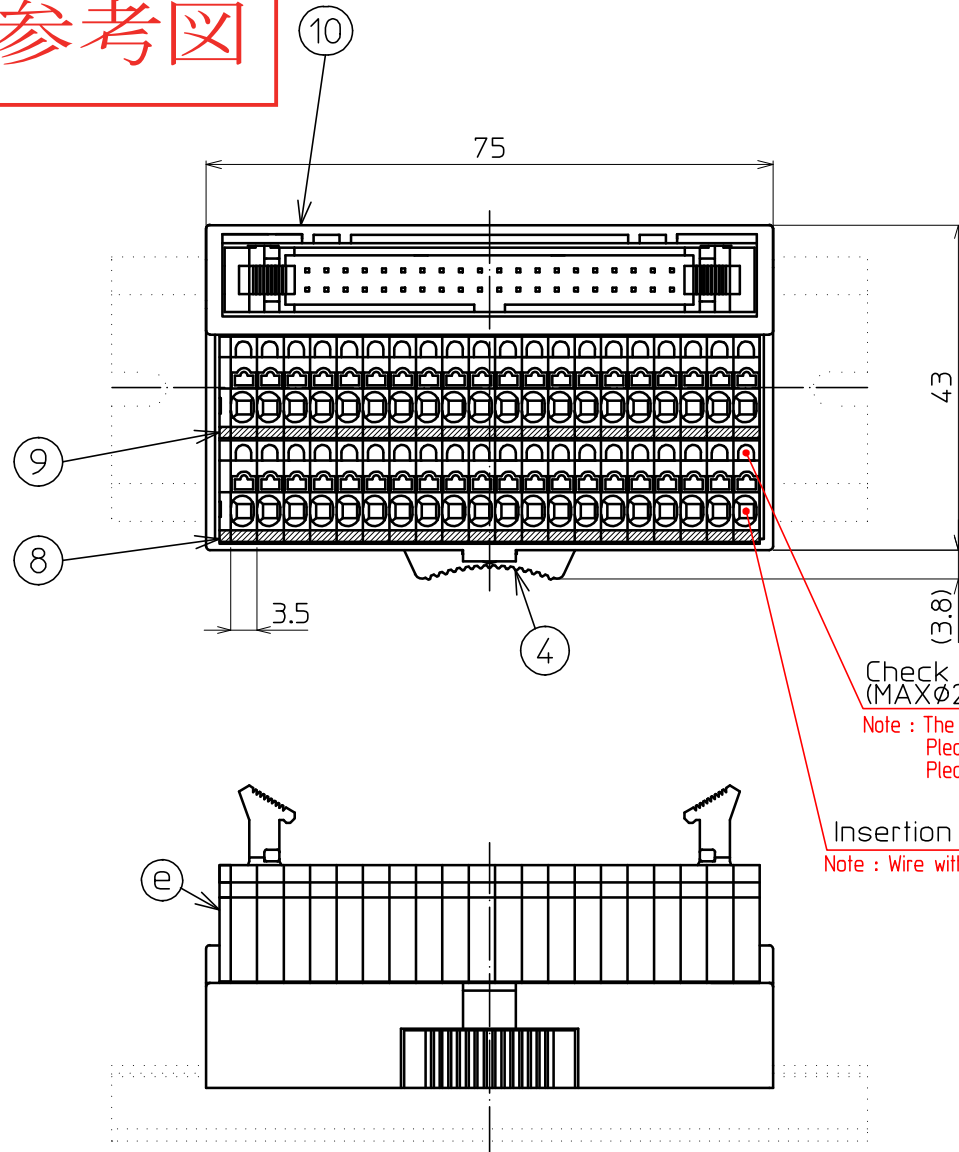


参考図



Check hole (MAX Ø2)
 Note : The check holes do not have a function to hold tester pins.
 Please use for continuity check by contacting pins of $\phi 2$ or less.
 Please note that forcibly pushing and holding the tester pins may cause malfunction.

Insertion hole
 Note : Wire with insulation diameter of $\phi 3.2$ or more cannot be used.

No.	The contents of printing																
⑨	10	11	12	13	14	15	16	17	18	19	1A	1B	1C	1D	1E	1F	+V
⑧	00	01	02	03	04	05	06	07	08	09	0A	0B	0C	0D	0E	0F	0V

Specification

No.	Description	Material	Size	Surface Treatment	Remarks	Quantity
1	Terminal Block 20P					2
a	Base	66Nylon(Gray)		Sn	UL94V-0	20set
b	Conductive Plate	Copper alloy				
c	Button	66Nylon(Orange)			UL94V-0	
d	Connecting Spring	SUS				
e	Side Plate	66Nylon(Gray)			UL94V-0	
2	Upper case	PBT (Ivory)			UL94V-0	1
3	Lower case	PBT (Ivory)			UL94V-0	1
4	Lock button	POM (yellow)				1
5	Spring	SUS				1
6	Substrate	Glass epoxy	t=1.6			1
7	Connector				HIROSE : HF3BA-40PA-254DSA (63)	1
8	Name seal TB1					1
9	Name seal TB2					1
10	Seal of form					1
11	Rail DIN35mm				* Optional	1

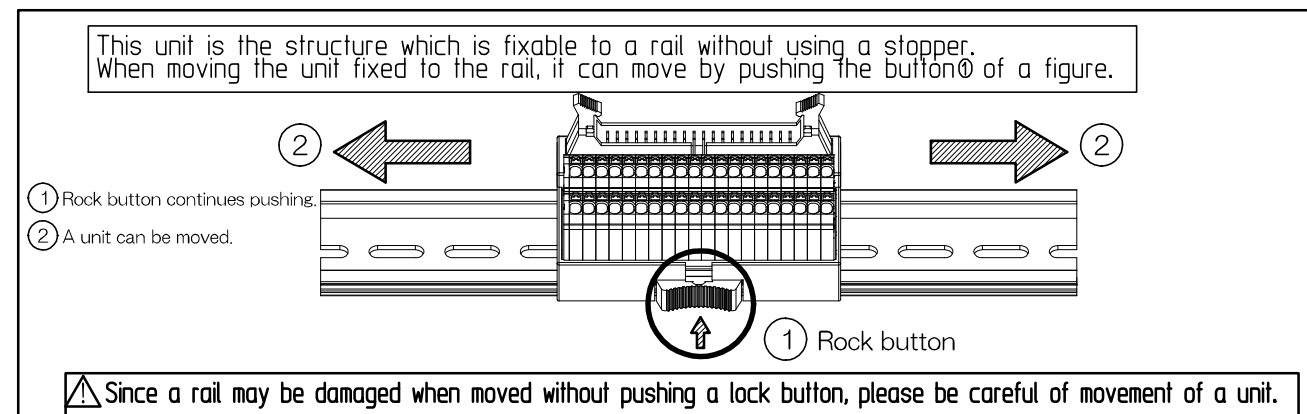
Rates

Rating voltage	50V
Rating current	Sig:0.5A COM:2A
Insulation resistance	100M Ω or above (With DC500V)
Withstand voltage	AC500V / 1minute
Connectable wire	Pressure terminal 0.14mm ² ~ 0.75mm ² / AWG26~AWG18 Conformity DIN46228-4 8~12mm
	Single $\phi 0.3 \sim \phi 1.3$ 9~10mm
	Twist 0.08mm ² ~ 1.5mm ² / MAX AWG28~AWG16 9~10mm
Operating ambient temperature	-15℃~+60℃(No freezing or condensation)
Relative humidity	45~85%

*Solid/Stranded wires with insulation of $\phi 3.2$ or more cannot be used.

Weight $\approx 83g$

How to move the unit attached to the DIN (35-mm width) rail



承認 APPROVED	検閲 CHECKED	製図 DRAWING	設計 DESIGNED	名称 TITLE
菅沼 2016. 2/15	小松 2016. 2/15	宮澤 2016. 2/15		PCX-1H40-TB40-M2-Y
製品コード CODE No.	単位 UNIT	尺度 SCALE	Specifications	
	mm	1 / 1		
公差 TOLERANCE		図番 DRAWING No. TA16094-01		
東洋技研株式会社 TOYO GIKEN CO.,LTD.		REV. SHEET 1 / 1		

改番 REV.	訂正記事 DESCRIPTION OF REVISION	年月日 DATE	担当 BY