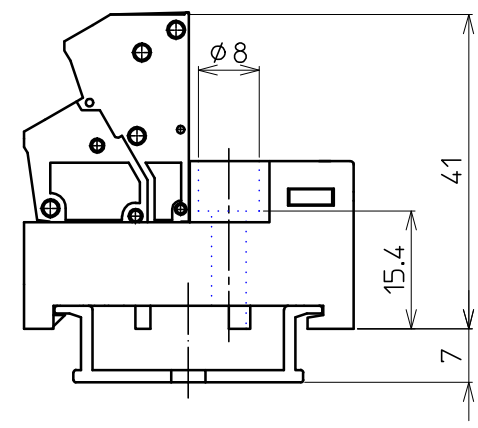
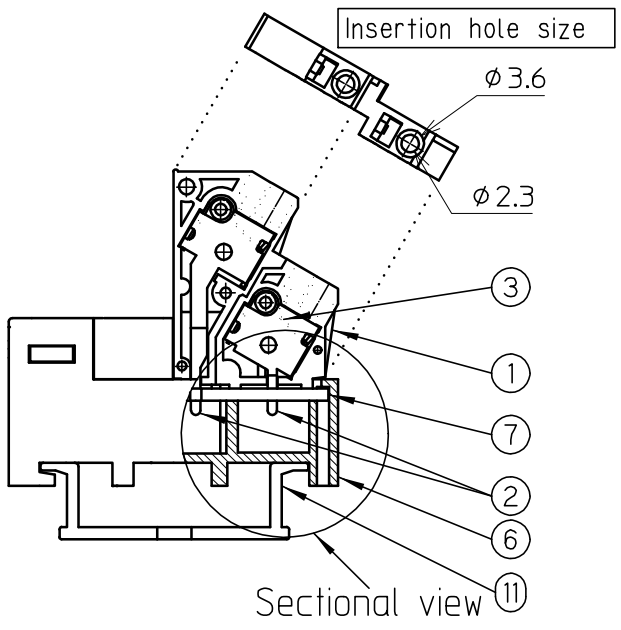
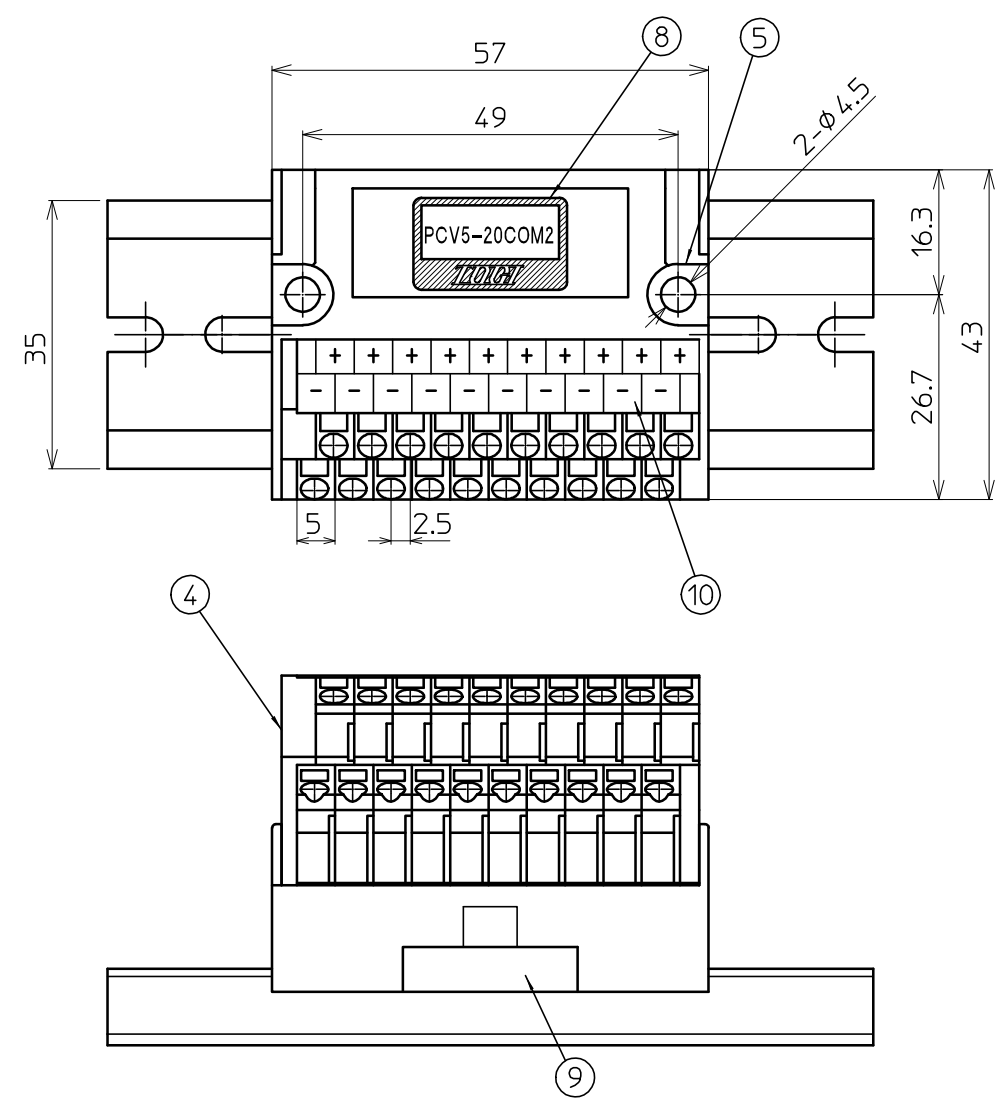


参考図



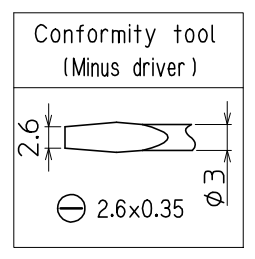
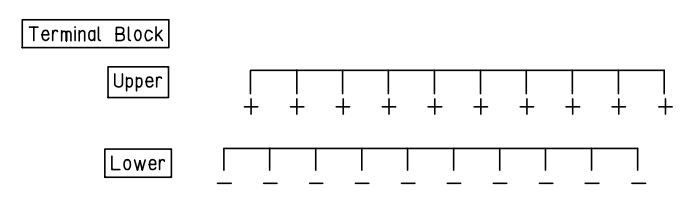
Specification

No.	Description	Material	Size	Surface Treatment	Remarks
1	Terminal Block	66Nylon(Glay)			UL94V-0
2	Conductive Plate A,B	Copper alloy	t=0.5	Sn	
3	Connecting Spring	SUS	t=0.3		
4	Side Plate	66Nylon(Glay)			UL94V-0
5	Upper case	Modified PPE (Glay)			UL94V-0
6	Lower case	Modified PPE (Glay)			UL94V-0
7	Substrate	Glass epoxy	t=1.6		
8	Product Seal	Synthetic paper			
9	Rail latch	POM (Orange)			
10	Name seal				
11	Rail	Aluminum	DIN35mm		DAV,DAS ※ Optional

Rateds

Rating voltage	125V
Rating current	10A
Insulation resistance	100M Ω or above (With DC500V)
Withstand voltage	AC600V / 1minute
Connectable wire	Pressure terminal 0.25mm ² ~ 1mm ² / AWG26~AWG18 Conformity DIN46228-4 8~10mm
	Single ϕ 0.5~ ϕ 1.6 9~10mm
	Twist 0.08mm ² ~ 1.25mm ² / MAX AWG28~AWG16 9~10mm
Operating ambient temperature	-15℃~+60℃(No freezing or condensation)

Connecting diagram



改番 REV.	訂正記事 DESCRIPTION OF REVISION	年月日 DATE	担当 BY

承認 APPROVED 菅沼 2012/12/19	検図 CHECKED 小松 2012/12/19	製図 DRAWNG 宮澤 2012.12/19	設計 DESIGNED	名称 TITLE PCV5-20COM2
製品コード CODE No.		単位 UNIT mm	尺度 SCALE 1 / 1	番 号 DRAWNG No. TA12374-01
東洋技研株式会社 TOYOGIEN CO.,LTD.			公差 TOLERANCE	REV. SHEET 1 / 1