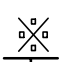


Part No.:PCV5-1H502 · PCV5-1J502 (Polarizing Slot:One on right and left sides, resp.)

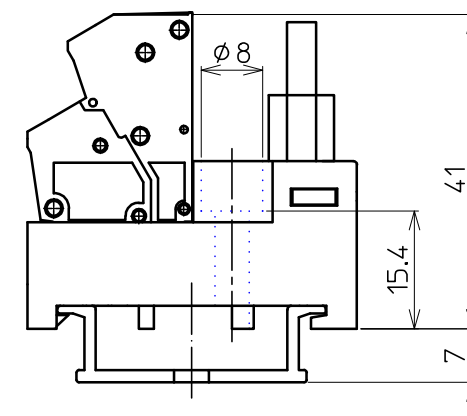
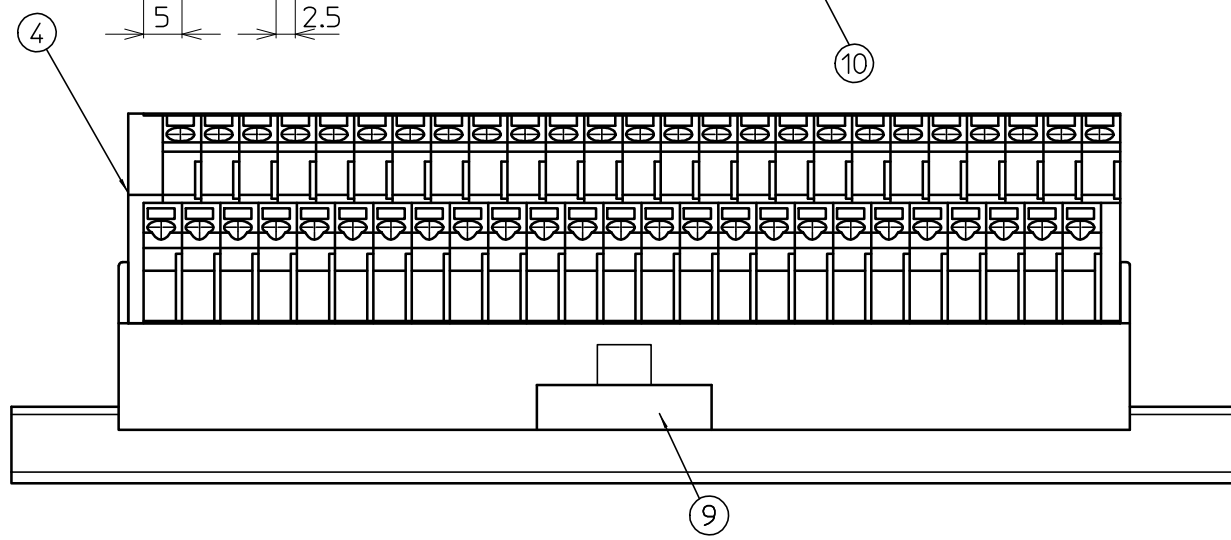
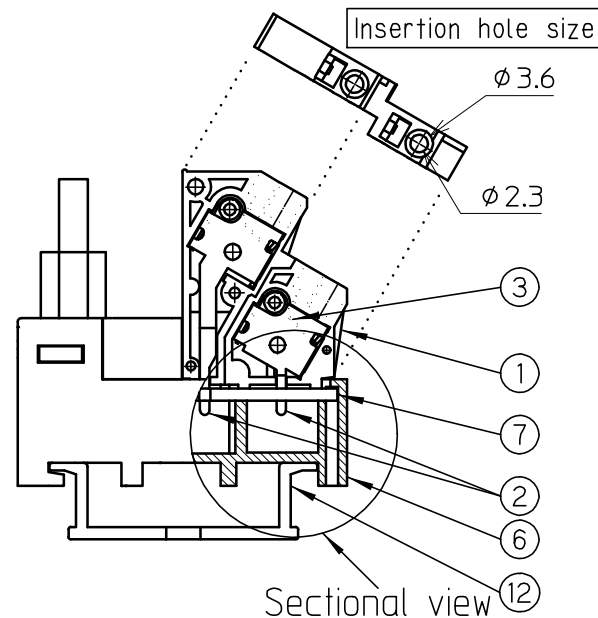
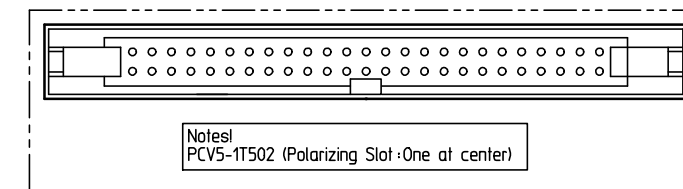
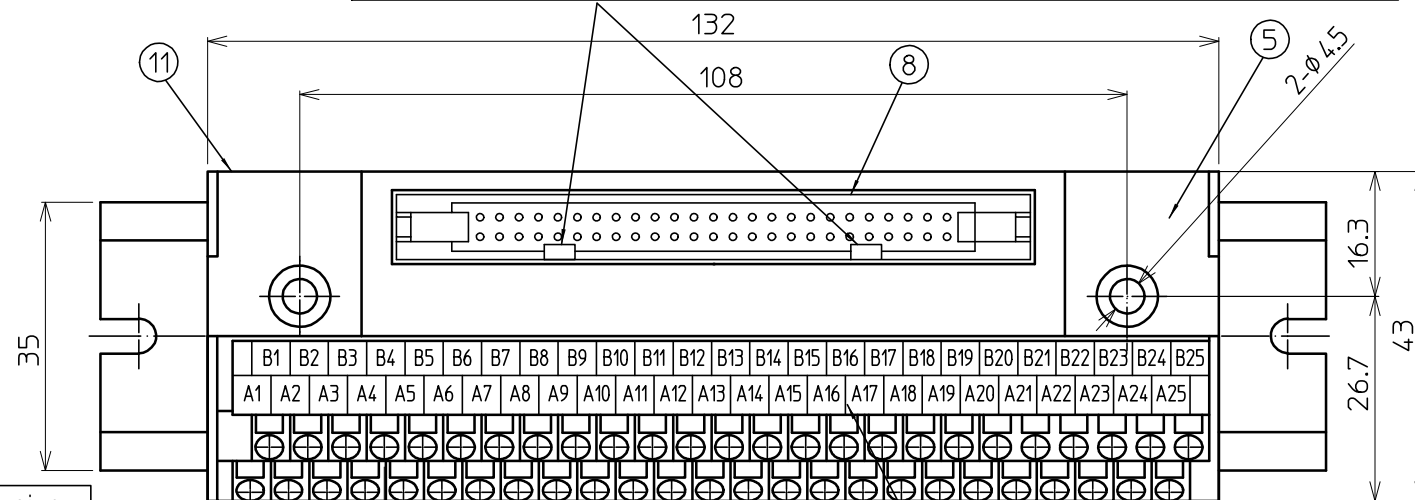
Order form

PCV5-1  502

Form : Maker
 H : HIROSE
 T : OMRON
 J : JAE



※1H and 1T only  certified product

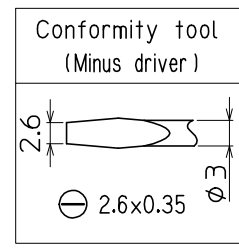


Specification

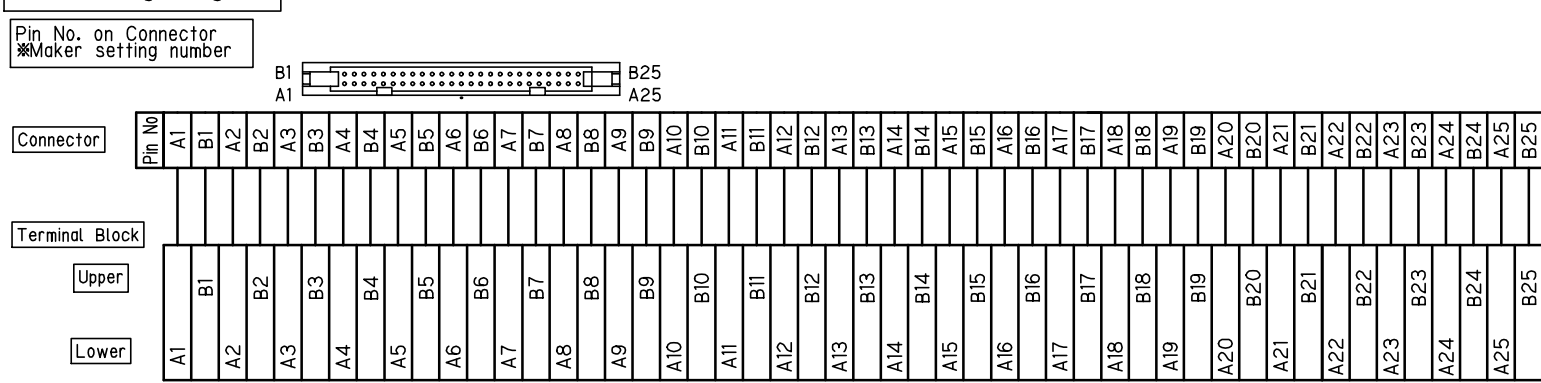
| No. | Description | Material | Size | Surface Treatment | Remarks |
|-----|----------------------|---------------------|---------|-------------------|---------------------|
| 1 | Terminal Block | 66Nylon(Glay) | | | UL94V-0 |
| 2 | Conductive Plate A.B | Copper alloy | t=0.5 | Sn | |
| 3 | Connecting Spring | SUS | t=0.3 | | |
| 4 | Side Plate | 66Nylon(Glay) | | | UL94V-0 |
| 5 | Upper case | Modified PPE (Glay) | | | UL94V-0 |
| 6 | Lower case | Modified PPE (Glay) | | | UL94V-0 |
| 7 | Substrate | Glass epoxy | t=1.6 | | |
| 8 | Connector | | | | Another description |
| 9 | Rail latch | POM (Orange) | | | |
| 10 | Name seal | | | | |
| 11 | Seal | | | | |
| 12 | Rail | Aluminum | DIN35mm | | DAV,DAS ※ Optional |

Rateds

| | |
|-------------------------------|--|
| Rating voltage | 125V |
| Rating current | 1A |
| Insulation resistance | 100M Ω or above (With DC500V) |
| Withstand voltage | AC600V / 1minute |
| Connectable wire | Pressure terminal 0.25mm ² ~ 1mm ² / AWG26~AWG18 Conformity DIN46228-4 8~10mm |
| | Single ϕ 0.5~ ϕ 1.6 9~10mm |
| | Twist 0.08mm ² ~ 1.25mm ² / MAX AWG28~AWG16 9~10mm |
| Operating ambient temperature | -15 \circ C~+60 \circ C(No freezing or condensation) |



Connecting diagram



Mounting connector

| Terminal type | Connector type | Polarizing Slot |
|---------------|-----------------------------------|-----------------------------------|
| PCV5-1H502 | HIF3BA-50PA-2.54DSA (63) (HIROSE) | One on right and left sides, resp |
| PCV5-1J502 | PS-50PE-D4T1-LP1(JAE) | One on right and left sides, resp |
| PCV5-1T502 | XG4A-5031(OMRON) | One at center |

参考図

| 改番 REV. | 訂正記事 DESCRIPTION OF REVISION | 年月日 DATE | 担当 BY |
|---------|------------------------------|----------|-------|
| | | | |

| | | | | |
|---------------------------------|--------------------------------|--------------------------------|---------------------|--|
| 承認 APPROVED 菅沼 2012/12/19 | 検図 CHECKED 小松 2012/12/19 | 製図 DRAWING 宮澤 2012.12/19 | 設計 DESIGNED | 名称 TITLE PCV5-1※502 Specifications |
| 製品コード CODE No. | | 単位 UNIT mm | 尺度 SCALE 1 / 1 | 図番 DRAWNG No. TA12350-01 |
| 公差 TOLERANCE | | | REV. SHEET 1 / 1 | |

TOYOGIKEN 東洋技研株式会社 TOYOGIKEN CO.,LTD.