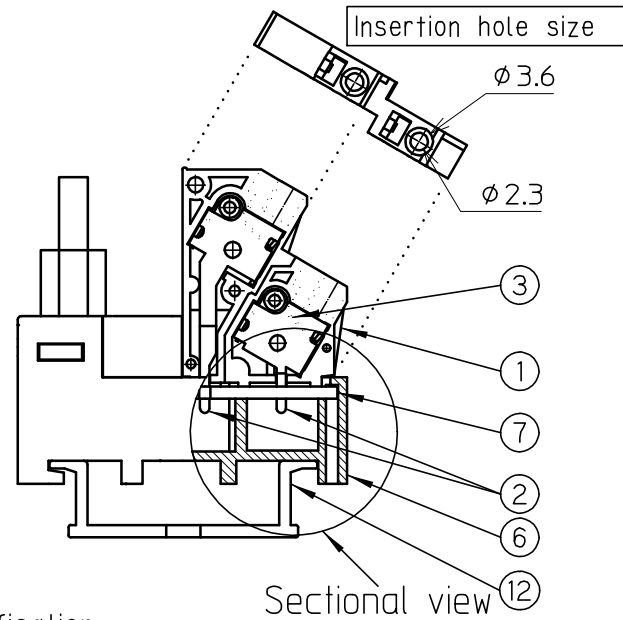
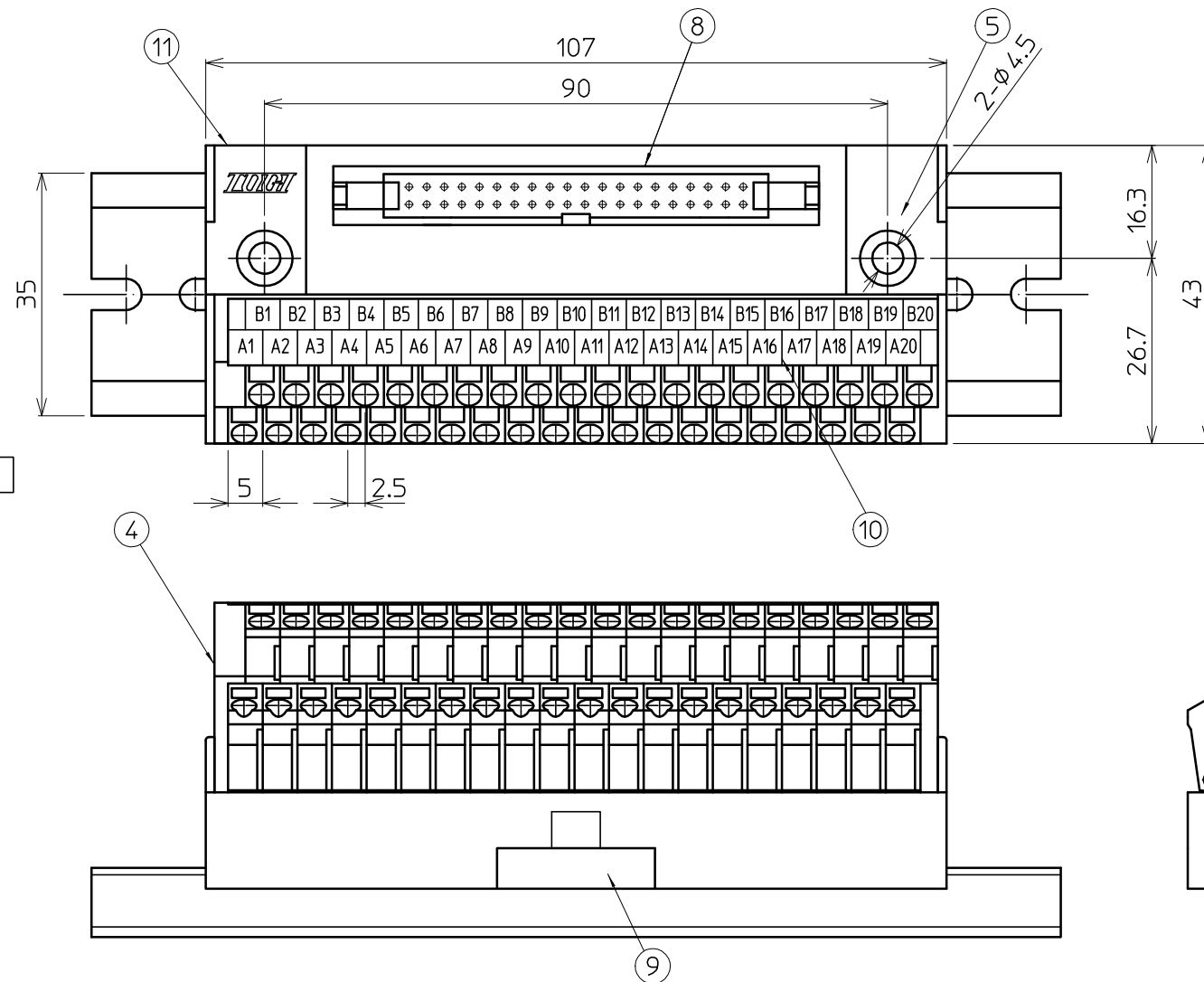


Order form  
PCV5-1 ※ 402

Form : Maker  
H : HIROSE  
T : OMRON  
J : JAE



※1H and 1T only certified product



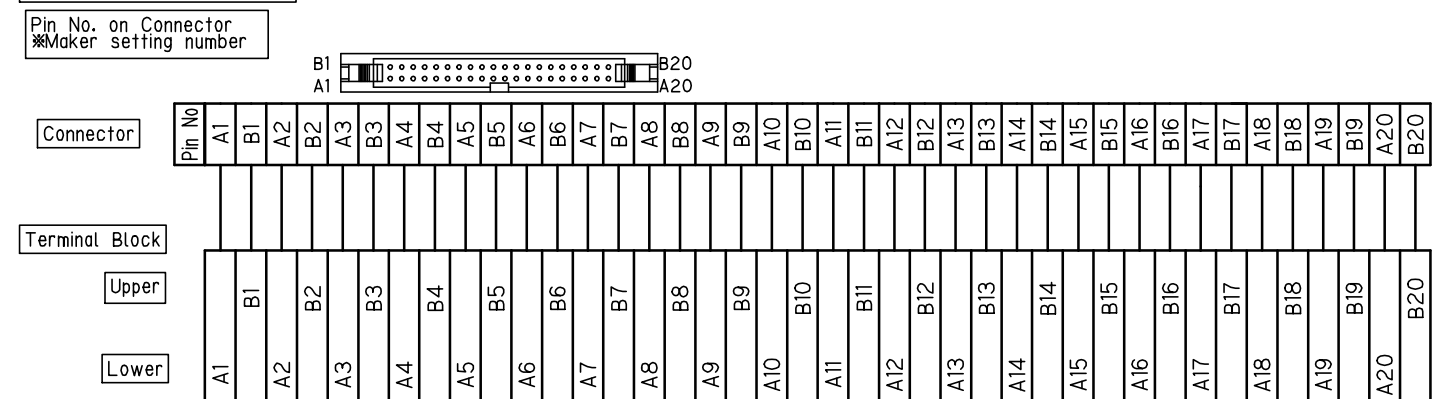
Specification

No.	Description	Material	Size	Surface Treatment	Remarks
1	Terminal Block	66Nylon(Glay)			UL94V-0
2	Conductive Plate A.B	Copper alloy	t=0.5	Sn	
3	Connecting Spring	SUS	t=0.3		
4	Side Plate	66Nylon(Glay)			UL94V-0
5	Upper case	Modified PPE (Glay)			UL94V-0
6	Lower case	Modified PPE (Glay)			UL94V-0
7	Substrate	Glass epoxy	t=1.6		
8	Connector				Another description
9	Rail latch	POM (Orange)			
10	Name seal				
11	Seal				
12	Rail	Aluminum	DIN35mm		DAV,DAS ※ Optional

Rateds

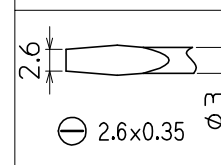
Rating voltage	125V
Rating current	1A
Insulation resistance	100MΩ or above (With DC500V)
Withstand voltage	AC600V / 1minute
Pressure terminal	0.25mm <sup>2</sup> ~ 1mm <sup>2</sup> / AWG26~AWG18 Conformity DIN46228-4 8~10mm
Connectable wire	Single φ0.5~φ1.6 9~10mm CABLE
	Twist 0.08mm <sup>2</sup> ~ 1.25mm <sup>2</sup> / MAX AWG28~AWG16 9~10mm CABLE
Operating ambient temperature	-15℃~+60℃(No freezing or condensation)

Connecting diagram



参考図

Conformity tool (Minus driver)



Mounting connector

Terminal type	Connector type
PCV5-1H402	HIF3BA-40PA-2.54DSA (63) (HIROSE)
PCV5-1J402	PS-40PE-D4T1-LP1 (JAE)
PCV5-1T402	XG4A-4031 (OMRON)

承認 APPROVED 菅沼 2012/12/19	検図 CHECKED 小松 2012/12/19	製図 DRAWING 宮澤 2012.12/19	設計 DESIGNED	名称 TITLE PCV5-1※402 Specifications
製品コード CODE No.		単位 UNIT mm	尺度 SCALE 1 / 1	図番 DRAWNG No. TA12349-01
東洋技研株式会社 TOYOGIKEN CO.,LTD.			公差 TOLERANCE	REV. SHEET 1 / 1

改番 REV.	訂正記事 DESCRIPTION OF REVISION	年月日 DATE	担当 BY