

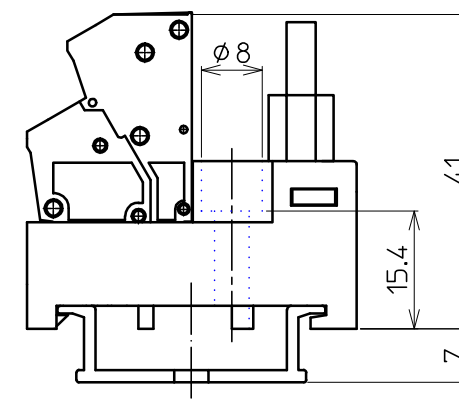
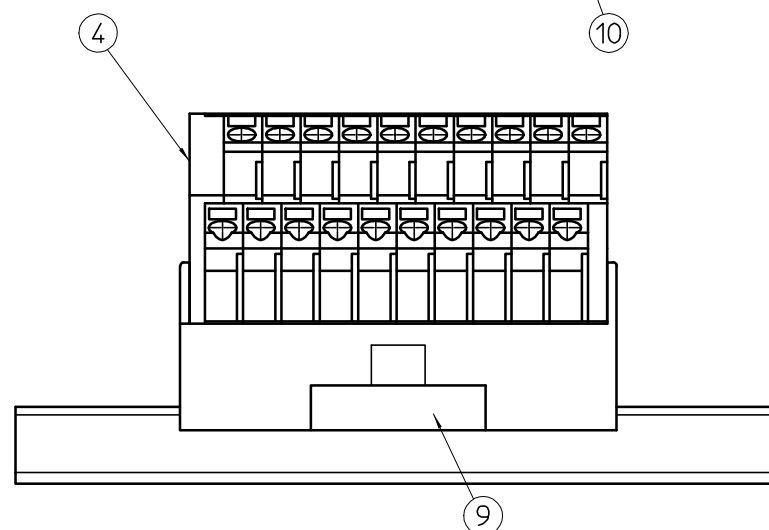
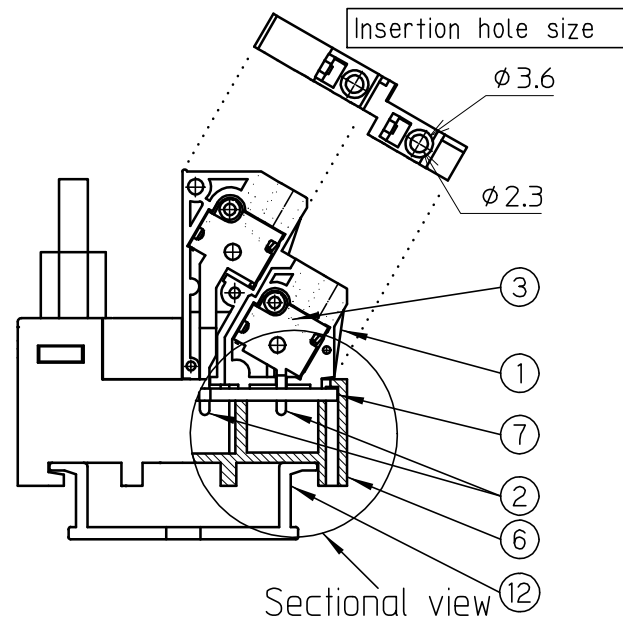
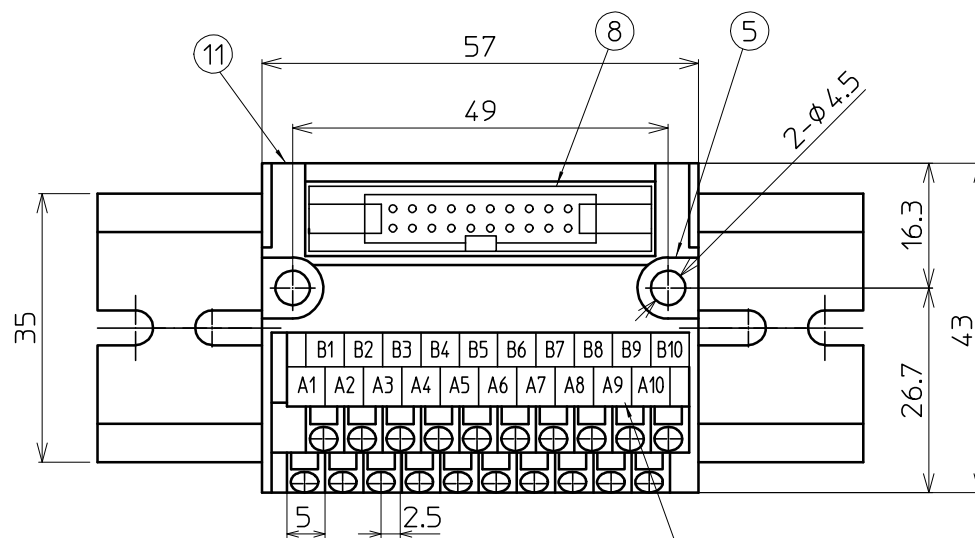
Order form

PCV5-1 ※ 202

Form : Maker
 H : HIROSE
 T : OMRON
 J : JAE



※1H and 1T only certified product



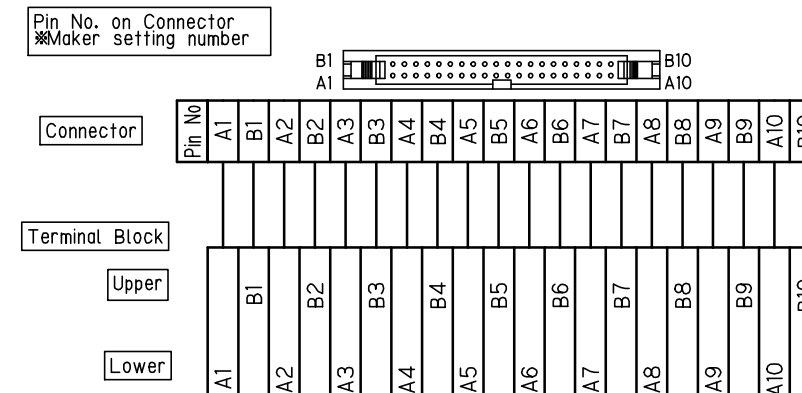
Specification

No.	Description	Material	Size	Surface Treatment	Remarks
1	Terminal Block	66Nylon(Glay)			UL94V-0
2	Conductive Plate A,B	Copper alloy	t=0.5	Sn	
3	Connecting Spring	SUS	t=0.3		
4	Side Plate	66Nylon(Glay)			UL94V-0
5	Upper case	Modified PPE (Glay)			UL94V-0
6	Lower case	Modified PPE (Glay)			UL94V-0
7	Substrate	Glass epoxy	t=1.6		
8	Connector				Another description
9	Rail latch	POM (Orange)			
10	Name seat				
11	Seal				
12	Rail	Aluminum	DIN35mm		DAV,DAS ※ Optional

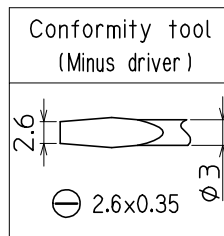
Rates

Rating voltage	125V
Rating current	1A
Insulation resistance	100MΩ or above (With DC500V)
Withstand voltage	AC600V / 1minute
Connectable wire	Pressure terminal 0.25mm ² ~ 1mm ² / AWG26~AWG18 Conformity DIN46228-4 8~10mm
	Single φ0.5~φ1.6 9~10mm
	Twist 0.08mm ² ~ 1.25mm ² / MAX AWG28~AWG16 9~10mm
Operating ambient temperature	-15℃~+60℃(No freezing or condensation)

Connecting diagram



参考図



Mounting connector

Terminal type	Connector type
PCV5-1H202	HIF3BA-20PA-2.54DSA (63) (HIROSE)
PCV5-1J202	PS-20PE-D4T1-LP1 (JAE)
PCV5-1T202	XG4A-2031 (OMRON)

承認 APPROVED 菅沼 2012/12/19	検図 CHECKED 小松 2012/12/19	製図 DRAWING 宮澤 2012.12/19	設計 DESIGNED	名称 TITLE PCV5-1※202
製品コード CODE No.		単位 UNIT mm	尺度 SCALE 1/1	Specifications
東洋技研株式会社 TOYOGIKEN CO.,LTD.		公差 TOLERANCE	図番 DRAWING No. TA12347-01	REV. SHEET 1/1

改番 REV.	訂正記事 DESCRIPTION OF REVISION	年月日 DATE	担当 BY