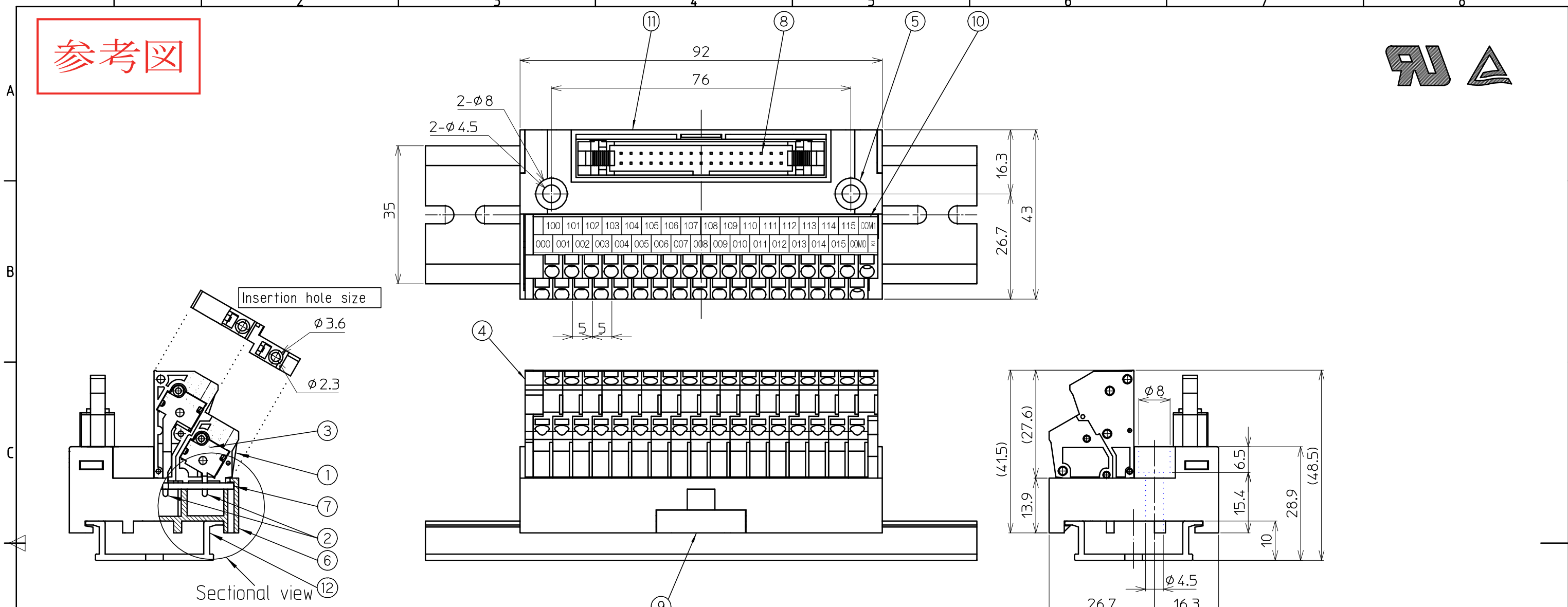


参考図

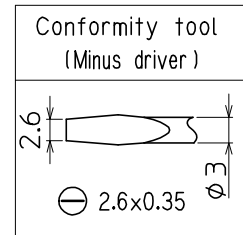


Specification

No.	Description	Material	Size	Surface Treatment	Remarks
1	Terminal Block	66Nylon(Glay)			UL94V-0
2	Conductive Plate A,B	Copper alloy	t=0.5	Sn	
3	Connecting Spring	SUS	t=0.3		
4	Side Plate	66Nylon(Glay)			UL94V-0
5	Upper case	Modified PPE (Glay)			UL94V-0
6	Lower case	Modified PPE (Glay)			UL94V-0
7	Substrate	Glass epoxy	t=1.6		
8	Connector				HIF3BA-34PA-2.54DSA(63)(HIROSE)
9	Rail latch	POM (Orange)			
10	Name seal				
11	Seal				
12	Rail	Aluminum	DIN35mm		DAV,DAS ※ Optional

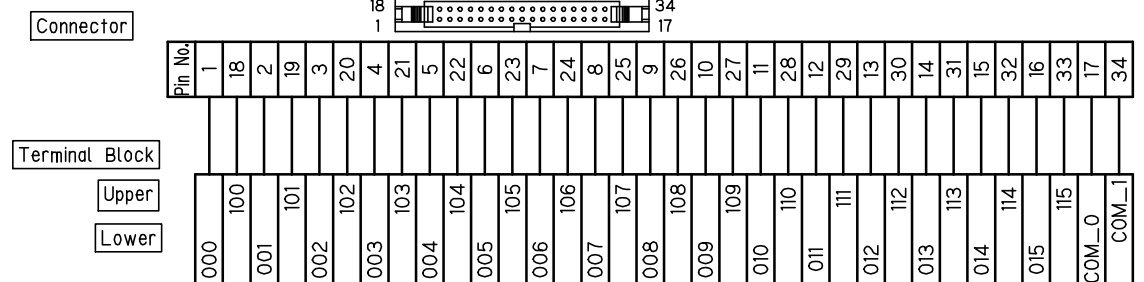
Rateds

Rating voltage	125V
Rating current	Sig :1A COM :2A
Insulation resistance	100M Ω or above (With DC500V)
Withstand voltage	AC600V / 1minute
Connectable wire	Pressure terminal 0.25mm ² ~ 1mm ² / AWG26~AWG18 Conformity DIN46228-4 8~10mm
	Single ϕ 0.5~ ϕ 1.6 9~10mm
	Twist 0.08mm ² ~ 1.25mm ² / MAX AWG28~AWG16 9~10mm
Operating ambient temperature	-10 $^{\circ}$ C~+60 $^{\circ}$ C(No freezing or condensation)



Connecting diagram

Pin No. on Connector
※Maker setting number



改番 REV.	訂正記事 DESCRIPTION OF REVISION	年月日 DATE	担当 BY

承認 APPROVED 菅沼 2012/12/19	検図 CHECKED 小松 2012/12/19	製図 DRAWNG 宮澤 2012.12/19	設計 DESIGNED	名称 TITLE PCV5-1H342-TB34-K1
製品コード CODE No.		単位 UNIT mm	尺度 SCALE 1 / 1	Specifications
公差 TOLERANCE		東洋技研株式会社 TOYOGIEN CO.,LTD.	図番 DRAWNG No. TA12358-01	REV. SHEET 1 / 1