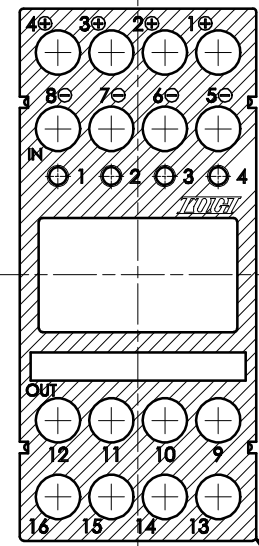
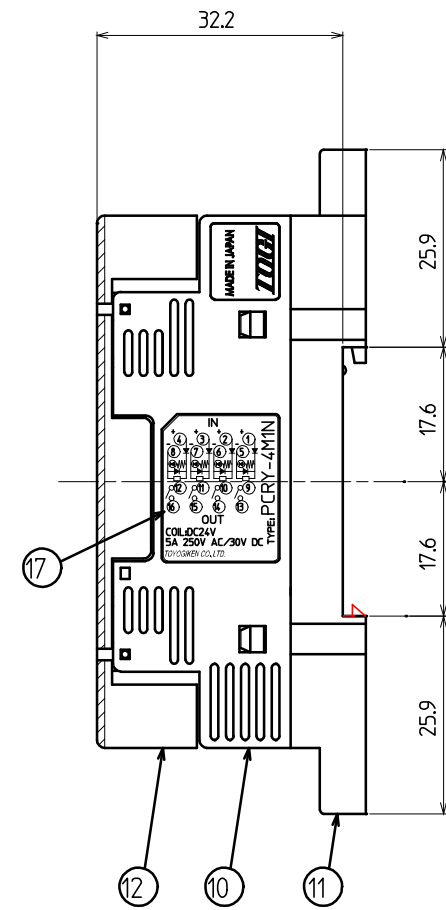
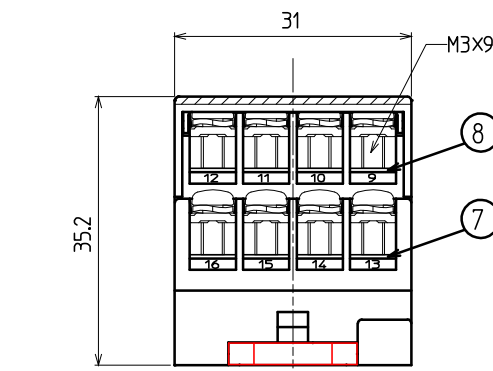
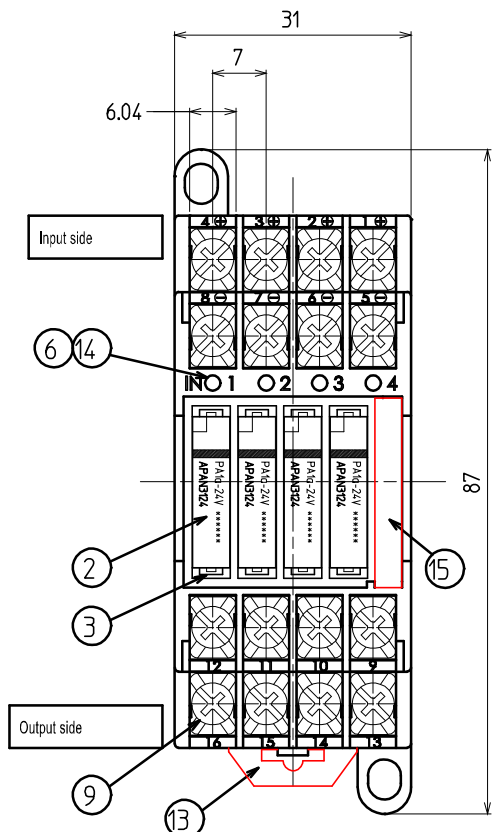


Dimensions



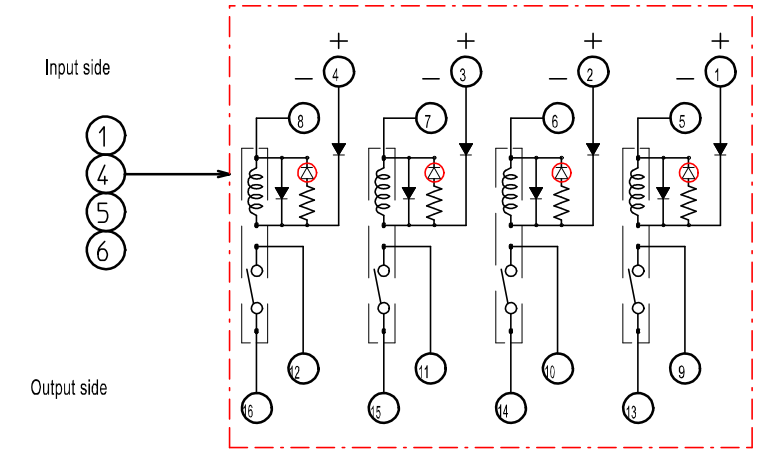
SAFETY COVER



2-4.3 dia.holes
or M4 screw

Panel cutout

Circuit View (Top View)



Rated

Input rating per relay	
Rated input voltage	24V DC
Input current	Approx. 7.6mA
Output rating per relay	
Rated control capacity (resistive load)	5A 250V AC, 5A 30V DC
Max allowable contact power (resistive load)	1,250VA (AC), 150W (DC)
Max allowable contact voltage	250V AC, 30V DC
Max allowable contact current	5A

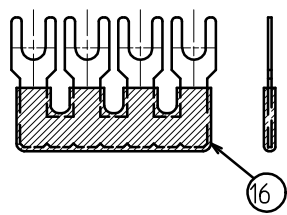
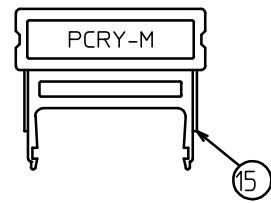
Specifications

No.	Description	Type	Material	Quantity	Remarks
1	Substrate	PCRY-4M1	Glass-epoxy	1	t=1.6
2	Relay	APAN3124		4	Panasonic
3	Relay socket	SA1a-S1		4	Panasonic
4	Diode			8	
5	Resistance			4	
6	LED			4	
7	Conductive Plate a		C2680R	8	t=0.8 Sn PLATING
8	Conductive Plate b		C2680R	8	t=0.8 Sn PLATING
9	Connecting Screw M3x9.5L		SWRM	16	±Free terminal screw with spring
10	Upper case	PCRY4-A	PPE	1	UL94V-0
11	Lower case	PCRY4-B	PPE	1	UL94V-0
12	Safety Cover	PCRY4-C	PC	1	Smoke
13	Lock Lever	PCRY4-D	POM	1	Color:Yellow
14	LED lens	PCRY4-E	PC	1	Transparent
15	Removal Tool	PCRY-M	POM	1	Color:Yellow
16	Short Bar	BB7.0-4	C2680R	2	t=0.5 Coating (PVC :Black.)
17	Type.Circuit seal	PCRY-4M1N-S		1	

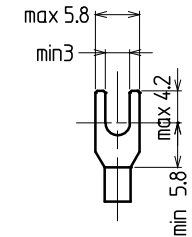
Accessories

(Removal Tool)

(Short Barx2)



Applicable wire-pressed terminal (mm)



Applicable wire-size

MAX 1.25mm²

参考図

承認 APPROVED 菅沼 2017/7/20	検閲 CHECKED 小松 2017/7/20	製図 DRAWING 柳澤 2017.07.20	設計 DESIGNED 柳澤 2017.07.20	名称 TITLE PCRY-4M1N
製品コード CODE No.		単位 UNIT mm	尺度 SCALE 1/1	Specifications
東洋技研株式会社 TOYOGIKEN CO.,LTD.		公差 TOLERANCE	図番 DRAWING No. TA17356-01	REV. SHEET

改番 REV.	訂正記事 DESCRIPTION OF REVISION	年月日 DATE	担当 BY
---------	------------------------------	----------	-------