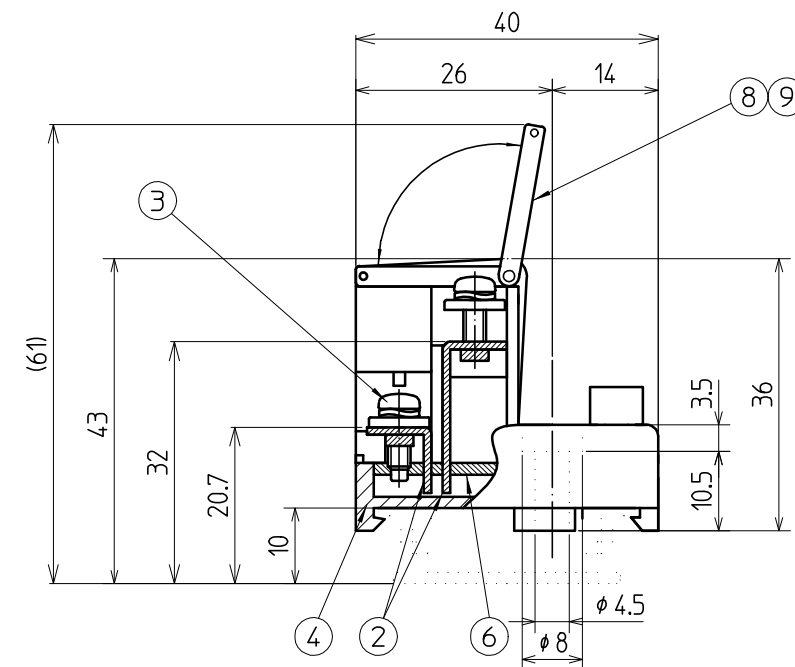
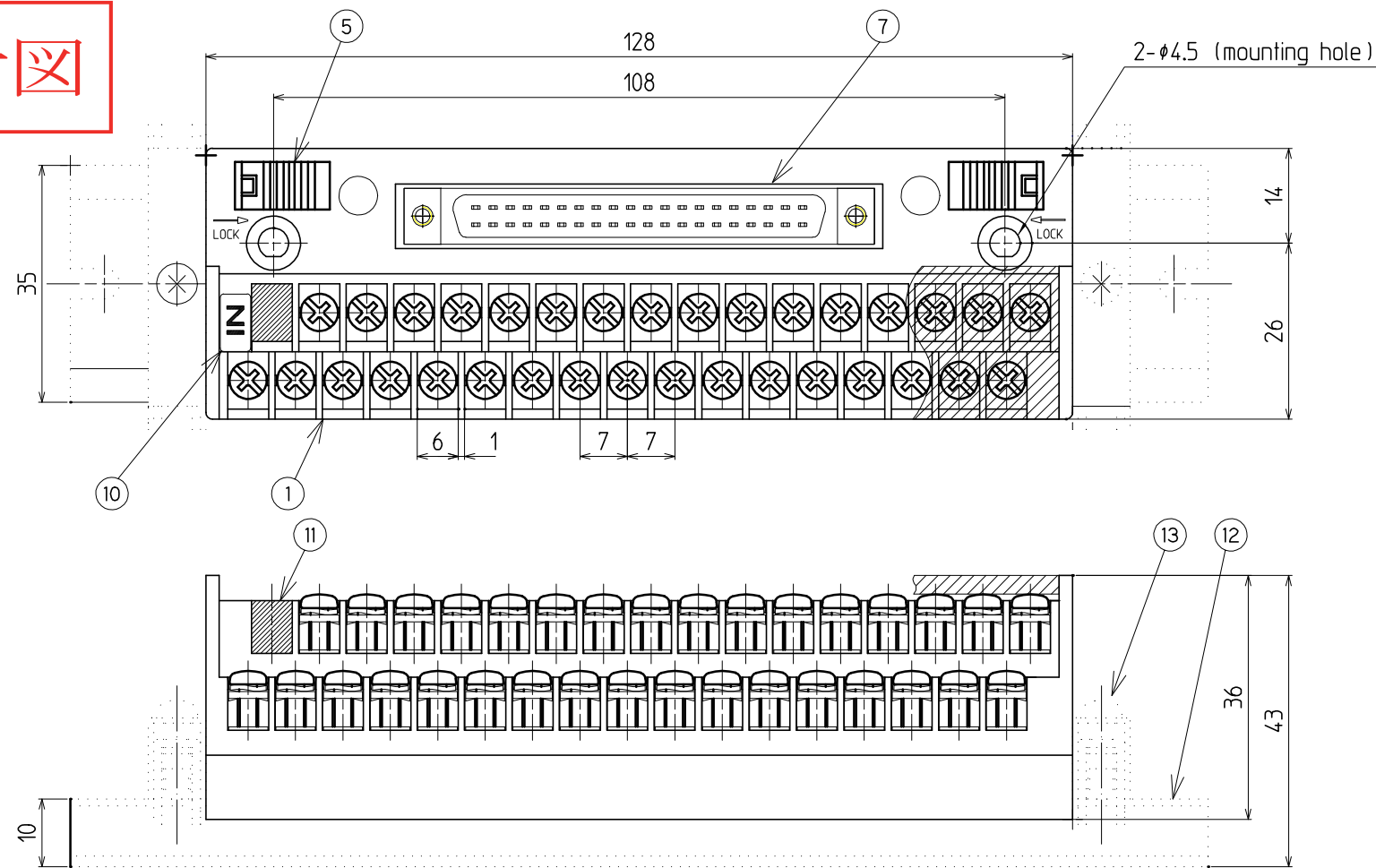


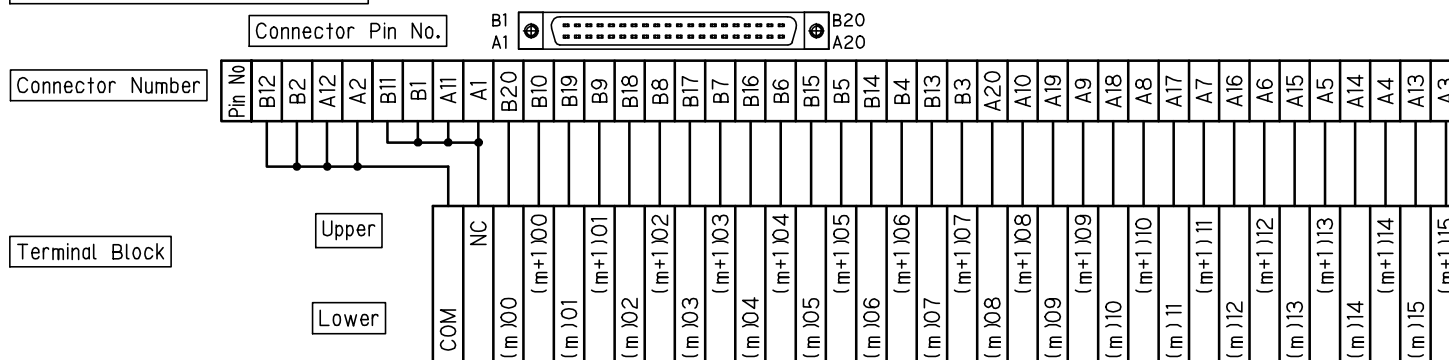
参考図



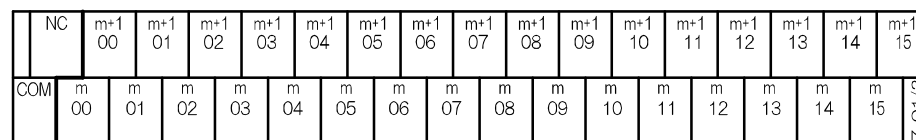
Rateds

	JIS·NECA	TUV	Applicable solderless terminal (mm)
Rating voltage	50V	50V	
Rating current	0.5A/COM 2A	0.5A/COM 2A	
Connectable wire	1.25mm ² / MAX	AWG22~16	
Insulation resistance	100MΩ or above (With DC500V)		
Withstand voltage	AC600V / 1minute		
Standard tightening torque	1.2N·m		
Operating ambient temperature	-15℃~+60℃(No freezing or condensation)		
Standard	JIS C 8201-7-1 NECA C 2811	EN60947-7-1	

Connecting Diagram



Name Plate



Specifications

No	Discription	Material	Size	Surface treatment	Remarks
1	Terminal Block	Modified PPE (Gray)			UL94V-0
2	Conductive Plate A,B	Brass	t=1	Sn	
3	Connection screw	Steel	M3X9.5L	Ni	±Free terminal screw with spring
4	Under case	Modified PPE (Gray)			UL94V-0
5	Rail latch	Acetal copolymer (yellow)			
6	Substrate	Glass-epoxy	t=1.6		
7	Connector				1747053-1/TE Connectivity
8	Cover	Polycarbonate			
9	Name Plate	Paper			
10	「IN」 Seal	Synthetic paper			UL94V-0
11	NC Bush	Modified PPE (Gray)			
(12)	Mounting Rail	Aluminum		DAV	※ Optional
(13)	Stopper	Steel		Zn	HDV-1 ※ Optional

承認 APPROVED 菅沼 2023/09/15	検閲 CHECKED 中村 2023/09/15	製図 DRAWING 渡辺	設計 DESIGNED	名称 TITLE PCN7-4F40-TB34-02
 東洋技研株式会社 TOYOGIKEN CO.,LTD.		複写サイズ UNIT A3 mm	尺度 SCALE 1:1	外観寸法図
		公差 TOLERANCE	図番 DRAWING No. TA12330-01	REV. SHEET 1/1

改番 REV.	Connector changed (FCN-364PD40-AU: Fujitsu Component - 1747053-1: TE Connectivity)	2023/9/13	Furukori
	訂正記事 DESCRIPTION OF REVISION	年月日 DATE	担当 BY