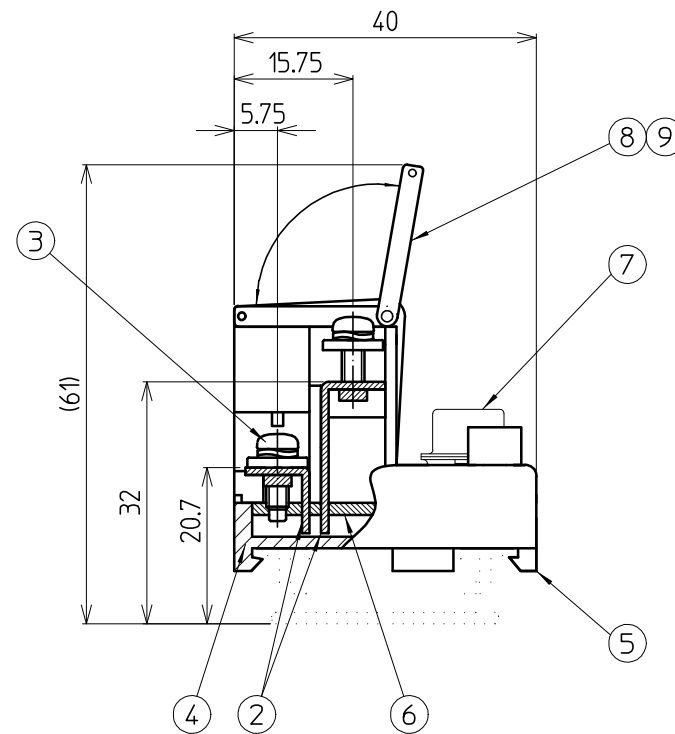
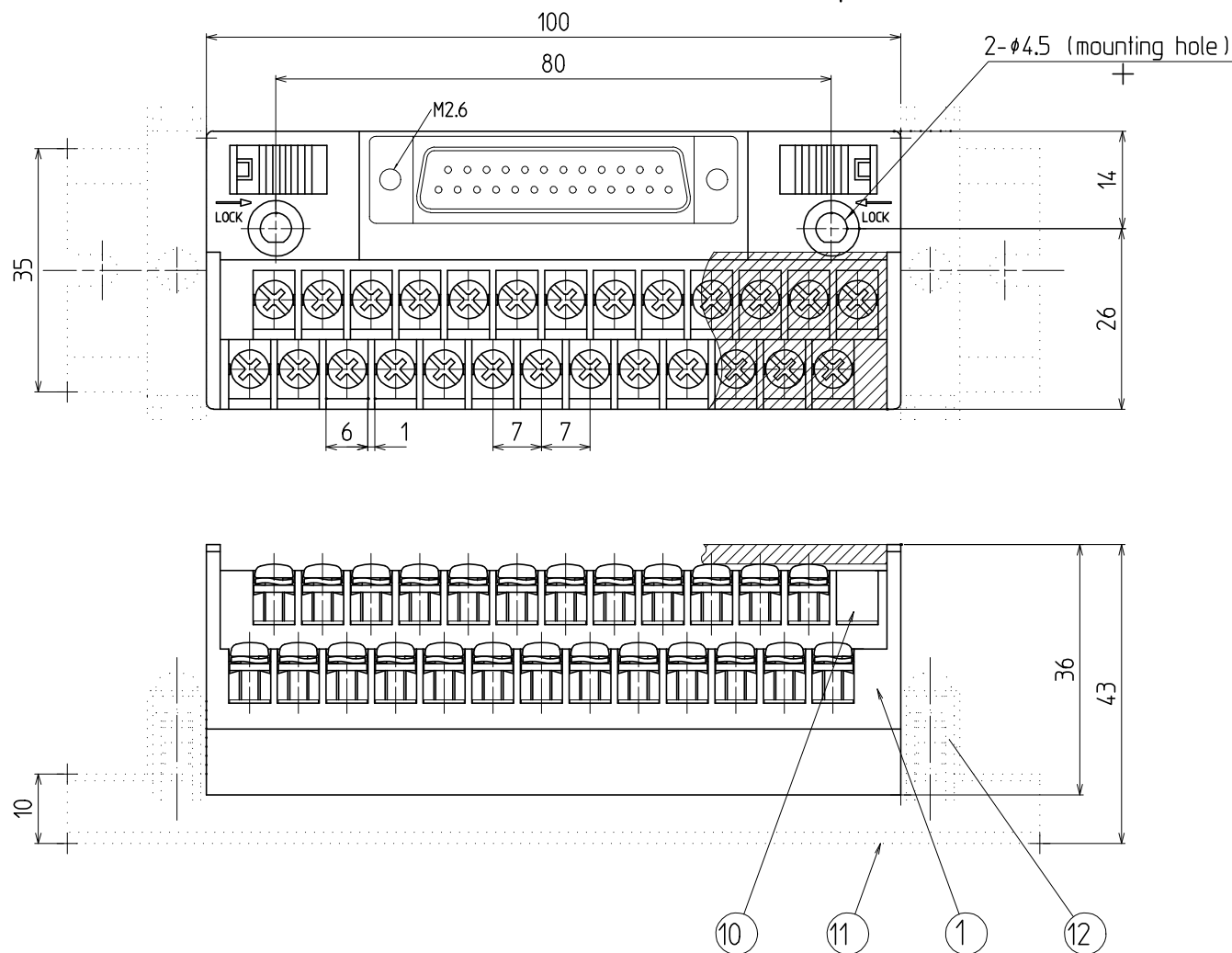


参考図

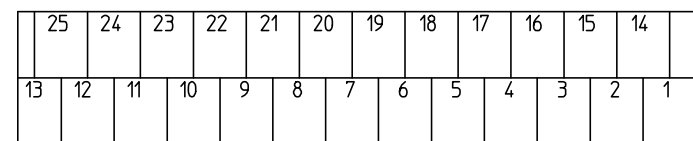


Rateds

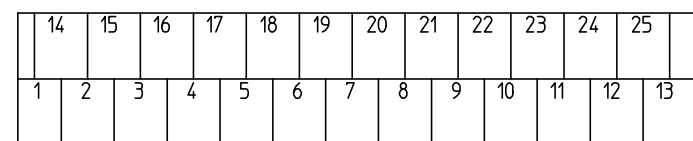
| | JIS·NECA | TÜV | Applicable solderless terminal (mm) |
|-------------------------------|--|-------------|-------------------------------------|
| Rating voltage | 125 V | 125 V | |
| Rating current | 1A | 1A | |
| Connectable wire | 1.25 mm ² /MAX | AWG22~16 | |
| Insulation resistance | 100M Ω or above (With DC500V) | | |
| Withstand voltage | AC600V / 1minute | | |
| Standard tightening torque | 1.2N·m | | |
| Operating ambient temperature | -15℃~+60℃(No freezing or condensation) | | |
| Standard | JIS C 8201-7-1 NECA C 2811 | EN60947-7-1 | |

Name Plate

(3H25A)



(3H25B)

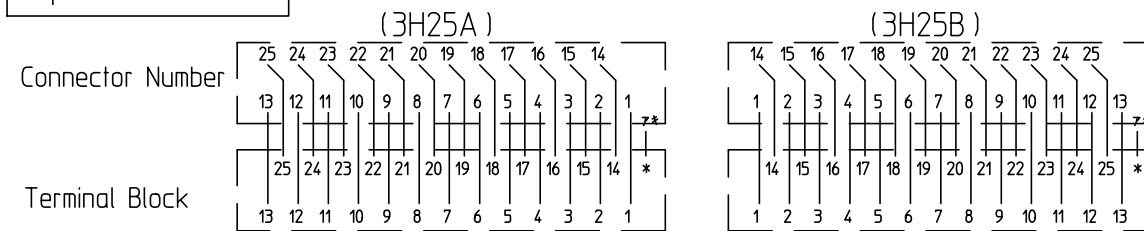


Specifications

| No | Description | Material | Size | Surface treatment | Remarks |
|------|----------------------|---------------------------|---------|--|----------------------------------|
| 1 | Terminal Block | Modified PPE (Gray) | | | UL94V-0 |
| 2 | Conductive Plate A,B | Brass | t=1 | Sn | |
| 3 | Connection screw | Steel | M3X9.5L | Ni | ≠Free terminal screw with spring |
| 4 | Under case | Modified PPE (Gray) | | | UL94V-0 |
| 5 | Rail latch | Acetal copolymer (yellow) | | | |
| 6 | Substrate | Glass-epoxy | t=1.6 | | |
| 7 | Connector | | | | Another description |
| 8 | Cover | Polycarbonate | | | |
| 9 | Name Plate | Paper | | | |
| 10 | NC bush | Modified PPE (Gray) | | | UL94V-0 |
| (11) | Mounting Rail | Aluminum | | | DAV,DAS ※ Optional |
| (12) | Stopper | Steel | | Zn Trivalent chromate conversion treatment | HDV-1 ※ Optional |

Connecting Diagram

Top View



Mounting connector

| Terminal type | Connector type |
|---------------|---------------------------|
| PCN7-3H25A | SDBB-25P (55)[+] (HIROSE) |
| PCN7-3H25B | SDBB-25S (55)[-] (HIROSE) |

| 承認 APPROVED | 検閲 CHECKED | 製図 DRAWING | 設計 DESIGNED | 名称 TITLE |
|--------------------------------|------------------|------------------|-------------|-----------------|
| 菅沼 2012.12/19 | 小松 2012.12/19 | 宮澤 2012.12/19 | | PCN7-3H25※ |
| 製品コード CODE No. | | 単位 UNIT | 尺度 SCALE | 番 号 DRAWING No. |
| | | mm | 1 / 1 | |
| 公差 TOLERANCE | | | | TA12337-01 |
| 東洋技研株式会社 TOYOGIKEN CO.,LTD. | | | | REV. SHEET |

| 改番 REV. | 訂正記事 DESCRIPTION OF REVISION | 年月日 DATE | 担当 BY |
|---------|------------------------------|----------|-------|
| | | | |