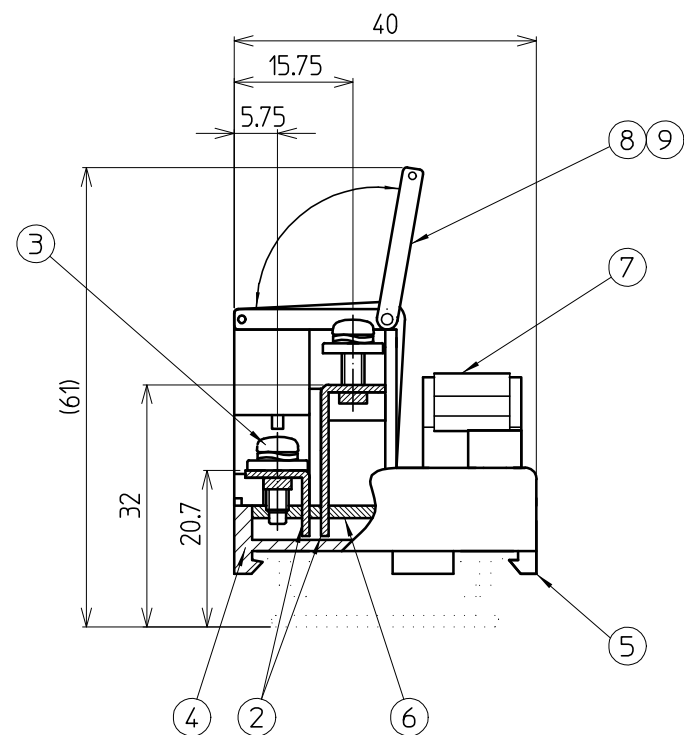
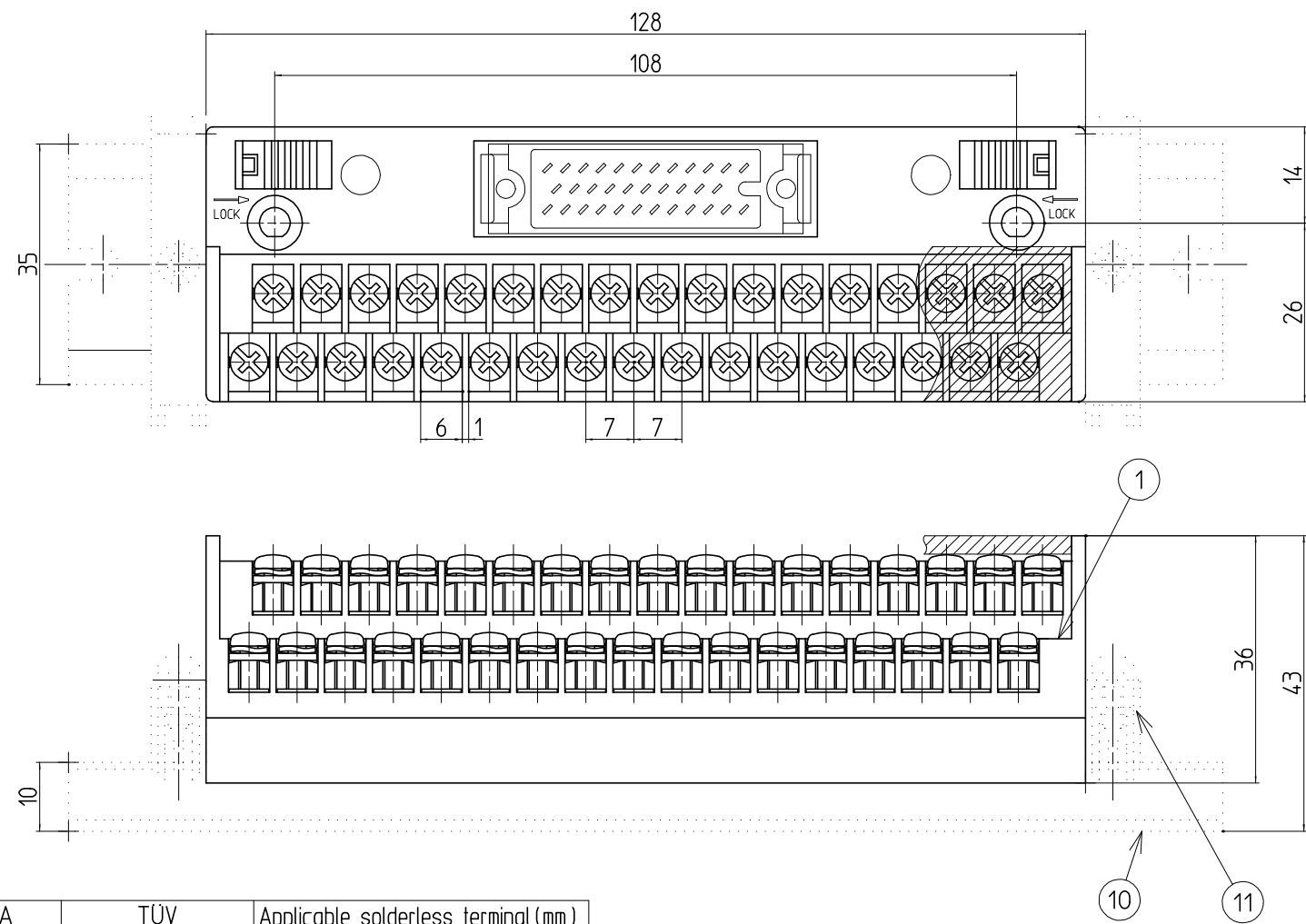


参考図



Rateds

	JIS·NECA	TÜV	Applicable solderless terminal (mm)
Rating voltage	125 V	125 V	
Rating current	1A	1A	
Connectable wire	1.25 mm ² /MAX	AWG22~16	
Insulation resistance	100M Ω or above (With DC500V)		
Withstand voltage	AC600V / 1minute		
Standard tightening torque	1.2N·m		
Operating ambient temperature	-15℃~+60℃(No freezing or condensation)		
Standard	JIS C 8201-7-1 NECA C 2811	EN60947-7-1	

Specifications

No	Description	Material	Size	Surface treatment	Remarks
1	Terminal Block	Modified PPE (Gray)			UL94V-0
2	Conductive Plate A,B	Brass	t=1	Sn	
3	Connection screw	Steel	M3X9.5L	Ni	≠Free terminal screw with spring
4	Under case	Modified PPE (Gray)			UL94V-0
5	Rail latch	Acetal copolymer (yellow)			
6	Substrate	Glass-epoxy	t=1.6		
7	Connector				Another description
8	Cover	Polycarbonate			
9	Name Plate	Paper			
(10)	Mounting Rail	Aluminum			DAV,DAS ※ Optional
(11)	Stopper	Steel		Zn+Trivalent chromate conversion treatment	HDV-1 ※ Optional

Mounting connector

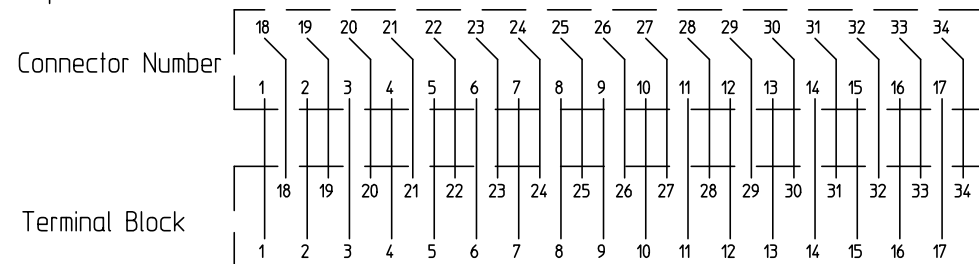
Terminal type	Connector type
PCN7-2M34A	HTK : MR-34RMD2 (+)(Male)
PCN7-2M34B	HTK : MR-34RFD2 (+)(Female)

Name Plate

18	19	20	21	22	23	24	25	26	27	28	29	30	31	32	33	34
1	2	3	4	5	6	7	8	9	10	11	12	13	14	15	16	17

Connecting Diagram

Top View



承認 APPROVED 菅沼 2012.12/19	検閲 CHECKED 小松 2012.12/19	製図 DRAWING 宮澤 2012.12/19	設計 DESIGNED	名称 TITLE PCN7-2M34※ Specifications
製品コード CODE No.		単位 UNIT mm	尺度 SCALE 1 / 1	図番 DRAWING No. TA12323-01
公差 TOLERANCE		REV. SHEET		

改番 REV.	訂正記事 DESCRIPTION OF REVISION	年月日 DATE	担当 BY