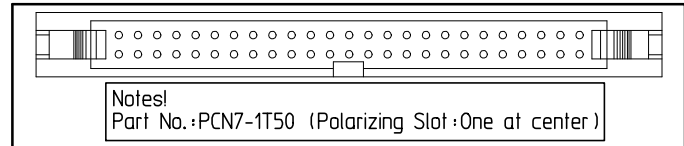
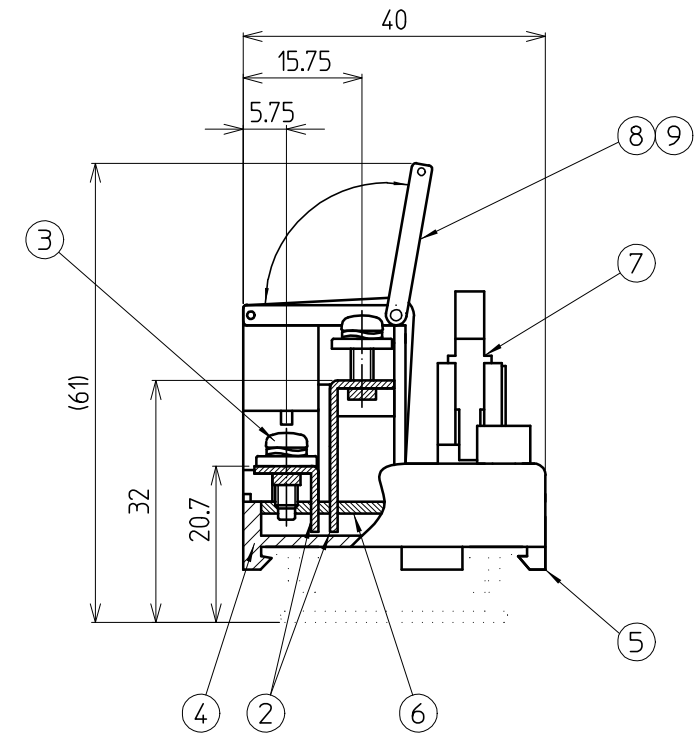
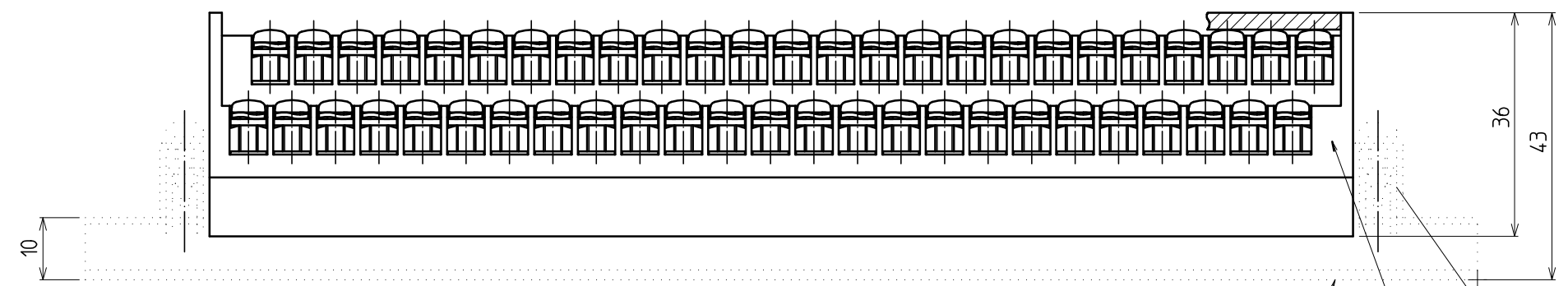
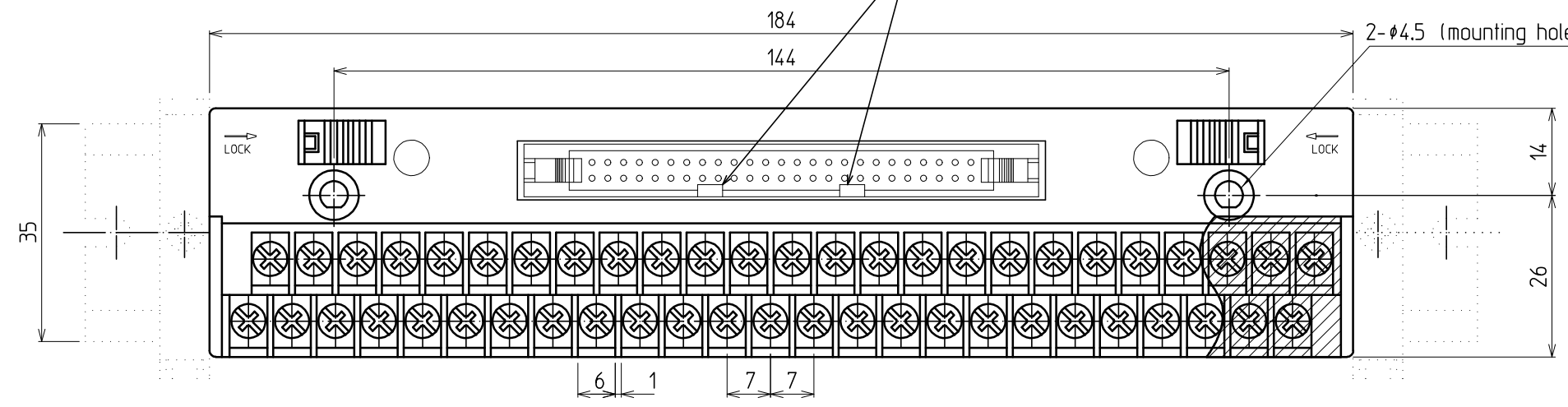


参考図

Part No.:PCN7-1H50 · PCN7-1J50 (Polarizing Slot:One on right and left sides, resp.)



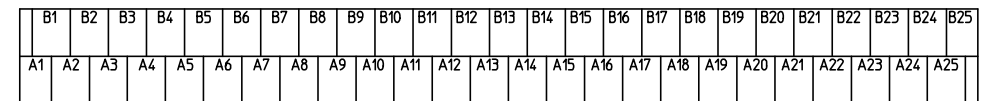
See the table "Mounting connector" below.



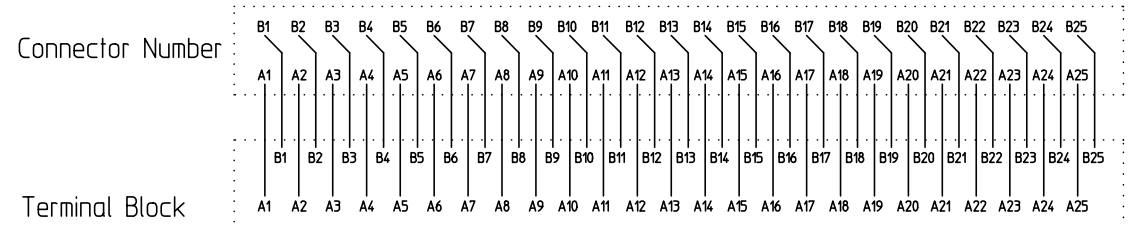
Rateds	JIS·NECA	UL·cUL	TUV	Applicable solderless terminal (mm)
Rating voltage	125 V	125 V	125 V	
Rating current	1A	1A	1A	
Connectable wire	1.25 mm ² /MAX	AWG22~16	AWG22~16	
Insulation resistance	100MΩ or above (With DC500V)			
Withstand voltage	AC600V / 1minute			
Standard tightening torque	1.2N·m			
Operating ambient temperature	-15℃~+60℃(No freezing or condensation)			
Standard	JIS C 8201-7-1 NECA C 2811	UL1059 C22.2 No158	EN60947-7-1	

No	Discription	Material	Size	Surface treatment	Remarks
1	Terminal Block	Modified PPE (Gray)			UL94V-0
2	Conductive Plate A,B	Brass	t=1	Sn	
3	Connection screw	Steel	M3X9.5L	Ni	±Free terminal screw with spring
4	Under case	Modified PPE (Gray)			UL94V-0
5	Rail latch	Acetal copolymer (yellow)			
6	Substrate	Glass-epoxy	t=1.6		
7	Connector				Another description
8	Cover	Polycarbonate			
9	Name Plate	Paper			
(10)	Mounting Rail	Aluminum			DAV,DAS ※ Optional
(11)	Stopper	Steel		Zn Trivalent chromate conversion treatment	HDV-1 ※ Optional

Name Plate



Connecting Diagram
Top View



Mounting connector

Terminal type	Connector type	The number of slots	UL	cUL	TUV
PCN7-1H50	HIF3BA-50PA-2.54DSA(63) (HIROSE)	2	●		●
PCN7-1J50	PS-50PE-D4T1-LP1 (JAE)	2		●	●
PCN7-1T50	XG4A-5031 (OMRON)	1	●	●	●

承認 APPROVED	検閲 CHECKED	製図 DRAWING	設計 DESIGNED	名称 TITLE
菅沼 2012.12/19	小松 2012.12/19	宮澤 2012.12/19		PCN7-1※50
製品コード CODE No.		単位 UNIT	尺度 SCALE	Specifications
		mm	1 / 1	
公差 TOLERANCE			図番 DRAWING No.	REV. SHEET
東洋技研株式会社 TOYOGIKEN CO.,LTD.			TA12311-01	

改番 REV.	訂正記事 DESCRIPTION OF REVISION	年月日 DATE	担当 BY