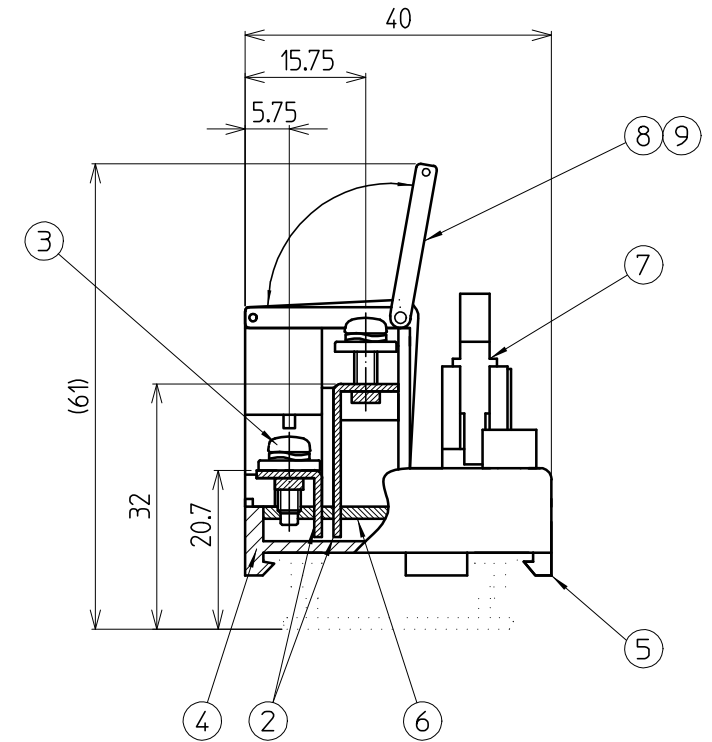
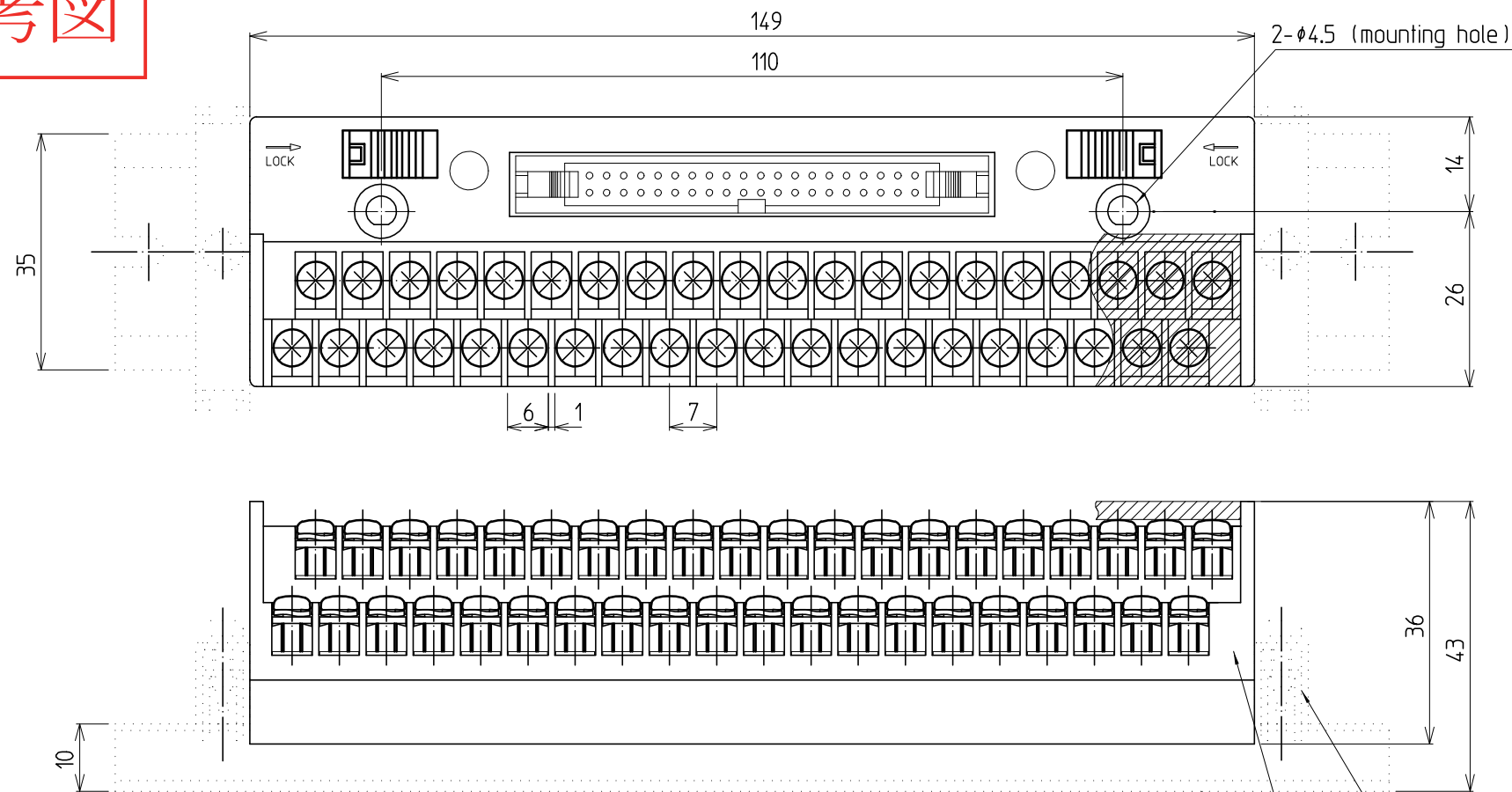


参考図

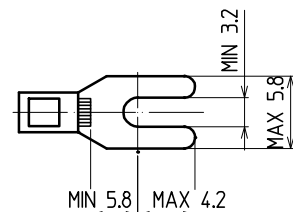


See the table "Mounting connector" below.



Rateds

	JIS·NECA	UL·cUL	TUV	Applicable solderless terminal (mm)
Rating voltage	125 V	125 V	125 V	
Rating current	1A	1A	1A	
Connectable wire	1.25 mm ² /MAX	AWG22~16	AWG22~16	
Insulation resistance	100M Ω or above (With DC500V)			
Withstand voltage	AC600V / 1minute			
Standard tightening torque	1.2N·m			
Operating ambient temperature	-15 $^{\circ}$ C~+60 $^{\circ}$ C(No freezing or condensation)			
Standard	JIS C 8201-7-1 NECA C 2811	UL1059 C22,2 No158	EN60947-7-1	



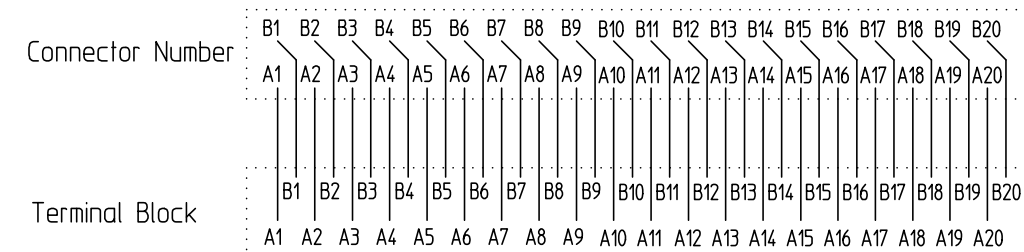
Specifications

No	Description	Material	Size	Surface treatment	Remarks
1	Terminal Block	Modified PPE (Gray)			UL94V-0
2	Conductive Plate A,B	Brass	t=1	Sn	
3	Connection screw	Steel	M3X9.5L	Ni	±Free terminal screw with spring
4	Under case	Modified PPE (Gray)			UL94V-0
5	Rail latch	Acefal copolymer (yellow)			
6	Substrate	Glass-epoxy	t=1.6		
7	Connector				Another description
8	Cover	Polycarbonate			
9	Name Plate	Paper			
(10)	Mounting Rail	Aluminum			DAV,DAS ※ Optional
(11)	Stopper	Steel		Zi+Trivalent chromate conversion treatment	HDV-1 ※ Optional

Name Plate

B1	B2	B3	B4	B5	B6	B7	B8	B9	B10	B11	B12	B13	B14	B15	B16	B17	B18	B19	B20
A1	A2	A3	A4	A5	A6	A7	A8	A9	A10	A11	A12	A13	A14	A15	A16	A17	A18	A19	A20

Connecting Diagram
Top View



Mounting connector

Terminal type	Connector type	UL	cUL	TUV
PCN7-1H40	HIF3BA-40PA-2.54DSA (63) (HIROSE)	●		●
PCN7-1J40	PS-40PE-D4T1-LP1 (JAE)			●
PCN7-1T40	XG4A-4031 (OMRON)	●	●	●

承認 APPROVED 菅沼 2001.10/29	検閲 CHECKED 小松 2001.10/29	製図 DRAWING GENDA 2001.10/29	設計 DESIGNED	名称 TITLE PCN7-1x40
製品コード CODE No.			単位 UNIT mm	尺度 SCALE 1/1
公差 TOLERANCE			図番 DRAWING No. TA01509-01	REV. SHEET
東洋技研株式会社 TOYOGIKEN CO.,LTD.				

△	Notation change	2012.12/19	宮澤
改番 REV.	訂正記事 DESCRIPTION OF REVISION	年月日 DATE	担当 BY