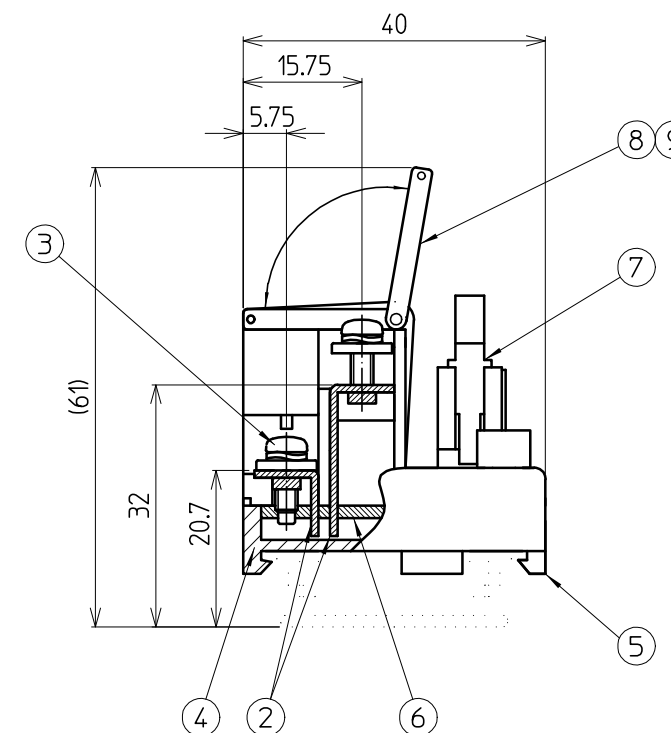
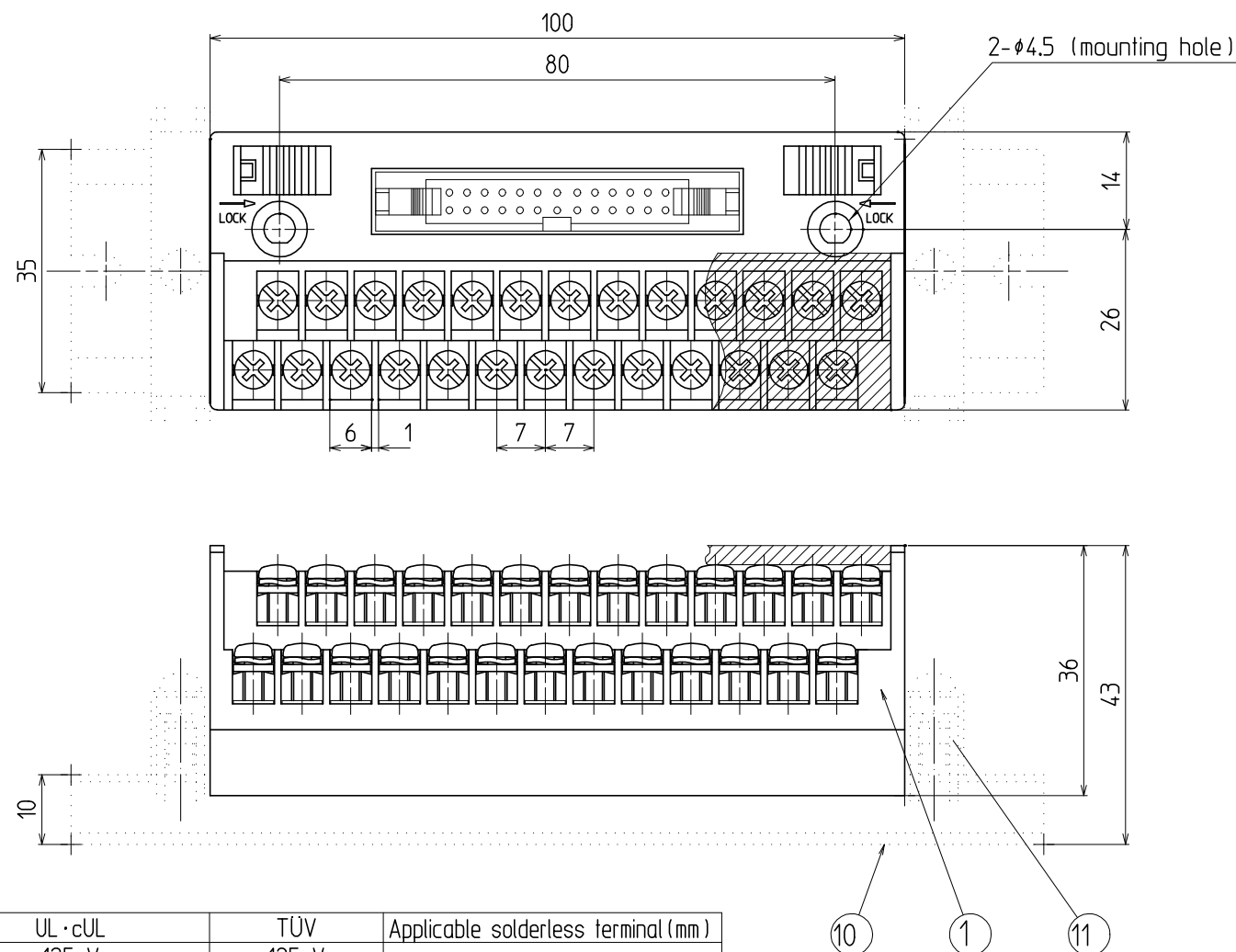


参考図



See the table "Mounting connector" below.



Rateds

	JIS·NECA	UL·cUL	TÜV	Applicable solderless terminal (mm)
Rating voltage	125 V	125 V	125 V	
Rating current	1A	1A	1A	
Connectable wire	1.25 mm ² /MAX	AWG22~16	AWG22~16	
Insulation resistance	100M Ω or above (With DC500V)			
Withstand voltage	AC 600V / 1minute			
Standard tightening torque	1.2N·m			
Operating ambient temperature	-15℃~+60℃(No freezing or condensation)			
Standard	JIS C 8201-7-1 NECA C 2811	UL1059 C22.2 No158	EN60947-7-1	

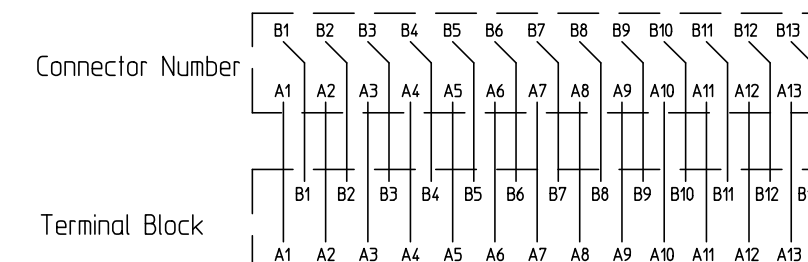
Specifications

No	Description	Material	Size	Surface treatment	Remarks
1	Terminal Block	Modified PPE (Gray)			UL94V-0
2	Conductive Plate A,B	Brass	t=1	Sn	
3	Connection screw	Steel	M3X9.5L	Ni	≠Free terminal screw with spring
4	Under case	Modified PPE (Gray)			UL94V-0
5	Rail latch	Acetal copolymer (yellow)			
6	Substrate	Glass-epoxy	t=1.6		
7	Connector				Another description
8	Cover	Polycarbonate			
9	Name Plate	Paper			
(10)	Mounting Rail	Aluminum			DAV,DAS ※ Optional
(11)	Stopper	Steel		Zn Trivalent chromate conversion treatment	HDV-1 ※ Optional

Name Plate

B1	B2	B3	B4	B5	B6	B7	B8	B9	B10	B11	B12	B13
A1	A2	A3	A4	A5	A6	A7	A8	A9	A10	A11	A12	A13

Connecting Diagram
Top View



Mounting connector

Terminal type	Connector type	UL	cUL	TÜV
PCN7-1H26	HIF3BA-26PA-2.54DSA (63) (HIROSE)	●		●
PCN7-1J26	PS-26PE-D4T1-LP1 (JAE)			●
PCN7-1T26	XG4A-2631 (OMRON)	●	●	●

承認 APPROVED 菅沼 2012.12/19	検閲 CHECKED 小松 2012.12/19	製図 DRAWING 宮澤 2012.12/19	設計 DESIGNED	名称 TITLE PCN7-1*26
製品コード CODE No.		単位 UNIT mm	尺度 SCALE 1 / 1	Specifications
公差 TOLERANCE		図番 DRAWING No. TA12309-01		REV. SHEET

改番 REV.

訂正記事
DESCRIPTION OF REVISION

年月日
DATE

担当
BY

東洋技研株式会社
TOYOGIKEN CO.,LTD.

REV. SHEET