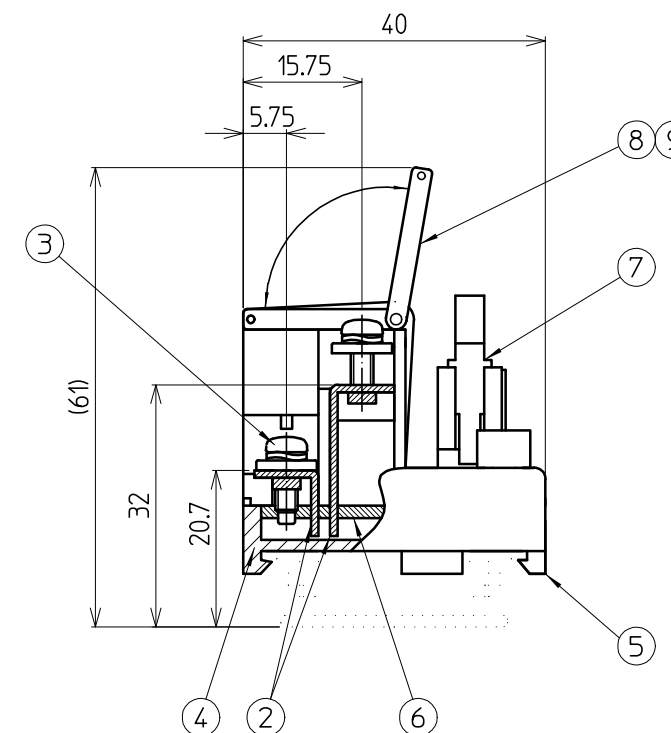
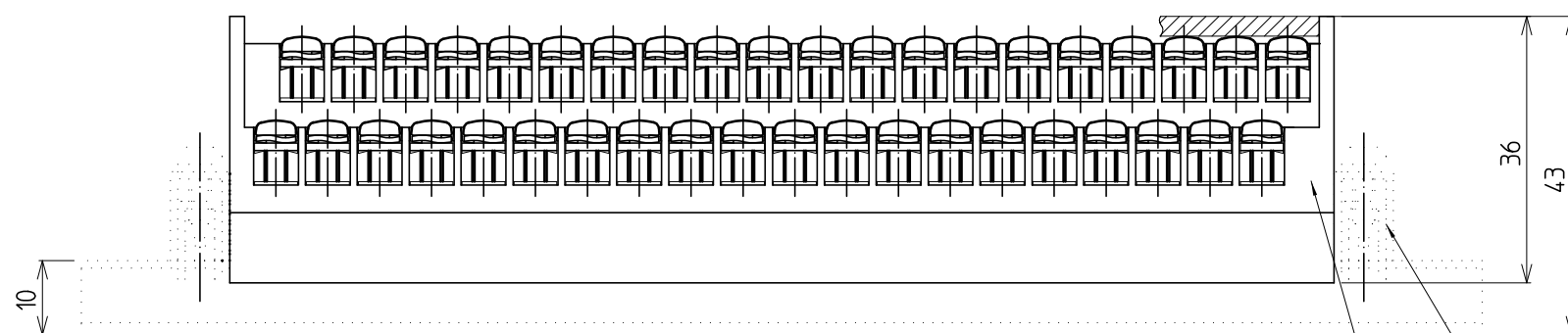
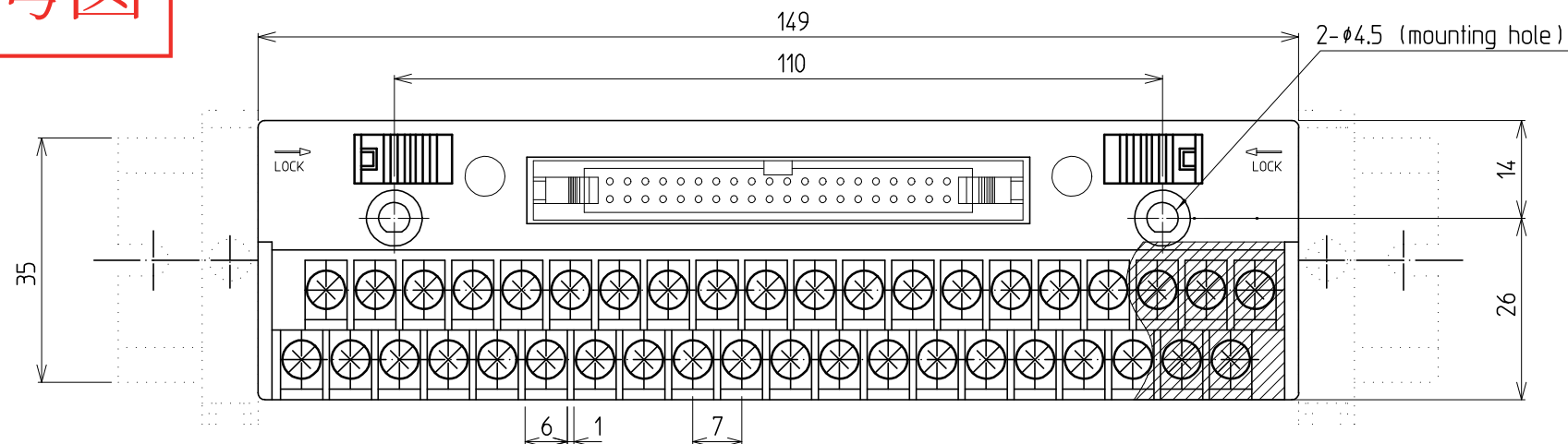


参考図



Rateds

	JIS-NECA	UL	TUV	Applicable solderless terminal (mm)
Rating voltage	125 V	125 V	125 V	
Rating current	1A	1A	1A	
Connectable wire	1.25 mm <sup>2</sup> /MAX	AWG22~16	AWG22~16	
Insulation resistance	100M $\Omega$ or above (With DC500V)			
Withstand voltage	AC600V / 1minute			
Standard tightening torque	1.2N·m			
Operating ambient temperature	-15℃~+60℃(No freezing or condensation)			
Standard	JIS C 8201-7-1 NECA C 2811	UL1059	EN60947-7-1	

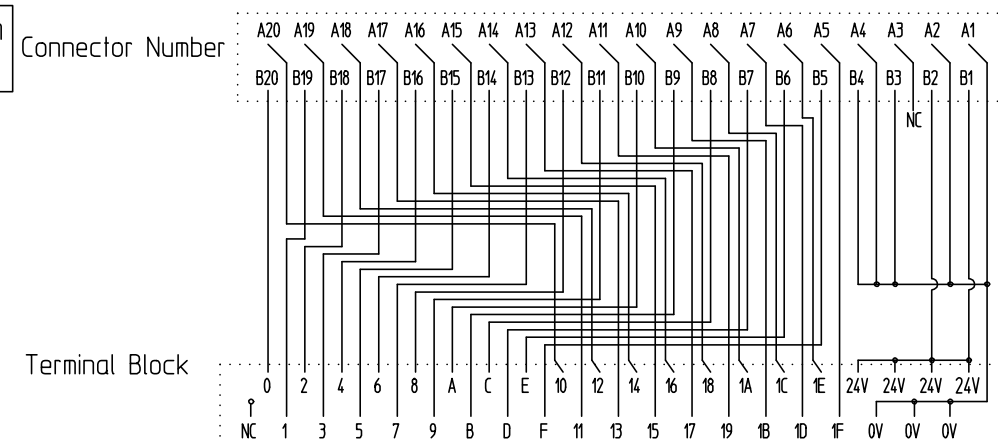
Specifications

No	Description	Material	Size	Surface treatment	Remarks
1	Terminal Block	Modified PPE (Gray)			UL94V-0
2	Conductive Plate A,B	Brass	t=1	Sn	
3	Connection screw	Steel	M3X9.5L	Ni	≠Free terminal screw with spring
4	Under case	Modified PPE (Gray)			UL94V-0
5	Rail latch	Acetal copolymer (yellow)			
6	Substrate	Glass-epoxy	t=1.6		
7	Connector				HIF3BA-40PA-2.54DSA(63) (HIROSE)
8	Cover	Polycarbonate			
9	Name Plate	Paper			
(10)	Mounting Rail	Aluminum			DAV,DAS ※ Optional
(11)	Stopper	Steel		Zn+Trivalent chromate conversion treatment	HDV-1 ※ Optional

Name Plate

0	2	4	6	8	A	C	E	10	12	14	16	18	1A	1C	1E	24V	24V	24V	24V	
NC	1	3	5	7	9	B	D	F	11	13	15	17	19	1B	1D	1F	0V	0V	0V	0V

Connecting Diagram Top View



承認 APPROVED 菅沼 2012.12/19	検閲 CHECKED 小松 2012.12/19	製図 DRAWING 宮澤 2012.12/19	設計 DESIGNED	名称 TITLE PCN7-1H40M
製品コード CODE No.		単位 UNIT mm	尺度 SCALE 1 / 1	Specifications
公差 TOLERANCE		図番 DRAWING No. TA12313-01		REV. SHEET

改番 REV.

訂正記事  
DESCRIPTION OF REVISION

年月日  
DATE

担当  
BY

東洋技研株式会社  
TOYOGIKEN CO.,LTD.

REV. SHEET