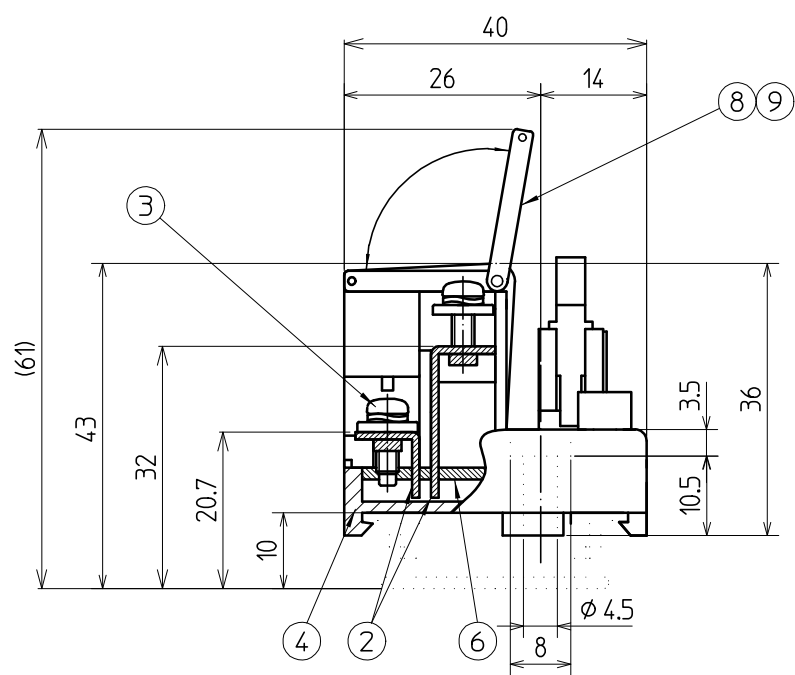
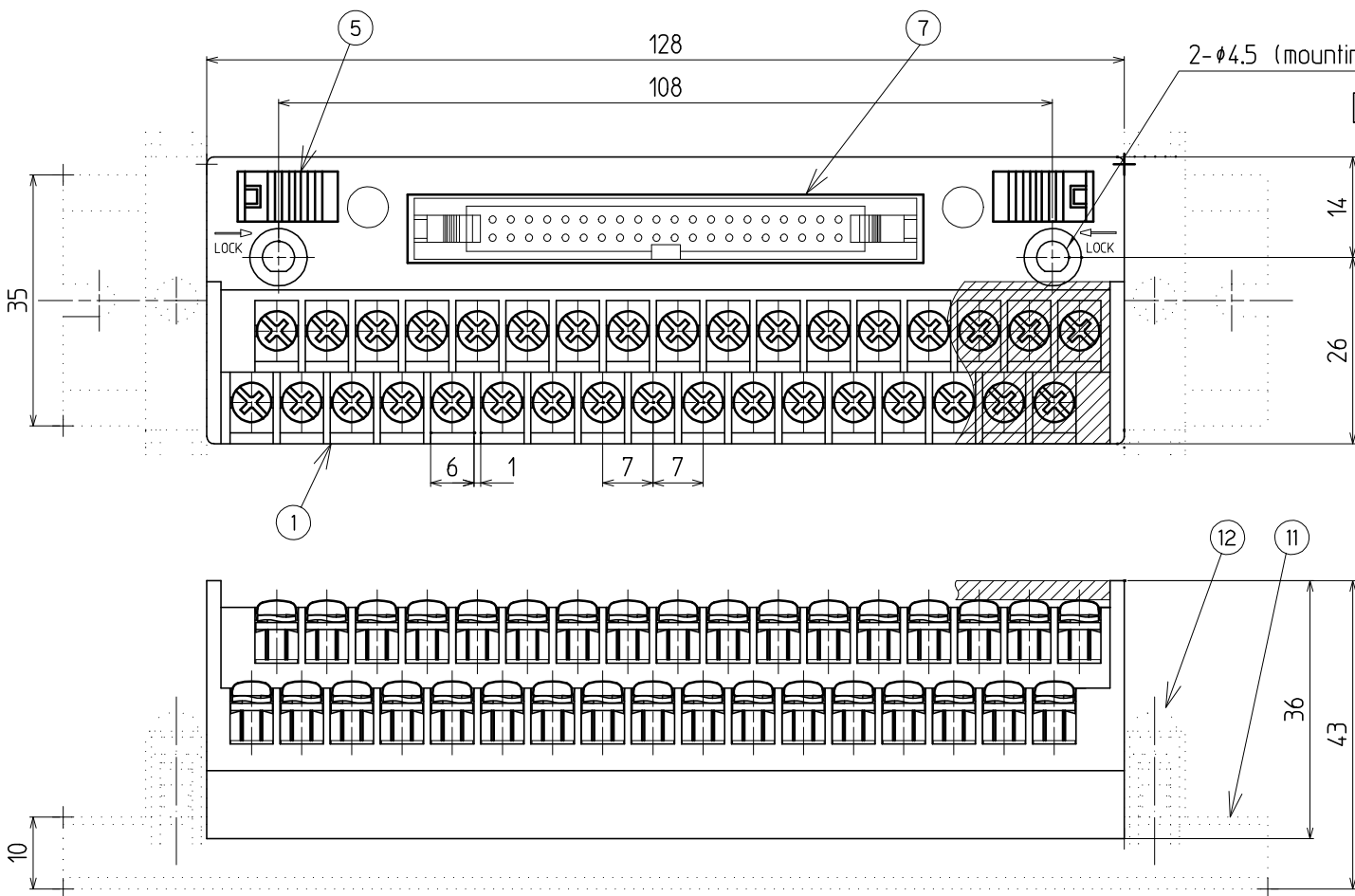
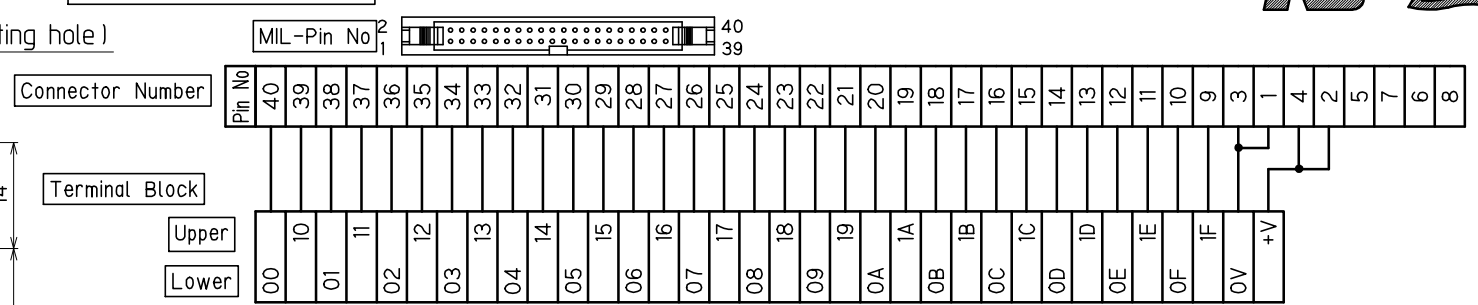




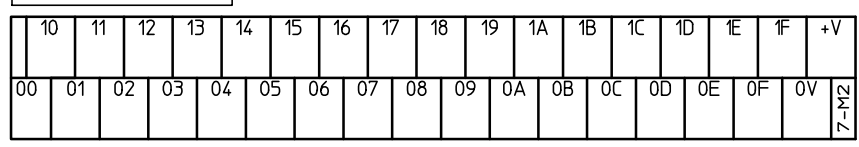
Connecting Diagram



Rates

	JIS-NECA	UL	TUV	Applicable solderless terminal (mm)
Rating voltage	50V	50V	50V	
Rating current	0.5A/COM 2A	0.5A/COM 2A	0.5A/COM 2A	
Connectable wire	1.25mm ² / MAX	AWG22~16	AWG22~16	
Insulation resistance	100M ^Ω or above (With DC500V)			
Withstand voltage	AC 600V / 1minute			
Standard tightening torque	1.2N·m			
Operating ambient temperature	-15℃~+60℃(No freezing or condensation)			
Standard	JIS C 8201-7-1 NECA C 2811	UL1059	EN60947-7-1	

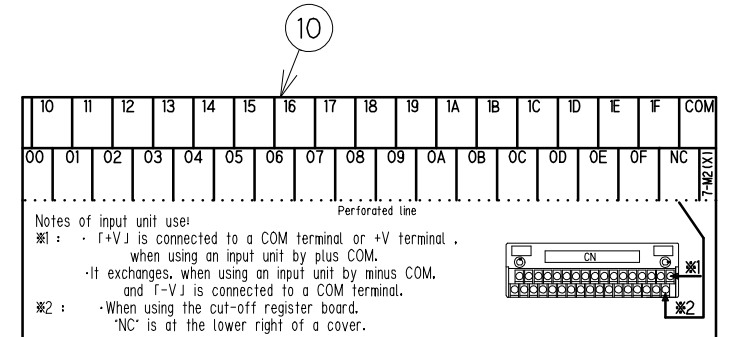
Name Plate



Specifications

No	Description	Material	Size	Surface treatment	Remarks
1	Terminal Block	Modified PPE (Gray)			UL94V-0
2	Conductive Plate A,B	Brass	t=1	Sn	
3	Connection screw	Steel	M3X9.5L	Ni	*Free terminal screw with spring
4	Under case	Modified PPE (Gray)			UL94V-0
5	Rail latch	Acetal copolymer (yellow)			
6	Substrate	Glass-epoxy	t=1.6		
7	Connector				HIF3BA-40PA-2.54DSA (63) (HIROSE)
8	Cover	Polycarbonate			
9	Name Plate	Paper			
※10	Name Plate	Paper			* Attachment
(11)	Mounting Rail	Aluminum		Zi+Trivalent chromate conversion treatment	DAV * Optional
(12)	Stopper	Steel			HDV-1 * Optional

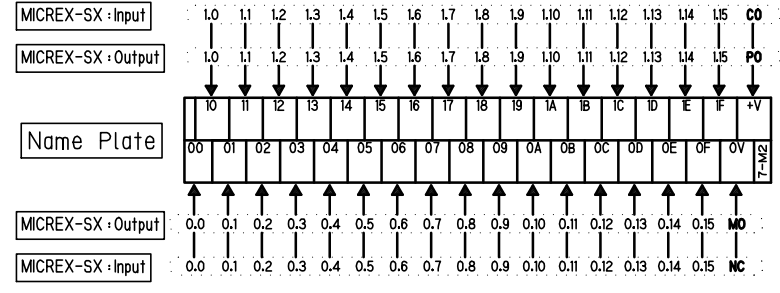
※1: It exchanges, when using an input unit by minus COM.



Notes of about the MICREX-SX (FUJI Electric) input and output unit

It is the I/O card output specification of Mitsubishi Electric at the time of shipment. Please check the following at the time of use of I/O of MICREX-SX(FUJI Electric).

- 1: The signal name notation is the Mitsubishi Electric specification. When using MICREX-SX (FUJI Ele), it is the arrangement of the figure described below.
- 2: When you use an input card, please change to (No.12).
- 3: When you use an input card, please do not use NC for the terminal for relay.



参考図

承認 APPROVED 菅沼 2010. 7/20	検閲 CHECKED 小松 2010. 7/20	製図 DRAWING GENDA 2010. 7/20	設計 DESIGNED	名称 TITLE PCN7-1H40-TB34-M2
製品コード CODE No.		単位 UNIT mm	尺度 SCALE 1 / 1	番 DRAWING No. TA10421-01
公差 TOLERANCE		REV. SHEET		

Rating is added.	2012.12/19	宮澤
訂正記事 DESCRIPTION OF REVISION	年月日 DATE	担当 BY