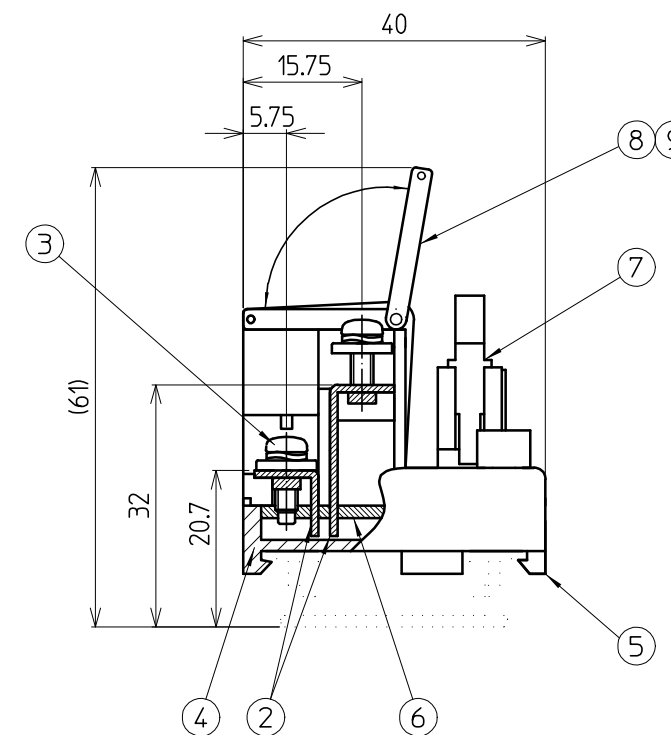
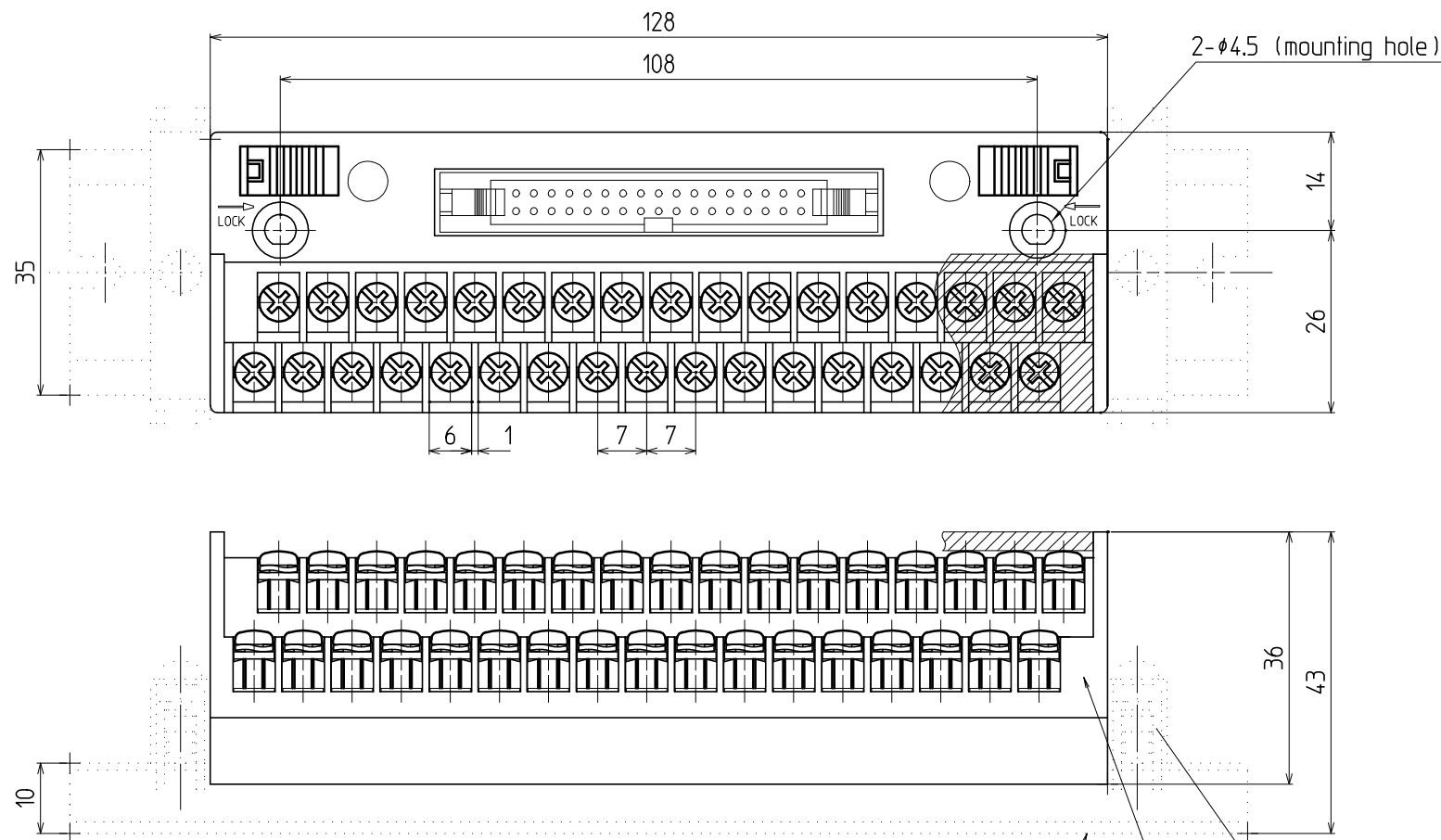


参考図



See the table "Mounting connector" below.



Rateds

	JIS·NECA	UL·cUL	TUV	Applicable solderless terminal (mm)
Rating voltage	125 V	125 V	125 V	
Rating current	1A	1A	1A	
Connectable wire	1.25 mm ² /MAX	AWG22~16	AWG22~16	
Insulation resistance	100M Ω or above (With DC500V)			
Withstand voltage	AC600V / 1minute			
Standard tightening torque	1.2N·m			
Operating ambient temperature	-15℃~+60℃(No freezing or condensation)			
Standard	JIS C 8201-7-1 NECA C 2811	UL1059 C22.2 No158	EN60947-7-1	

Specifications

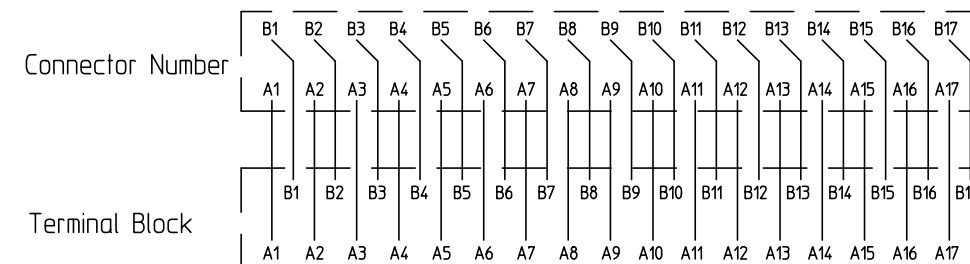
No	Description	Material	Size	Surface treatment	Remarks
1	Terminal Block	Modified PPE (Gray)			UL94V-0
2	Conductive Plate A,B	Brass	t=1	Sn	
3	Connection screw	Steel	M3X9.5L	Ni	≠Free terminal screw with spring
4	Under case	Modified PPE (Gray)			UL94V-0
5	Rail latch	Acetal copolymer (yellow)			
6	Substrate	Glass-epoxy	t=1.6		
7	Connector				Another description
8	Cover	Polycarbonate			
9	Name Plate	Paper			
(10)	Mounting Rail	Aluminum			DAV,DAS ※ Optional
(11)	Stopper	Steel		Zn Trivalent chromate conversion treatment	HDV-1 ※ Optional

Name Plate

B1	B2	B3	B4	B5	B6	B7	B8	B9	B10	B11	B12	B13	B14	B15	B16	B17
A1	A2	A3	A4	A5	A6	A7	A8	A9	A10	A11	A12	A13	A14	A15	A16	A17

Connecting Diagram

Top View



Mounting connector

Terminal type	Connector type	UL	cUL	TUV
PCN7-1H34	HIF3BA-34PA-2.54DSA (63) (HIROSE)	●		●
PCN7-1J34	PS-34PE-D4T1-LP1 (JAE)			●
PCN7-1T34	XG4A-3431 (OMRON)	●	●	●

承認 APPROVED	検閲 CHECKED	製図 DRAWING	設計 DESIGNED	名称 TITLE
菅沼 2012.12/19	小松 2012.12/19	宮澤 2012.12/19		PCN7-1※34
製品コード CODE No.		単位 UNIT	尺度 SCALE	Specifications
		mm	1 / 1	
公差 TOLERANCE			図番 DRAWING No.	REV. SHEET
東洋技研株式会社 TOYOGIKEN CO.,LTD.			TA12310-01	

改番 REV.

訂正記事
DESCRIPTION OF REVISION

年月日
DATE

担当
BY

REV. SHEET