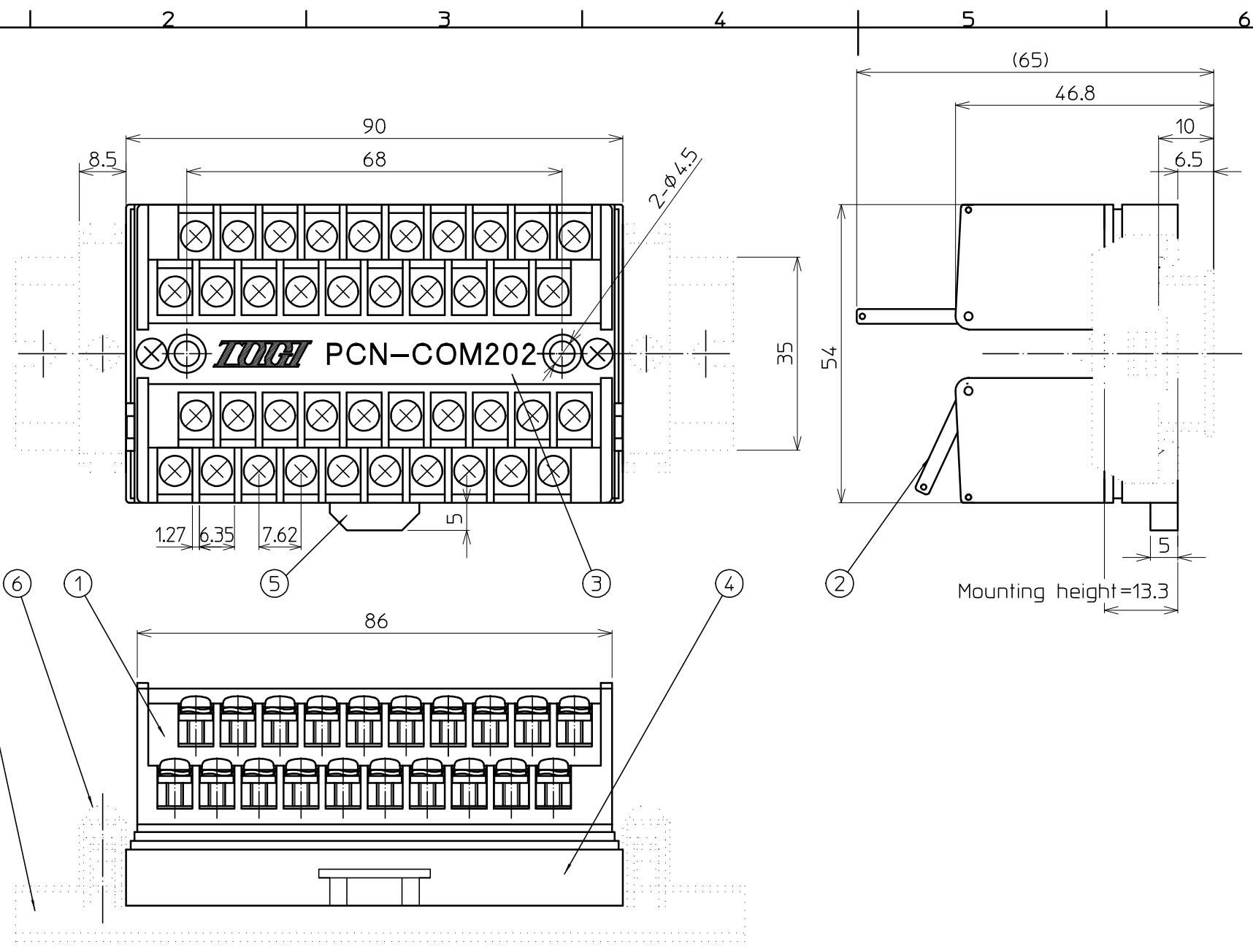
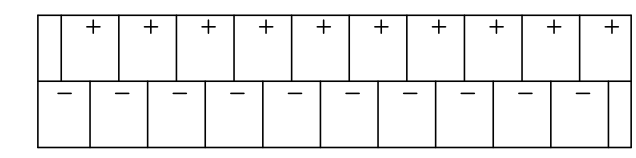


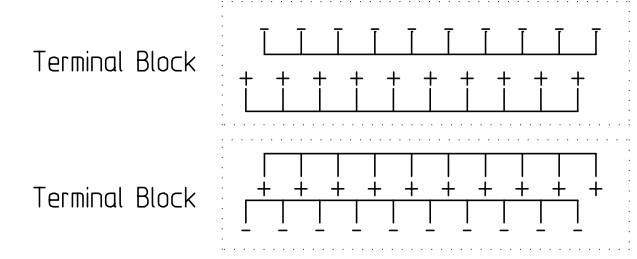
参考図



Name Plate



Connecting Diagram  
Top View



Specifications

No	Discription	Type	Material	Size	Surface treatment	Remarks
1	Terminal Block		Modified PPE (Gray)			UL94V-0
	Conductive Plate A,B		Brass	t=1	Sn	
	Connection screw		Steel	M3X9.5L	Ni	±Free terminal screw with spring
2	Cover		Polycarbonate			
	Name Plate		Paper			
3	Substrate		Glass-epoxy	t=1.6		
4	Under case		PBT			UL94V-0
5	Rail latch		Acetal copolymer (yellow)			
(6)	Stopper	HDV-1	Steel		Zi+Trivalent chromate conversion treatment	※ Optional
(7)	Mounting Rail	DAV,DAS	Aluminum			※ Optional

Rateds

Rating voltage	125 V	
Rating current	10A	
Connectable wire	1.25 mm <sup>2</sup> /MAX	
Insulation resistance	100M $\Omega$ or above (With DC500V)	
Withstand voltage	AC600V / 1minute	
Standard tightening torque	1.2N·m	
Operating ambient temperature	-15℃~+60℃(No freezing or condensation)	
Standard	JIS C 8201-7-1 NECA C 2811	

改番 REV.	訂正記事 DESCRIPTION OF REVISION	年月日 DATE	担当 BY

承認 APPROVED 菅沼 2015/10/8	検図 CHECKED 小松 2015/10/8	製図 DRAWING HATA 2015.10/ 8	設計 DESIGNED	名称 TITLE PCN-COM202
製品コード CODE No.		単位 UNIT mm	尺度 SCALE 1 / 1	番 DRAWING No. TA15267-01
公差 TOLERANCE			REV.	SHEET
東洋技研株式会社 TOYOGIKEN CO.,LTD.				