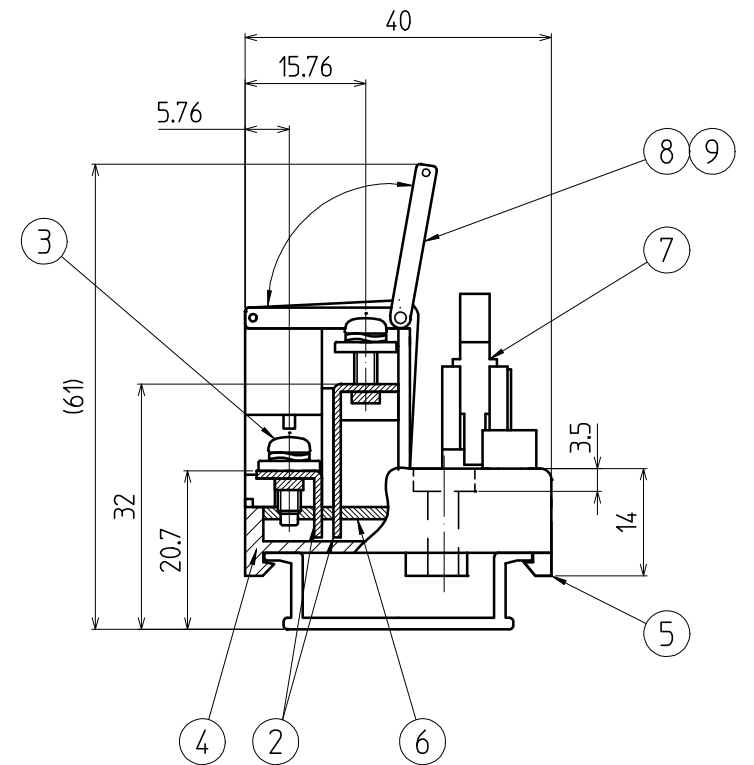
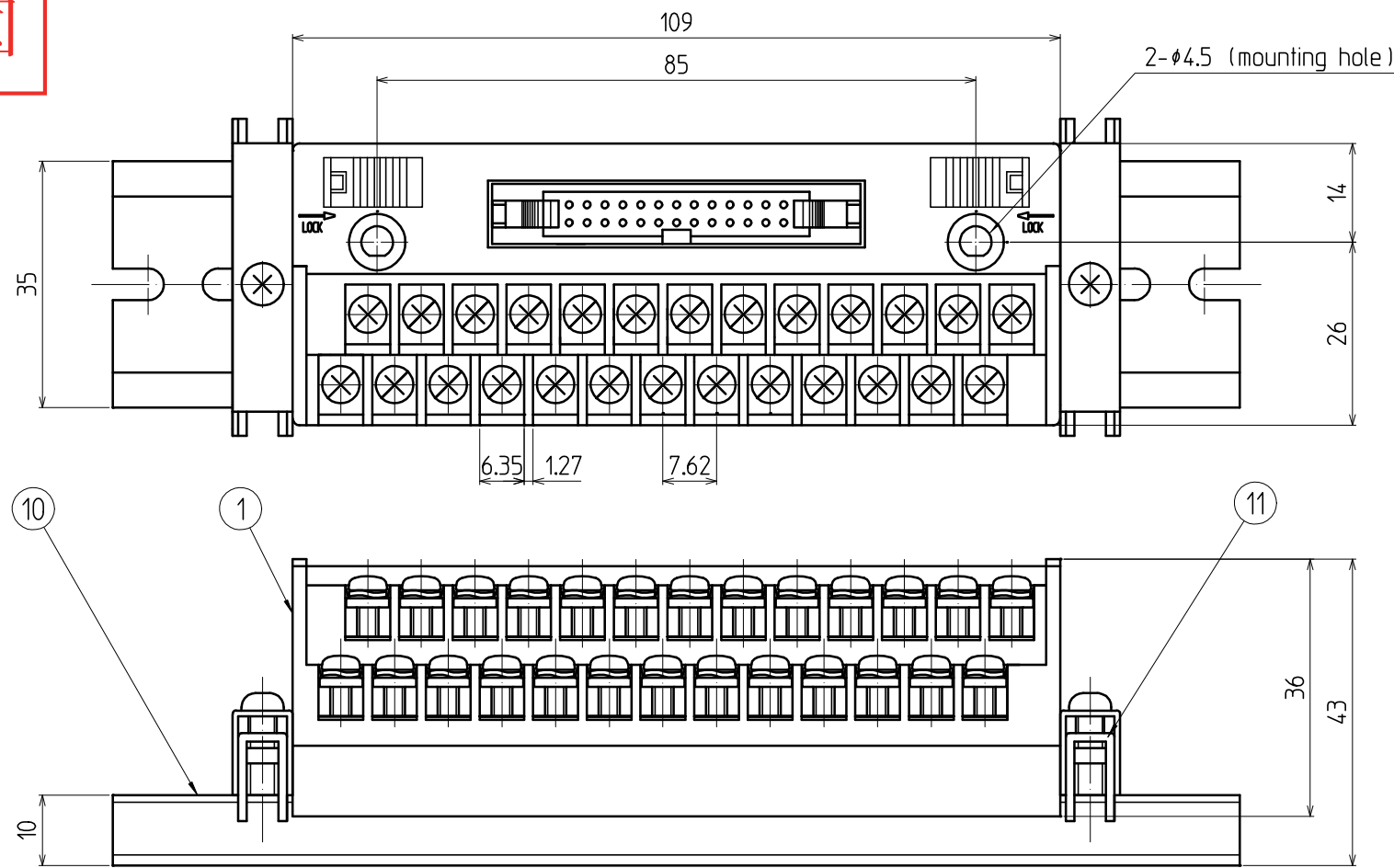


参考図

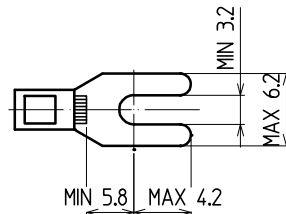


※1T only certified product  
 ※1H only certified product



Rateds

	JIS-NECA	UL(PCN-1H26) UL-cUL(PCN-1T26)	TUV	Applicable solderless terminal (mm)
Rating voltage	125 V	125 V	125 V	
Rating current	1A	1A	1A	
Connectable wire	1.25 mm <sup>2</sup>	AWG22~16	AWG22~16	
Insulation resistance	100MΩ or above (With DC500V)			
Withstand voltage	600V / 1minute			
Standard tightening torque	1.2N·m			
Operating ambient temperature	-15℃~+60℃(No freezing or condensation)			
Standard	JIS C 8201-7-1 NECA C 2811	UL1059 C22.2 No158	EN60947-7-1	



Name Plate

B1	B2	B3	B4	B5	B6	B7	B8	B9	B10	B11	B12	B13
A1	A2	A3	A4	A5	A6	A7	A8	A9	A10	A11	A12	A13

Specifications

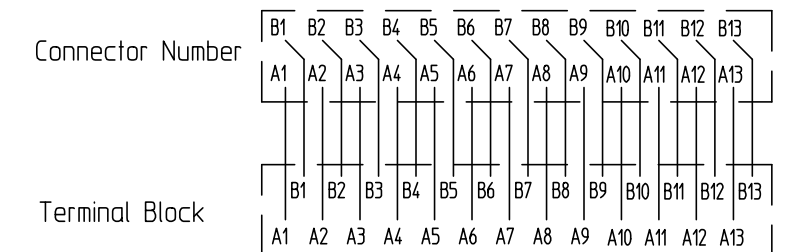
No	Description	Type	Material	Size	Surface treatment	Remarks
1	Terminal Block		Modified PPE (Gray)			UL94V-0
2	Conductive Plate A,B		Brass	t=1	Sn	
3	Connection screw		Steel	M3X9.5L	Ni	±Free terminal screw with spring
4	Under case		Modified PPE (Gray)			UL94V-0
5	Rail latch		Acetal copolymer (yellow)			
6	Substrate		Glass-epoxy	t=1.6		
7	Connector					Another description
8	Cover		Polycarbonate			
9	Name Plate		Paper			
(10)	Mounting Rail	DAV,DAS	Aluminum			※ Optional
(11)	Stopper	HDV-1	Steel		Zi+Trivalent chromate conversion treatment	※ Optional

Mounting connector

Terminal type	Connector type
PCN-1H26	HIF3BA-26PA-2.54DSA (63) (HIROSE)
PCN-1J26	PS-26PE-D4T1-LP1 (JAE)
PCN-1T26	XG4A-2631 (OMRON)

Connecting Diagram

Top View



改番 REV.	訂正記事 DESCRIPTION OF REVISION	年月日 DATE	担当 BY

承認 APPROVED 菅沼 2012/10/24	検閲 CHECKED 小松 2012/10/24	製図 DRAWING 宮澤 2012.10/24	設計 DESIGNED	名称 TITLE PCN-1*26
製品コード CODE No.		単位 UNIT mm	尺度 SCALE 1/1	Specifications
東洋技研株式会社 TOYOGIKEN CO.,LTD.			公差 TOLERANCE	図番 DRAWING No. TA12216-01
REV. SHEET				△