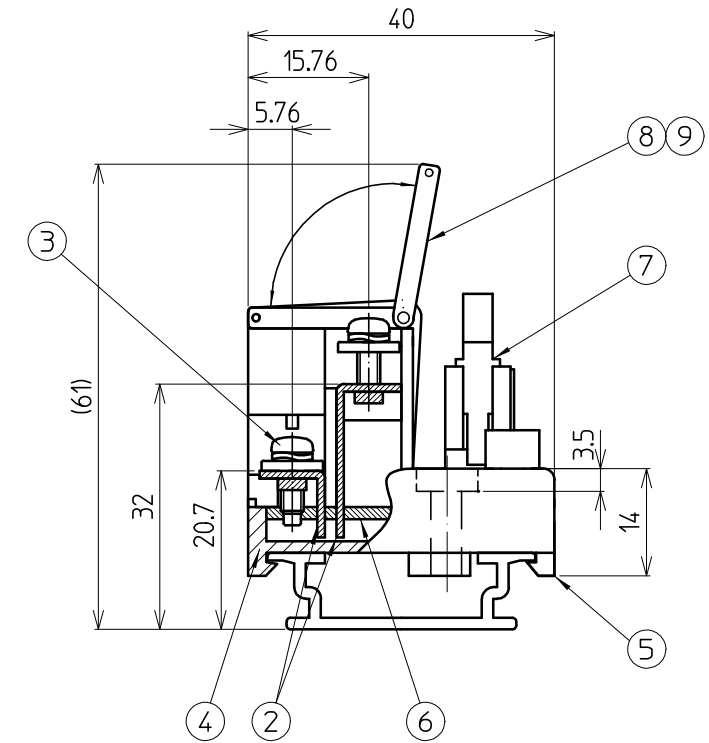
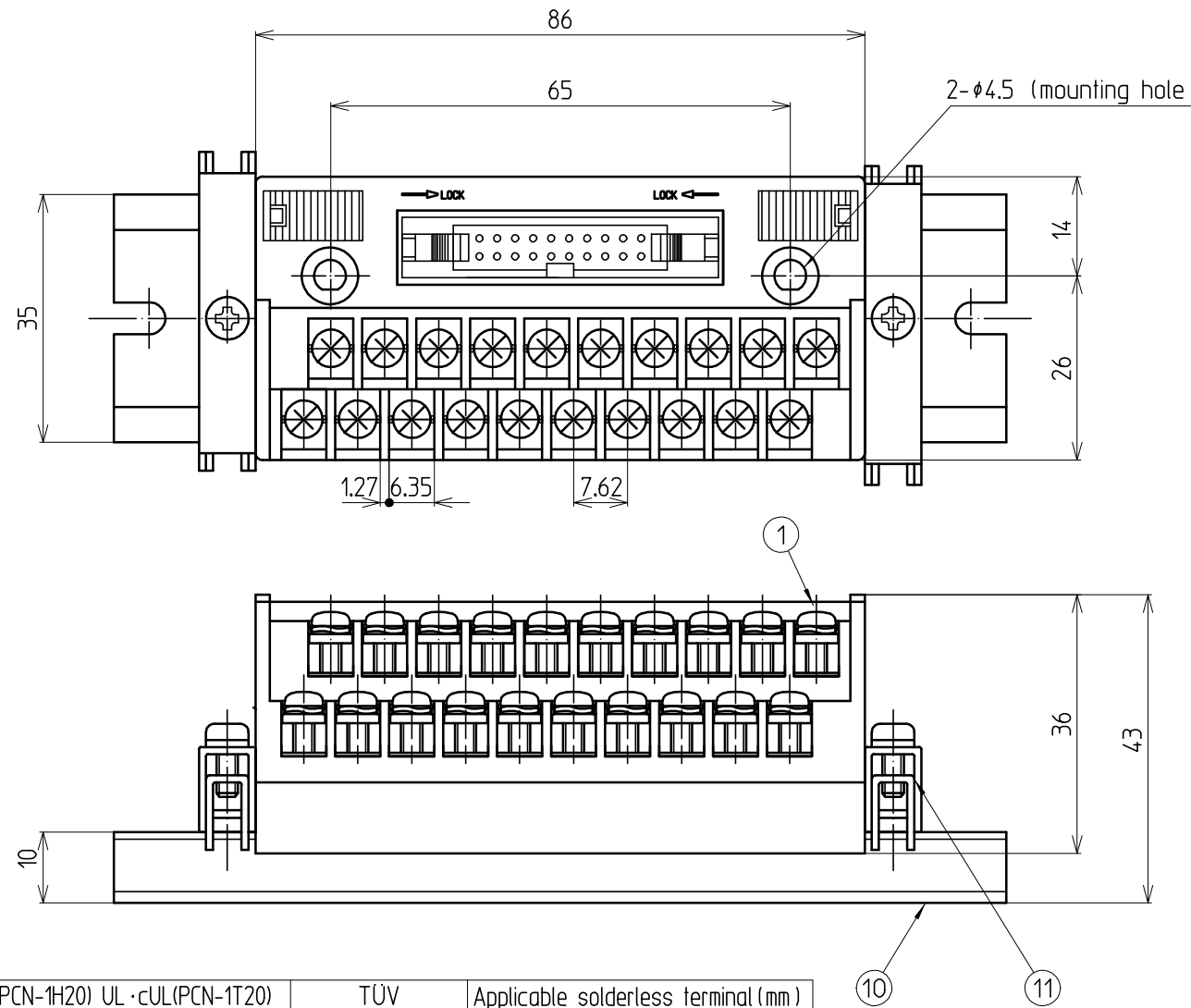


参考図



※1T only certified product
 ※1H only certified product



Rateds

	JIS	UL(PCN-1H20) UL·cUL(PCN-1T20)	TÜV	Applicable solderless terminal (mm)
Rating voltage	125 V	125 V	125 V	
Rating current	1A	1A	1A	
Connectable wire	1.25 mm ²	AWG22~16	AWG22~16	
Insulation resistance	100M Ω or above (With DC500V)			
Withstand voltage	600V / 1minute			
Standard tightening torque	1.2N·m			
Operating ambient temperature	-15℃~+60℃(No freezing or condensation)			
Standard	JIS C 8201-7-1 (JIS C 2811)	UL1059 C22,2 No158	EN60947-7-1	

Specifications

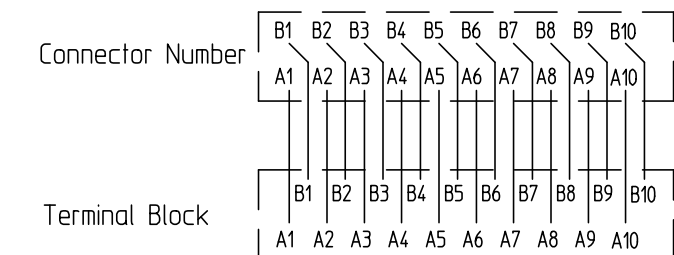
No	Description	Type	Material	Size	Surface treatment	Remarks
1	Terminal Block		Modified PPE (Gray)			UL94V-0
2	Conductive Plate A,B		Brass	t=1	Sn	
3	Connection screw		Steel	M3X9.5L	Ni	±Free terminal screw with spring
4	Under case		Modified PPE (Gray)			UL94V-0
5	Rail latch		Acetal copolymer (yellow)			
6	Substrate		Glass-epoxy	t=1.6		
7	Connector					Another description
8	Cover		Polycarbonate			
9	Name Plate		Paper			
(10)	Mounting Rail	DAV,DAS	Aluminum			※ Optional
(11)	Stopper	HDV-1	Steel		Zi+Trivalent chromate conversion treatment	※ Optional

Name Plate

	B1	B2	B3	B4	B5	B6	B7	B8	B9	B10
	A1	A2	A3	A4	A5	A6	A7	A8	A9	A10

Connecting Diagram

Top View



Mounting connector

Terminal type	Connector type
PCN-1H20	HIF3BA-20PA-2.54DSA (63) (HIROSE)
PCN-1J20	PS-20PE-D4T1-LP1 (JAE)
PCN-1T20	XG4A-2031 (OMRON)

承認 APPROVED 菅沼 2012/10/24	検閲 CHECKED 小松 2012/10/24	製図 DRAWING 宮澤 2012.10/24	設計 DESIGNED	名称 TITLE PCN-1※20
製品コード CODE No.		単位 UNIT mm	尺度 SCALE 1 / 1	Specifications
東洋技研株式会社 TOYOGIKEN CO.,LTD.			公差 TOLERANCE	図番 DRAWING No. TA12215-01
改番 REV.	訂正記事 DESCRIPTION OF REVISION	年月日 DATE	担当 BY	REV. SHEET

