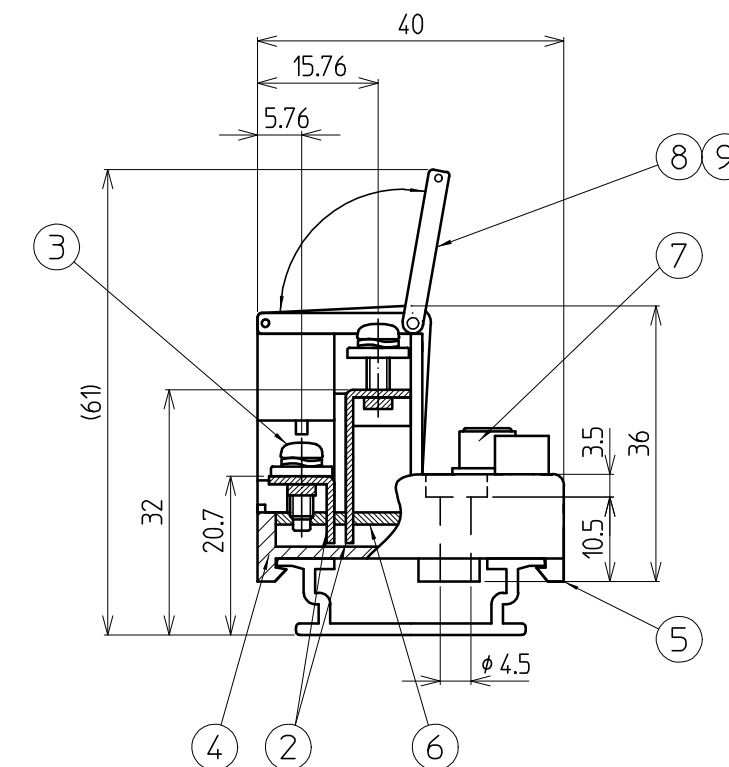
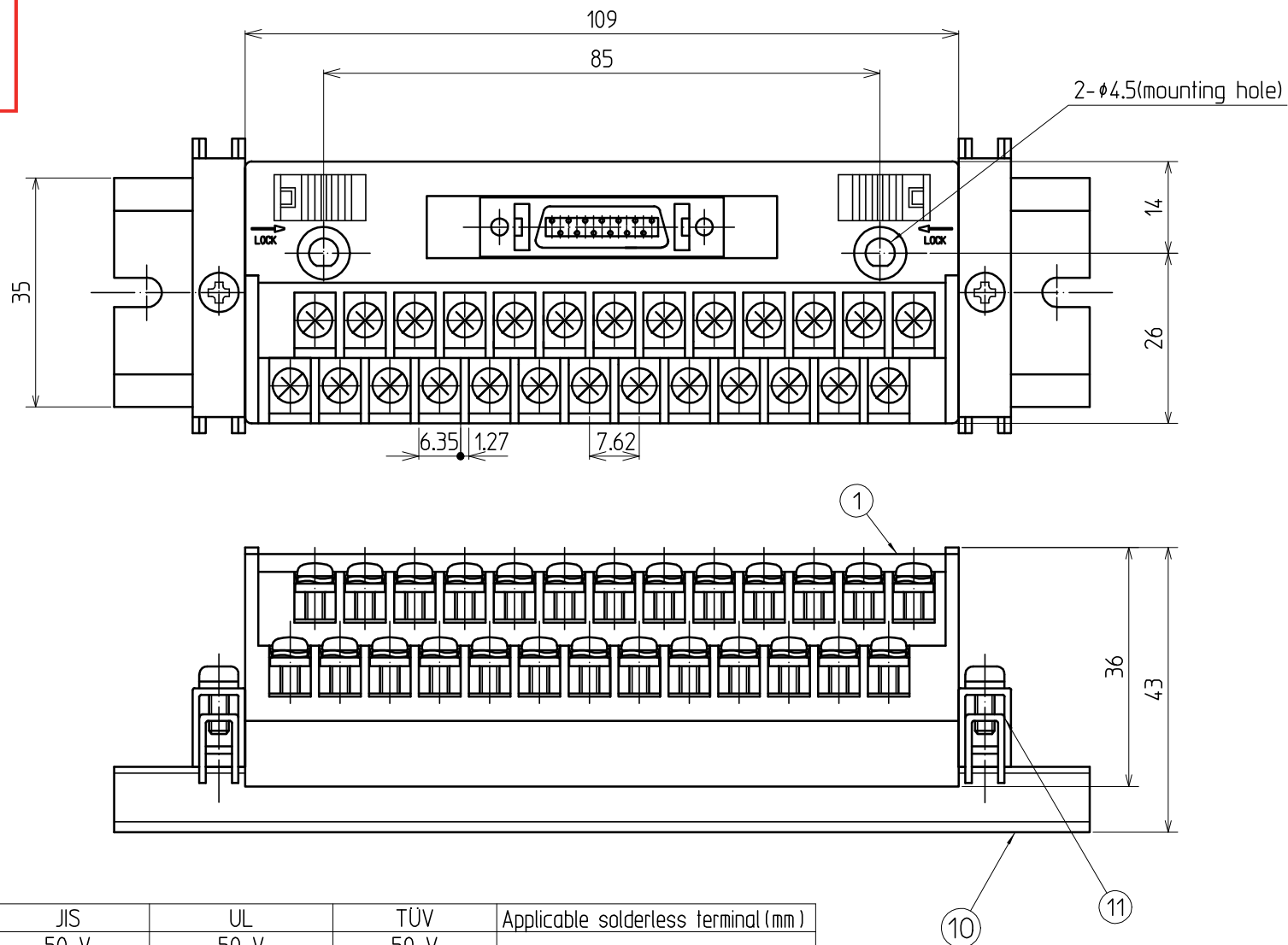


参考図



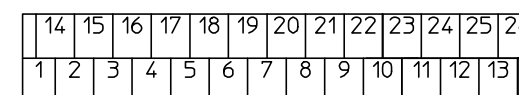
Rateds

	JIS	UL	TÜV	Applicable solderless terminal (mm)
Rating voltage	50 V	50 V	50 V	
Rating current	0.5A	0.5A	0.5A	
Connectable wire	1.25 mm ²	AWG22~16	AWG22~16	
Insulation resistance	100M Ω or above (With DC500V)			
Withstand voltage	500V / 1minute			
Standard tightening torque	1.2N·m			
Operating ambient temperature	-15℃~+60℃(No freezing or condensation)			
Standard	JIS C 8201-7-1 (JIS C 2811)	UL1059	EN60947-7-1	

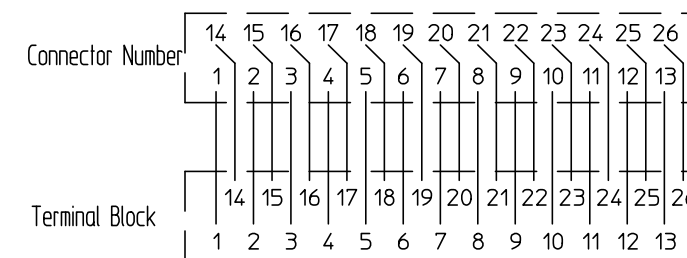
Specifications

No	Description	Type	Material	Size	Surface treatment	Remarks
1	Terminal Block		Modified PPE (Gray)			UL94V-0
2	Conductive Plate A,B		Brass	t=1	Sn	
3	Connection screw		Steel	M3X9.5L	Ni	±Free terminal screw with spring
4	Under case		Modified PPE (Gray)			UL94V-0
5	Rail latch		Acetal copolymer (yellow)			
6	Substrate		Glass-epoxy	t=1.6		
7	Connector					10226-6202PL(SUMITOMO3M)
8	Cover		Polycarbonate			
9	Name Plate		Paper			
(10)	Mounting Rail	DAV,DAS	Aluminum			※ Optional
(11)	Stopper	HDV-1	Steel		Zi+Trivalent chromate conversion treatment	※ Optional

Name Plate



Connecting Diagram
Top View



承認 APPROVED 菅沼 2012/10/24	検閲 CHECKED 小松 2012/10/24	製図 DRAWING 宮澤 2012.10/24	設計 DESIGNED	名称 TITLE PCN-10S26
製品コード CODE No.		単位 UNIT mm	尺度 SCALE 1/1	規格 Specifications
東洋技研株式会社 TOYOGIKEN CO.,LTD.		公差 TOLERANCE		図番 DRAWING No. TA12228-01
改番 REV.	訂正記事 DESCRIPTION OF REVISION	年月日 DATE	担当 BY	REV. SHEET

