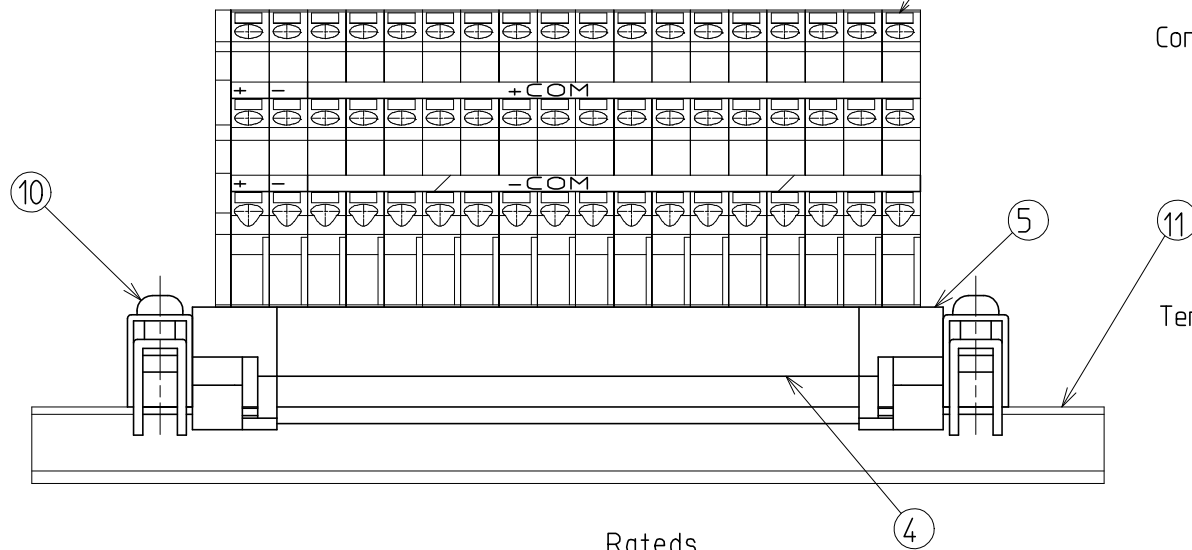
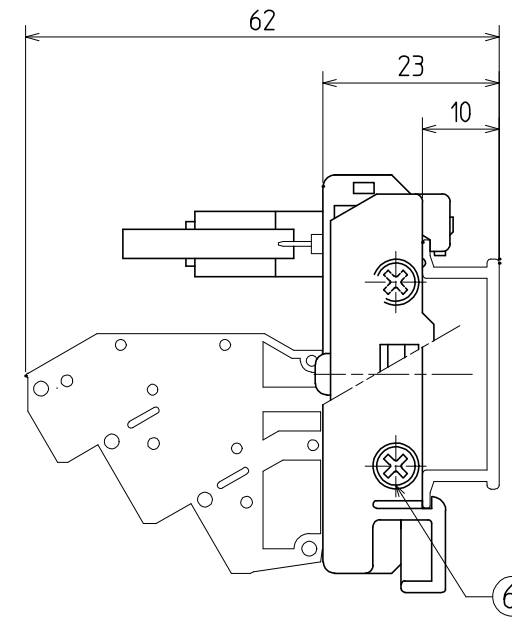
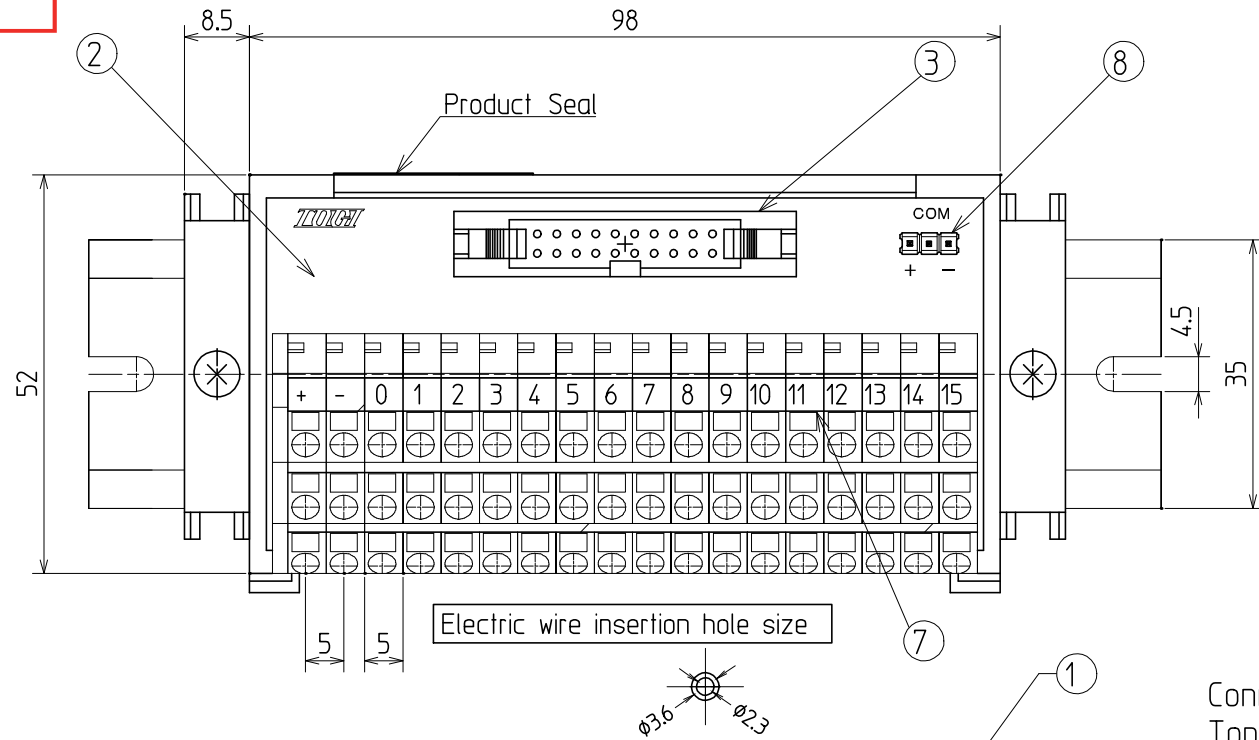
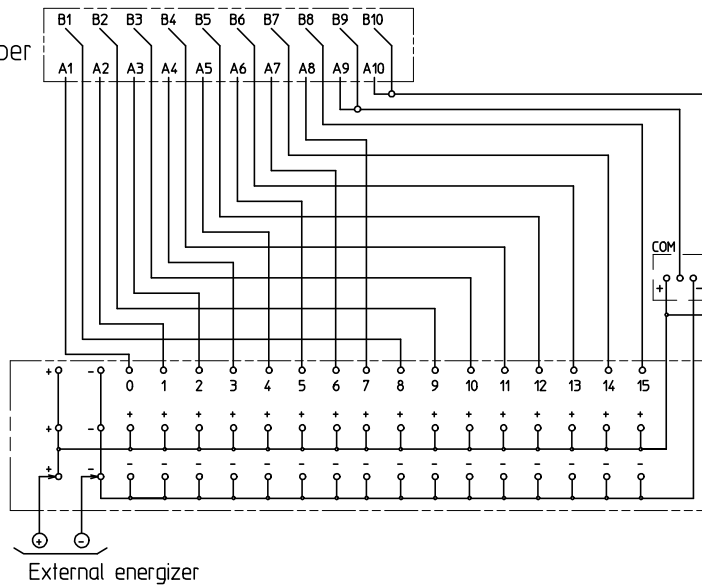


# 参考図



Connecting Diagram  
Top View

Connector Number



A jumper setup of COM

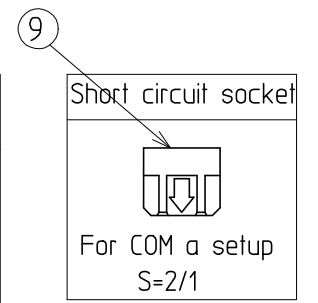
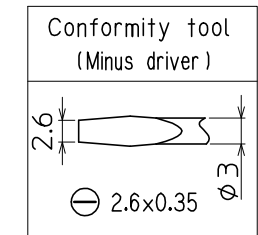
OMRON	MITSUBISHI
 COM + - ※-COM connection	 COM + - ※-COM connection
C500-ID218CN	FX1N-16MT
C500-ID501CN	FX1N-32MT
C500-OD415CN	FX2NC-16MT
C500-ID501CN	FX2NC-32MT
C500-MD211CN	FX2NC-64MT
C200-ID215	FX2NC-96MT
C200-ID501	FX2C-64MT
C200-OD215	FX2C-96MT
C200-OD501	FX2C-128MT
C200-MD215	FX2C-160MT
C200-MD501	
※When using the sequencer of OMRON, a jumper connects either + or -.	※When using the sequencer of MITSUBISHI, a jumper connects to -.
Conformity cable KB20S-1H4F-※M ※produces after an order.	Conformity cable KB20S-1H1D-※M ※produces after an order.

## Specification

No.	Description	Material	Size	Surface Treatment	Remarks
1	Terminal Block	66Nylon(Glay)			UL94V-0
2	Substrate	Glass epoxy	t=1.6		
3	Connector				HIF3BA-20PA-2.54DSA (63) (HIROSE)
4	Case	PVC(Glay)	L=76		
5	Side Plate RL	Modified PPE (Glay)			UL94V-0
6	Fixed screw	Steel	M3X12L	Zn	+Screw
7	Name Seal	Synthetic paper			
8	Short circuit connector				XG8S-0331(OMRON)
9	Short circuit socket				XJ8A-0211(OMRON)
(10)	Stopper	Steel		Zn	HDV-1 (※Option)
(11)	Rail	Aluminum	DIN35mm		DAV.DAS (※Option)

## Rateds

	JIS·NECA	TUV
Rating voltage	125V	125V
Rating current	1A	1A
Connectable wire	Single	φ0.5~φ1.6
	Twist	1.25mm <sup>2</sup> / MAX
Insulation resistance	100MΩ or above (With DC500V)	
Withstand voltage	600V / 1minute	
The exfoliation length of a wire	9~10mm	
Operating ambient temperature	-25℃~+60℃(No freezing or condensation)	
Relative humidity	45~85%	
Standard	JIS C 8201-7-1 (NECA C 2811)	EN60947-7-1



改番 REV.	訂正記事 DESCRIPTION OF REVISION	年月日 DATE	担当 BY

承認 APPROVED 菅沼 2012/12/19	検図 CHECKED 小松 2012/12/19	製図 DRAWNG 宮澤 2012.12/19	設計 DESIGNED	名称 TITLE
製品コード CODE No.				PCIV-1H20-L2
単位 UNIT mm				尺度 SCALE 1 / 1
公差 TOLERANCE				図番 DRAWNG No. TA12345-01
東洋技研株式会社 TOYOGIKEN CO.,LTD.				REV. SHEET 1 / 1