

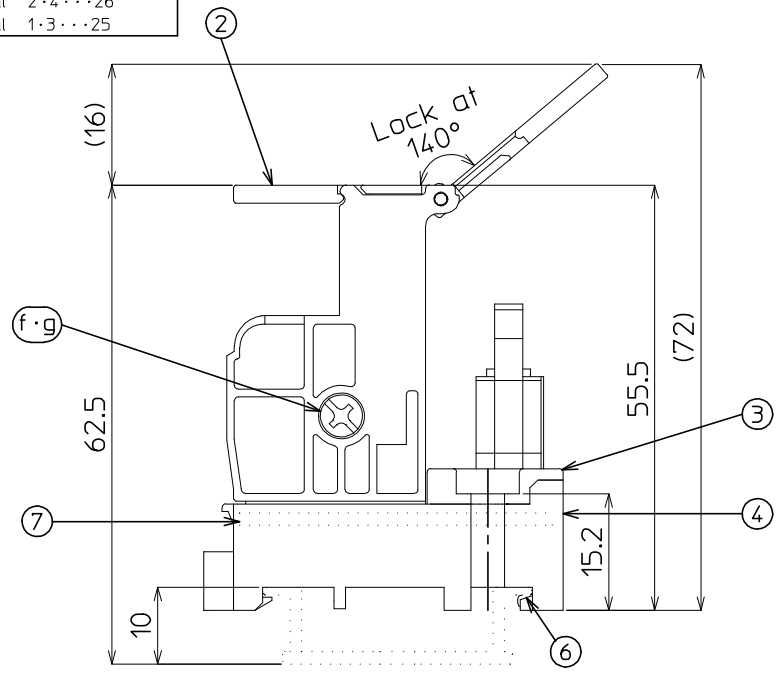
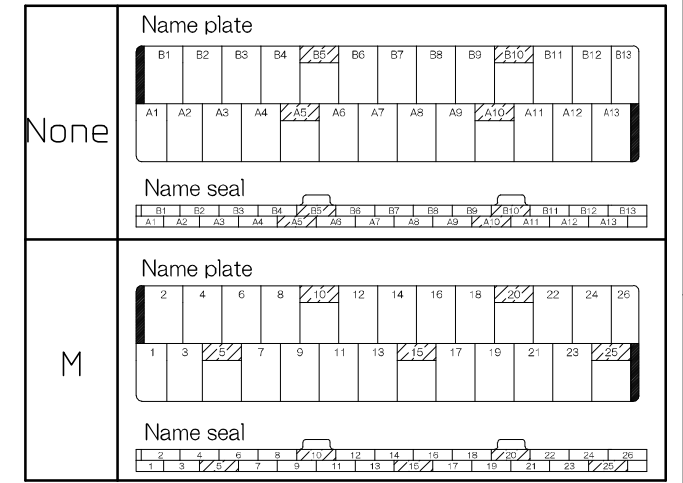
Order form
PCA7-□□26-□

| Maker & Connector | |
|-------------------|--|
| 1H | Maker/HIROSE Form/HIF3BA-26PA-2540SA (63) |
| 1T | Maker/OMRON Form/XG4A-2631 |

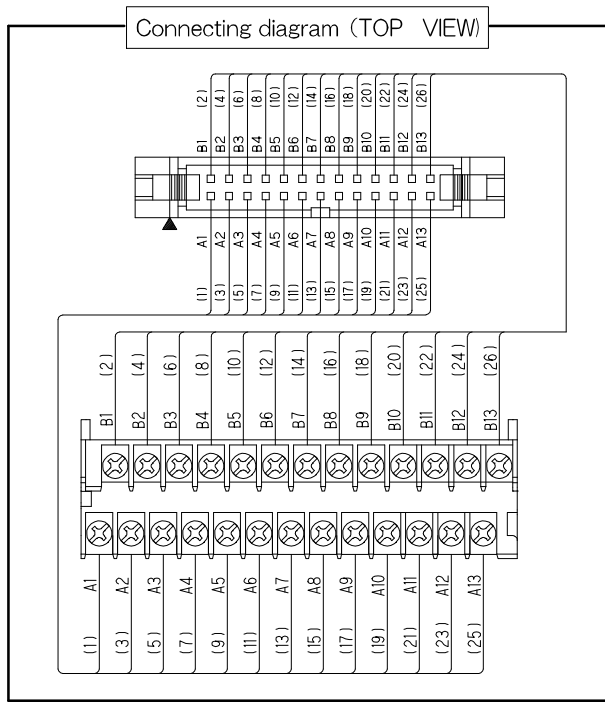
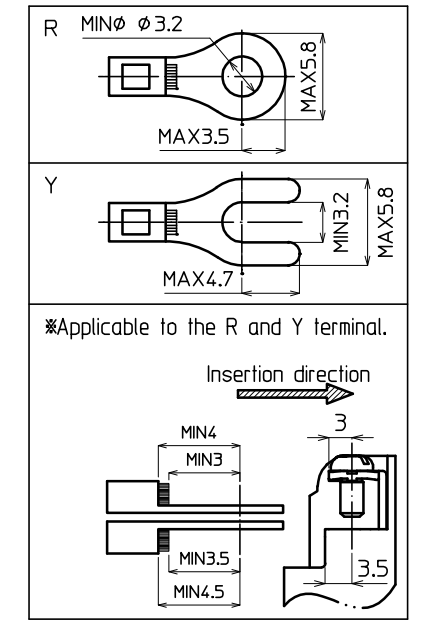
| The contents of printing type (Fig.1) | |
|---------------------------------------|--|
| None | Upper terminal B1~B13 Lower terminal A1~A13 |
| M | Upper terminal 2·4···26 Lower terminal 1·3···25 |



⑨ 【 Fig.1 】 The contents of printing type



Applicable solderless terminal



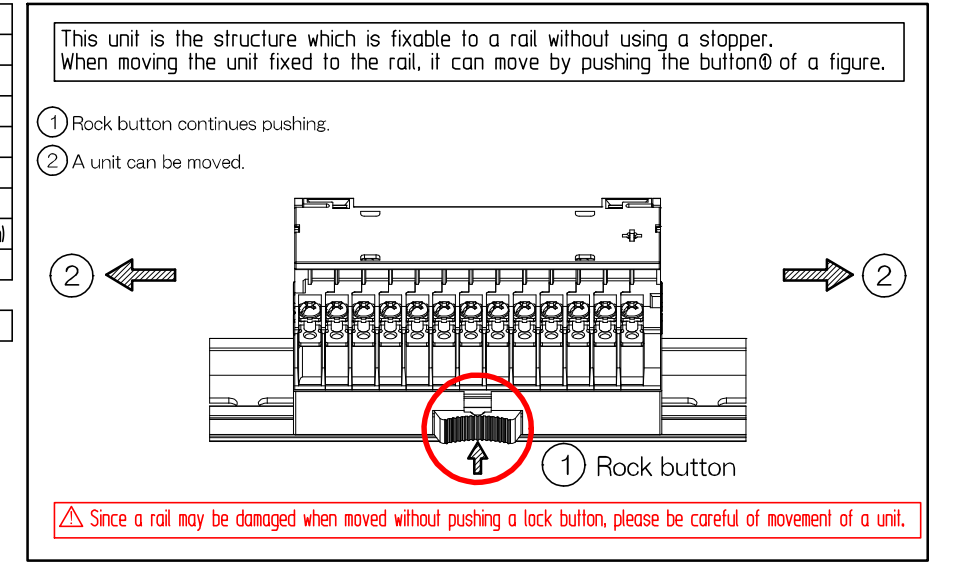
Specification

| No. | Description | Material | Surface Treatment | Remarks |
|-----|------------------|-----------------------|-------------------|---------------------------------|
| 1 | Terminal Block | | | |
| a | Base | Modified PPE (Black) | | UL94V-0 |
| b | Conductive Plate | Copper alloy | Sn | |
| c | Washer | Steel | Zn | |
| d | Spring | SUS | | *Springs is Built-in |
| e | Terminal Screw | Steel | Zn | |
| f | Screw | Steel | Zn | |
| g | Nut | Steel | Zn | |
| 2 | Cover | Polycarbonate (Clear) | | UL94V-2 |
| 3 | Upper case | Modified PPE (Black) | | UL94V-0 |
| 4 | Lower case | Modified PPE (Black) | | UL94V-0 |
| 5 | Lock button | POM (yellow) | | |
| 6 | Spring | SUS | | |
| 7 | Substrate | Glass epoxy | | |
| 8 | Connector | | | Another description |
| 9 | Name Plate | | | |
| 10 | Name seal | | | |
| 11 | Seal of form | | | |
| 12 | Screw | Steel | Zn | *Tightening from the lower case |
| 13 | Rail DIN35mm | | | * Optional |

Rates

| | |
|-------------------------------|---------------------------------------|
| Rating voltage | 125 V |
| Rating current | 1 A |
| Insulation resistance | 100MΩ or above (With DC500V) |
| Withstand voltage | AC500V / 1minute |
| Connectable wire | 1.25 mm ² / MAX |
| Size of terminal screw | M3X6L |
| Standard tightening torque | 0.8N·m |
| Operating ambient temperature | -5℃~+60℃(No freezing or condensation) |
| Relative humidity | 45~85% |
| Weight | 138g |

How to move the unit attached to the DIN (35-mm width) rail



参考図

| 改番 REV. | 訂正記事 DESCRIPTION OF REVISION | 年月日 DATE | 担当 BY |
|---------|------------------------------|----------|-------|
| | | | |

| | | | | |
|--------------------------------|-------------------------------|--------------------------------|-------------------|---|
| 承認 APPROVED 菅沼 2016/6/15 | 検図 CHECKED 小松 2016/6/15 | 製図 DRAWING 宮澤 2016. 6/15 | 設計 DESIGNED | 名称 TITLE PCA7-□□26-□ Specifications |
| 製品コード CODE No. | | 単位 UNIT mm | 尺度 SCALE 1 / 1 | 図番 DRAWNG No. TA16244-01 |
| 公差 TOLERANCE | | REV. SHEET 1 / 1 | | 東洋技研株式会社 TOYOGIKEN CO.,LTD. |