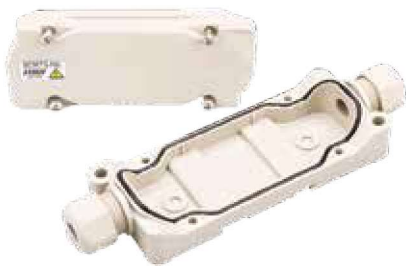


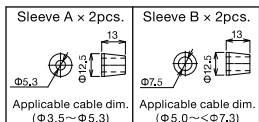
IP67



BOXTS-N6

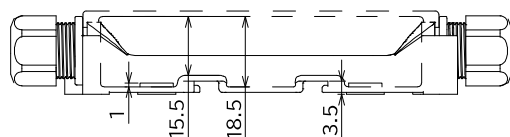
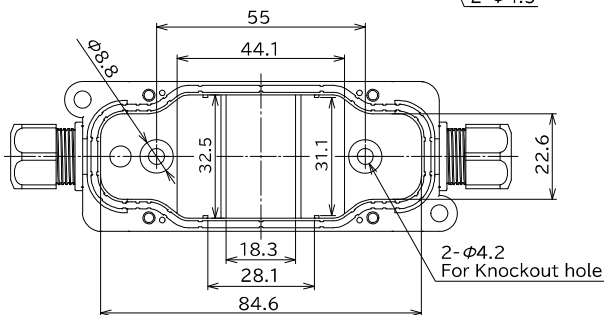
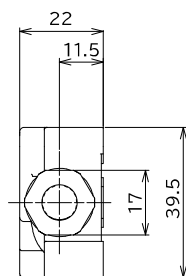
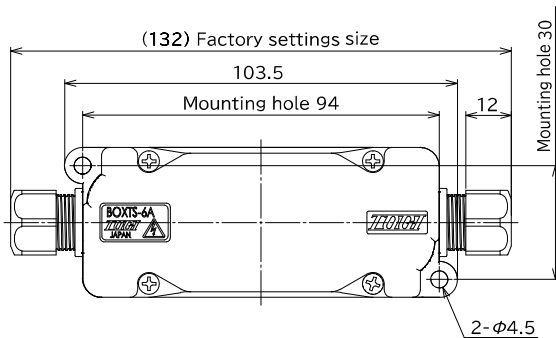
Weight : 58g Sales lot : 1pc

Bundled sleeves



*Sleeve B : Pre-installed at the factory

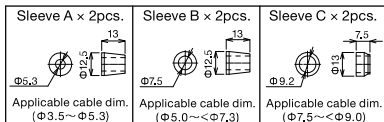
Dimension



BOXTS-N6A

Weight : 57g Sales lot : 1pc

Bundled sleeves



*Sleeve C : Pre-installed at the factory

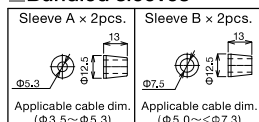
250V / 15A / 6poles



BOXTS-6

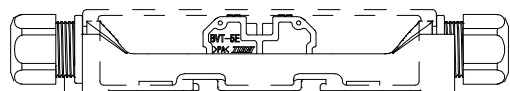
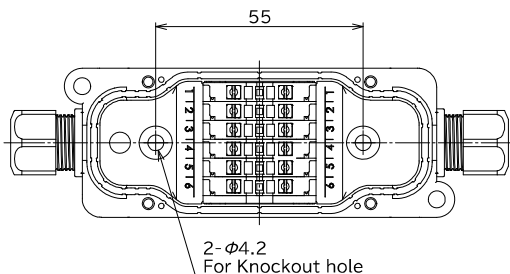
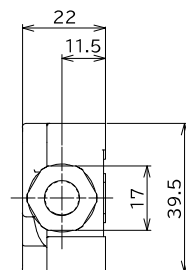
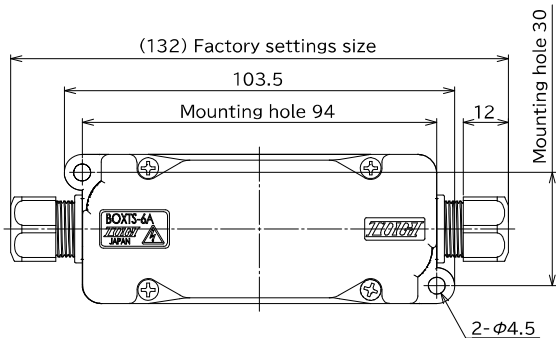
Weight : 74g Sales lot : 1pc

Bundled sleeves



*Sleeve B : Pre-installed at the factory

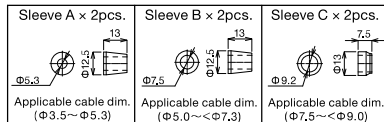
Dimension



BOXTS-6A

Weight : 73g Sales lot : 1pc

Bundled sleeves



*Sleeve C : Pre-installed at the factory

Applicable Short bar

BBVT5-2, 3, 4, 6 (see P.11)

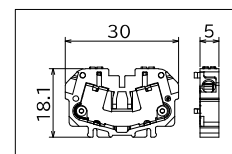
Applicable ferrule and wire for terminal block

Ferrule	Stranded	Solid
0.25mm ² ~1.5mm ² / AWG24~AWG16 DIN46228-4	0.08mm ² ~1.5mm ² / MAX AWG28~AWG16	φ0.5~φ1.6

Sticker label

1
2
3
4
5
6
250V 15A

Terminal block



IP67