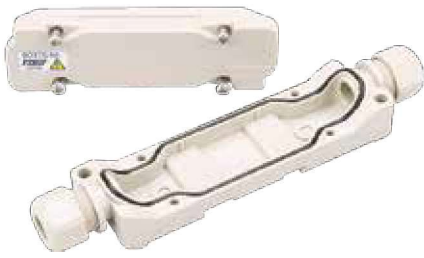


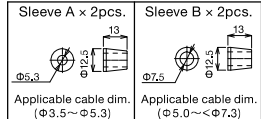
IP67



## BOXTS-N4

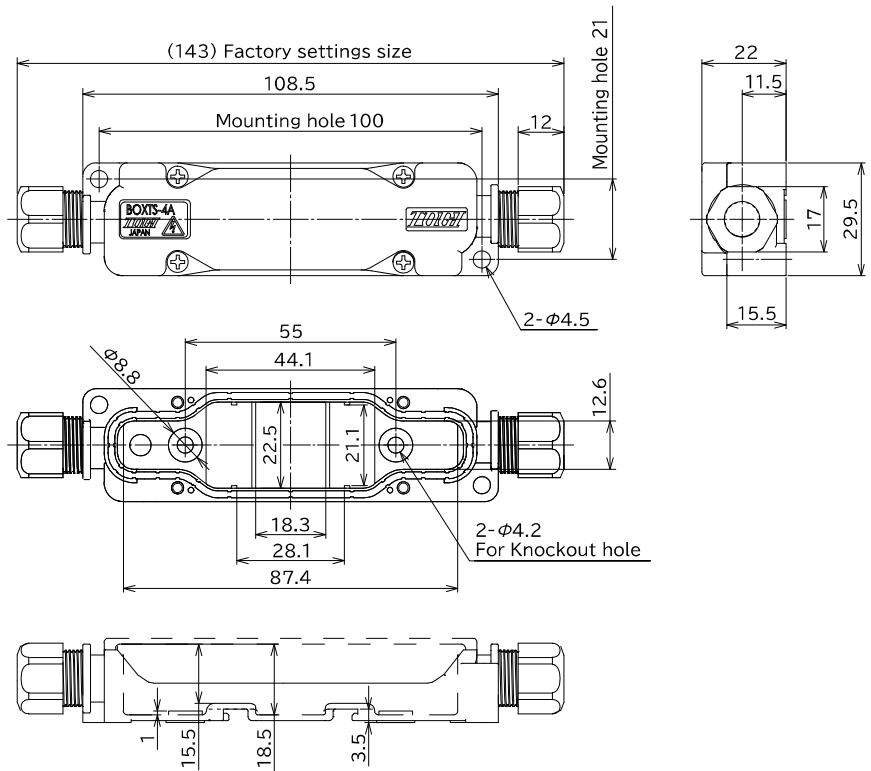
Weight : 53g Sales lot : 1pc

### Bundled sleeves



\*Sleeve B : Pre-installed at the factory

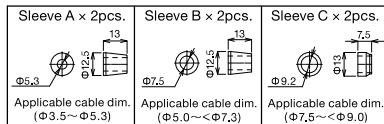
### Dimension



## BOXTS-N4A

Weight : 51g Sales lot : 1pc

### Bundled sleeves



\*Sleeve C : Pre-installed at the factory

## 250V / 15A / 4poles

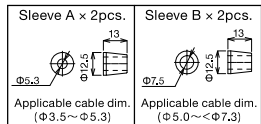
IP67



## BOXTS-4

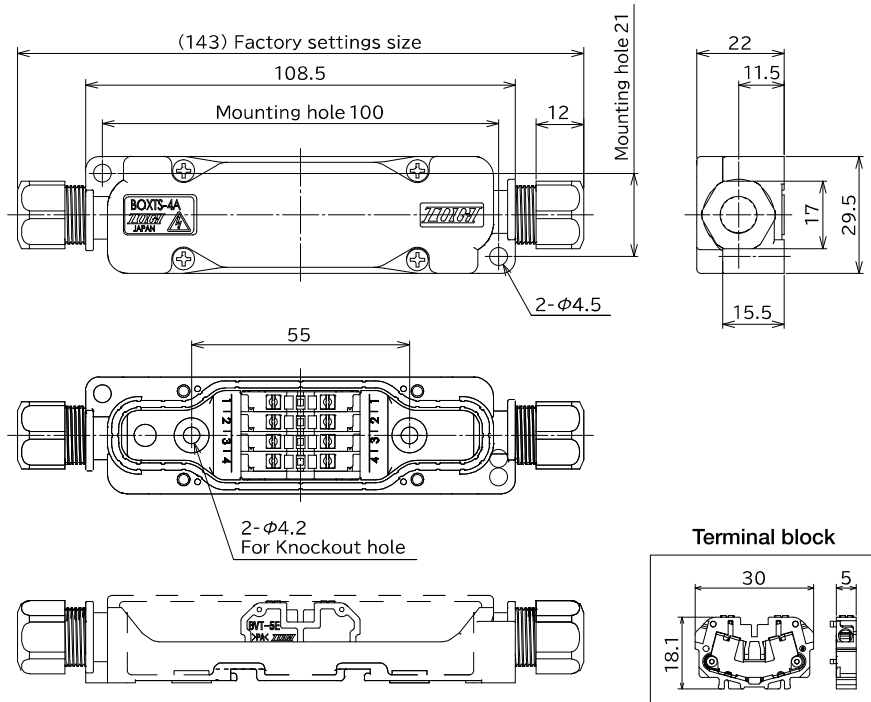
Weight : 64g Sales lot : 1pc

### Bundled sleeves



\*Sleeve B : Pre-installed at the factory

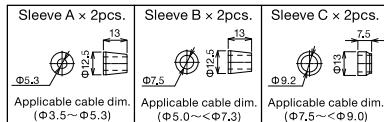
### Dimension



## BOXTS-4A

Weight : 62g Sales lot : 1pc

### Bundled sleeves



\*Sleeve C : Pre-installed at the factory

### Applicable Short bar

BBVT5-2, 3, 4 (see P.11)

### Applicable ferrule and wire for terminal block

Ferrule	Stranded	Solid
0.25mm~1.5mm / AWG24~AWG16 DIN46228-4	0.08mm~1.5mm / MAX AWG28~AWG16	φ0.5~φ1.6

### Sticker label

