

IP67



BOXTS-N

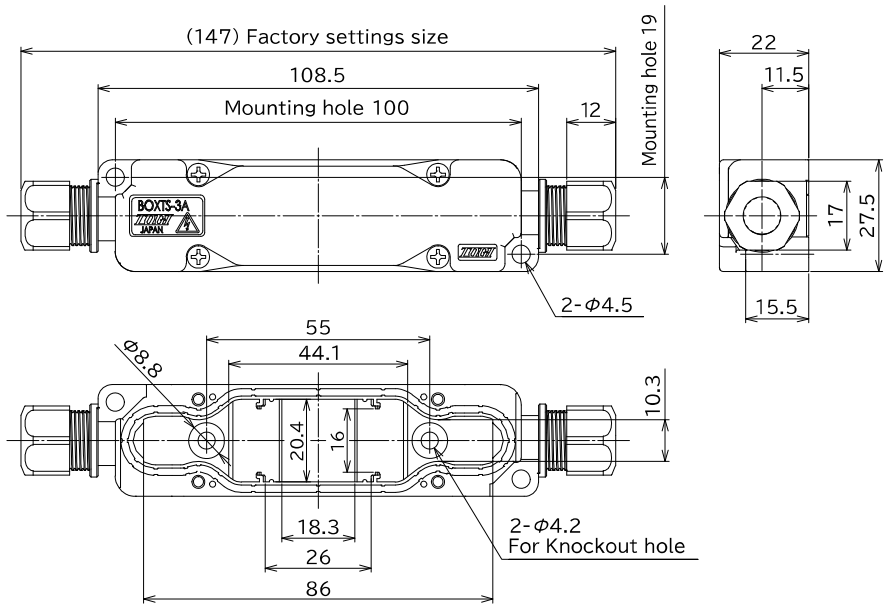
Weight : 53g Sales lot : 1pc

Bundled sleeves

Sleeve A x 2pcs. Applicable cable dim. (Φ3.5~Φ5.3)	Sleeve B x 2pcs. Applicable cable dim. (Φ5.0~<Φ7.3)
--	---

*Sleeve B : Pre-installed at the factory

Dimension



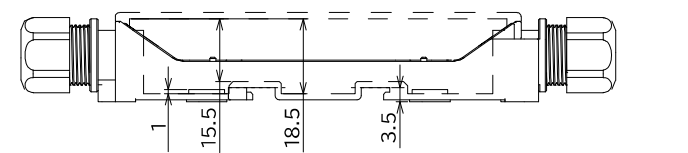
BOXTS-NA

Weight : 51g Sales lot : 1pc

Bundled sleeves

Sleeve A x 2pcs. Applicable cable dim. (Φ3.5~Φ5.3)	Sleeve B x 2pcs. Applicable cable dim. (Φ5.0~<Φ7.3)	Sleeve C x 2pcs. Applicable cable dim. (Φ7.5~<Φ9.0)
--	---	---

*Sleeve C : Pre-installed at the factory



250V / 15A / 3poles

IP67



BOXTS-3

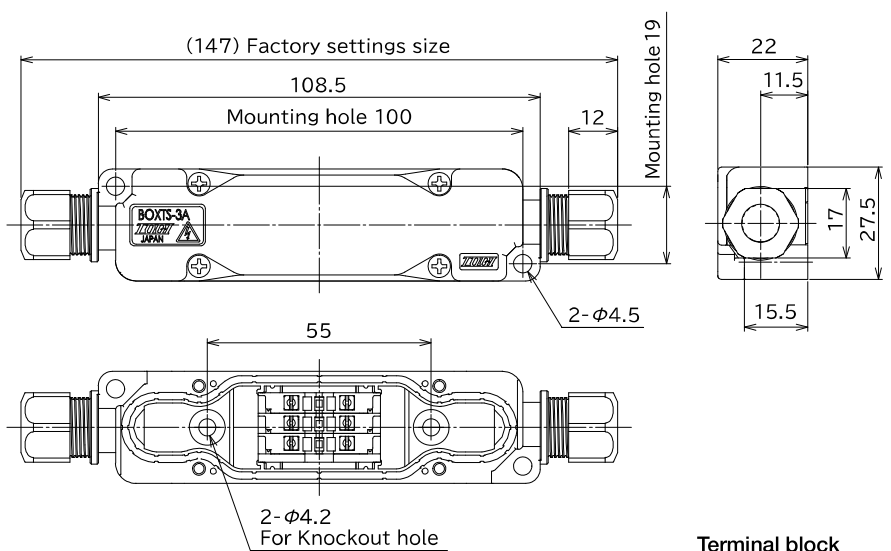
Weight : 61g Sales lot : 1pc

Bundled sleeves

Sleeve A x 2pcs. Applicable cable dim. (Φ3.5~Φ5.3)	Sleeve B x 2pcs. Applicable cable dim. (Φ5.0~<Φ7.3)
--	---

*Sleeve B : Pre-installed at the factory

Dimension



BOXTS-3A

Weight : 59g Sales lot : 1pc

Bundled sleeves

Sleeve A x 2pcs. Applicable cable dim. (Φ3.5~Φ5.3)	Sleeve B x 2pcs. Applicable cable dim. (Φ5.0~<Φ7.3)	Sleeve C x 2pcs. Applicable cable dim. (Φ7.5~<Φ9.0)
--	---	---

*Sleeve C : Pre-installed at the factory

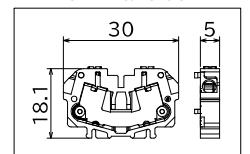
Applicable Short bar

BBVT5-2, 3 (see P.11)

Applicable ferrule and wire for terminal block

Ferrule	Stranded	Solid
0.25mm ² ~1.5mm ² / AWG24~AWG16 DIN46228-4	0.08mm ² ~1.5mm ² / MAX AWG28~AWG16	Φ0.5~Φ1.6

Terminal block



Sticker label

