

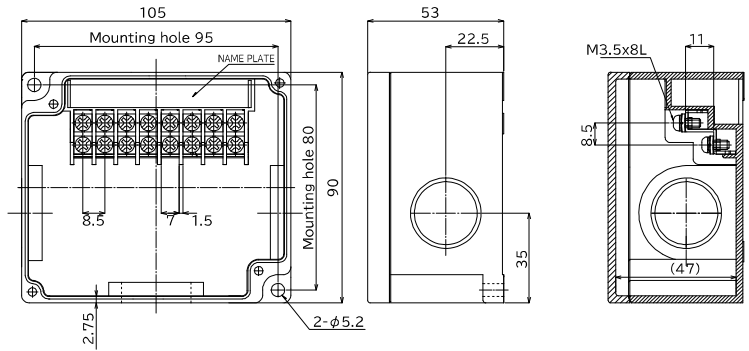
BOXTM-801

600V / 15A / 2mm² [Screw size M3.5] / 8poles

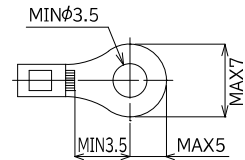


Weight: 234g
Inlet size: CTG22×2
Sales lot: 1pc

■ Dimension



■ Applicable crimp terminal



■ Applicable Short bar

BB8.5-2, 4, 8 (see P.20)

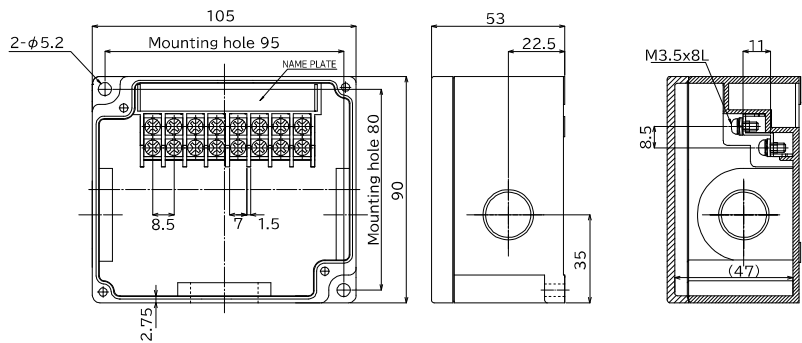
BOXTM-802

600V / 15A / 2mm² [Screw size M3.5] / 8poles

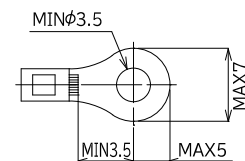


Weight: 244g
Inlet size: CTG16×3
Sales lot: 1pc

■ Dimension



■ Applicable crimp terminal



■ Applicable Short bar

BB8.5-2, 4, 8 (see P.20)