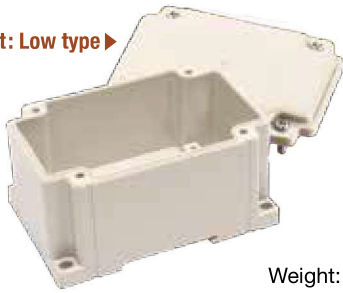


BOXTM-60L

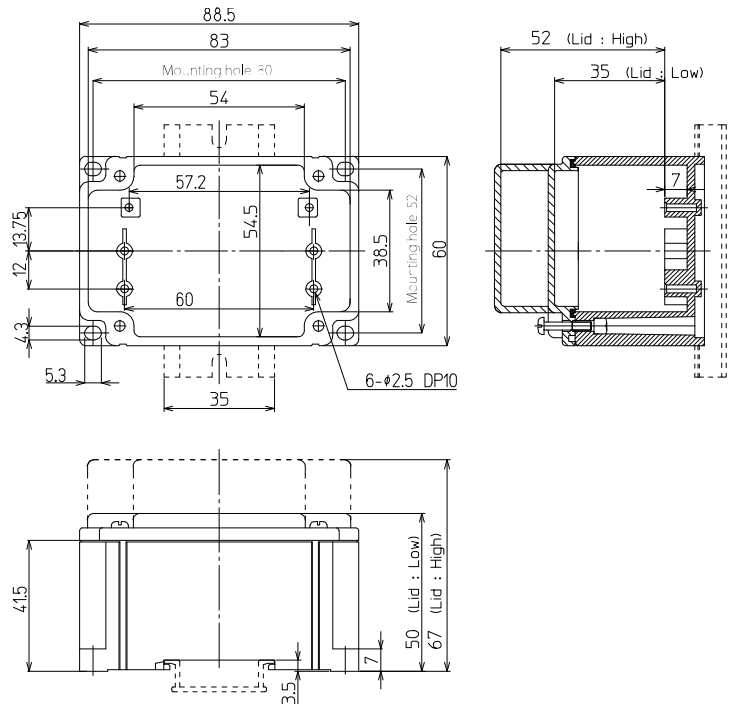
IP67

Lid height: Low type ▶



Weight: 103g
Sales lot: 1pc

■ Dimension



BOXTM-60H

Lid height: High type ▶



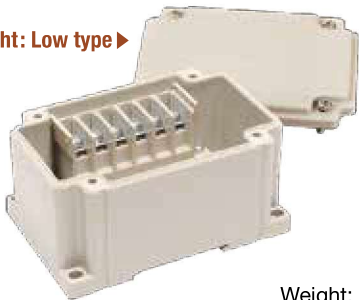
Weight: 115g
Sales lot: 1pc

BOXTM-61L

IP67

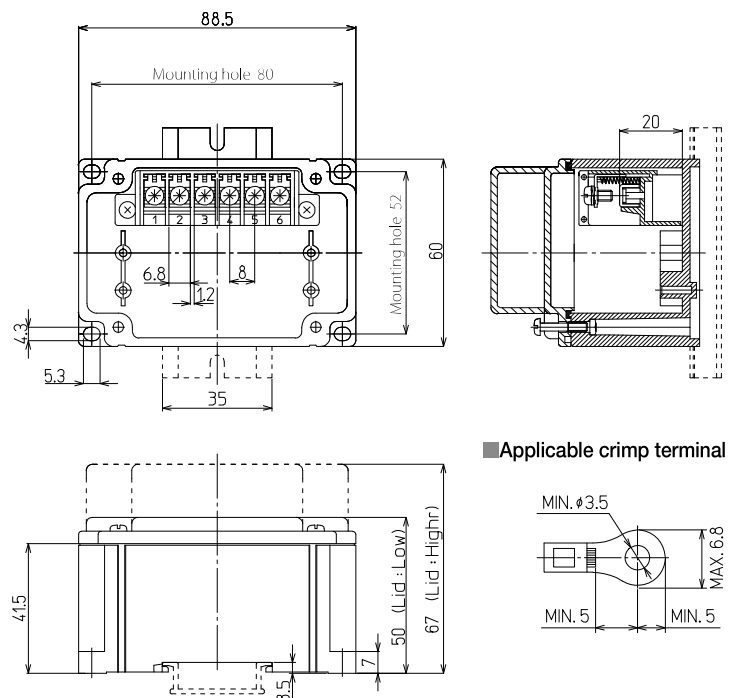
600V / 15A / 2mm² [Screw size M3.5] / 6poles

Lid height: Low type ▶



Weight: 130g
Sales lot: 1pc

■ Dimension



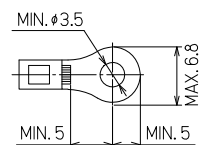
BOXTM-61H

Lid height: High type ▶



Weight: 141g
Sales lot: 1pc

■ Applicable crimp terminal



■ Applicable Short bar

BB8A-2, 4, 6 (see P.36)