

Number of Poles and Holes

IP67

Direct mounting type (Standard and Populer series)

Part No.	No. of T/B Poles	Direct mounting	IEC/DIN 35mm Rail mounting	No. of Holes	Hole Size	Page
BOXTM-401	4	○	N/A	2	CTG16	P.25
BOXTM-801	8	○	N/A	3	CTG22	P.26
BOXTM-802	8	○	N/A	3	CTG16	P.26
BOXTM-1001	10	○	N/A	0	-	P.28
BOXTM-1002	10	○	N/A	2	φ21	P.28
BOXTM-1003	10	○	N/A	2	φ21	P.29
BOXTM-2000	Not Terminal Block	○	N/A	0	-	P.30
BOXTM-2001	20	○	N/A	0	-	P.30
BOXTM-2002	20	○	N/A	6	4-φ21 / 2-φ27	P.31
BOXTM-2003	Not Terminal Block	○	N/A	6	4-φ21 / 2-φ27	P.31

IEC/DIN 35mm rail mounting type

Part No.	No. of T/B Poles	Direct mounting	IEC/DIN 35mm Rail mounting	No. of Holes	Hole Size	Page
BOXTM-60L	Not Terminal Block	○	○	0	-	P.33
BOXTM-60H	Not Terminal Block	○	○	0	-	P.33
BOXTM-61L	6	○	○	0	-	P.33
BOXTM-61H	6	○	○	0	-	P.33
BOXTM-110L	Not Terminal Block	○	○	0	-	P.34
BOXTM-110H	Not Terminal Block	○	○	0	-	P.34
BOXTM-111L	11	○	○	0	-	P.34
BOXTM-111H	11	○	○	0	-	P.34
BOXTM-220L	Not Terminal Block	○	○	0	-	P.35
BOXTM-220H	Not Terminal Block	○	○	0	-	P.35
BOXTM-221L	22	○	○	0	-	P.35
BOXTM-221H	22	○	○	0	-	P.35

BOXTM-401

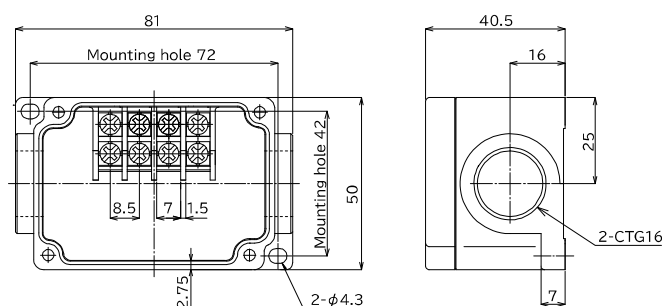
600V / 20A / 2mm² [Screw size M3.5] / 4poles

IP67

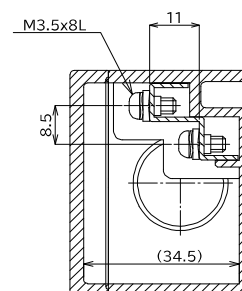
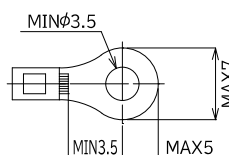


Weight: 97g
Inlet size: CTG16×2
Sales lot: 1pc

Dimension



Applicable crimp terminal



Applicable Short bar

BB8.5-2, 4 (see P.20)