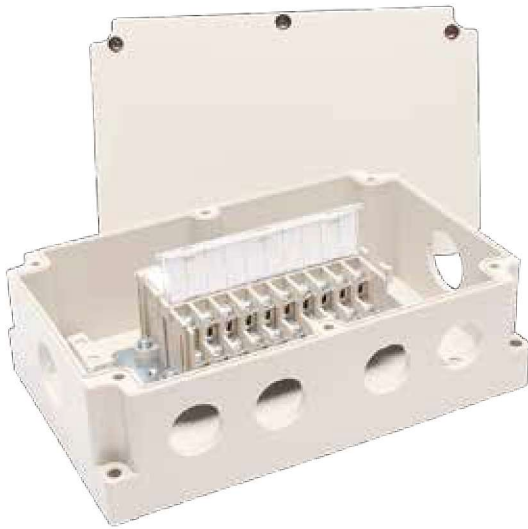


BOXTM-2002

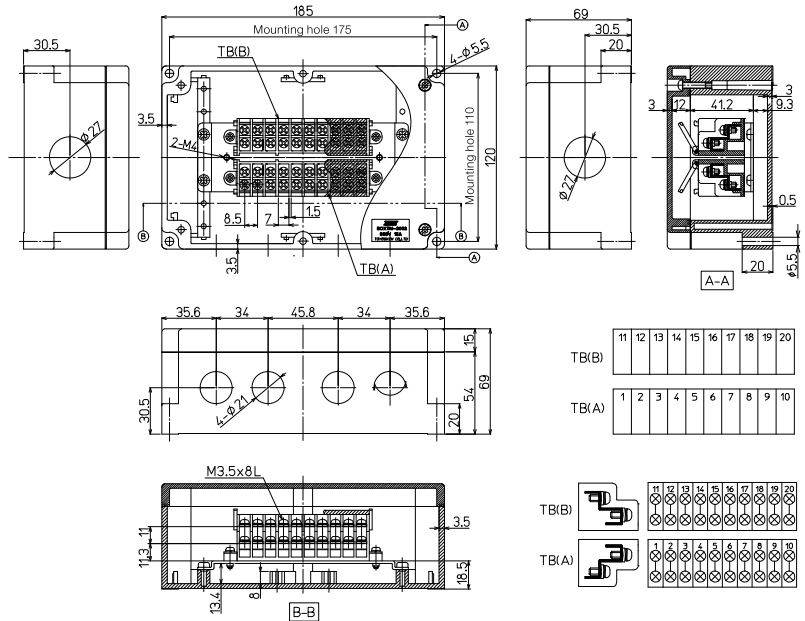
IP67

600V / 15A / 2mm² [Screw size M3.5] / 20poles

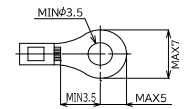
■ Dimension



Weight: 697g
Sales lot: 1pc



■ Applicable crimp terminal



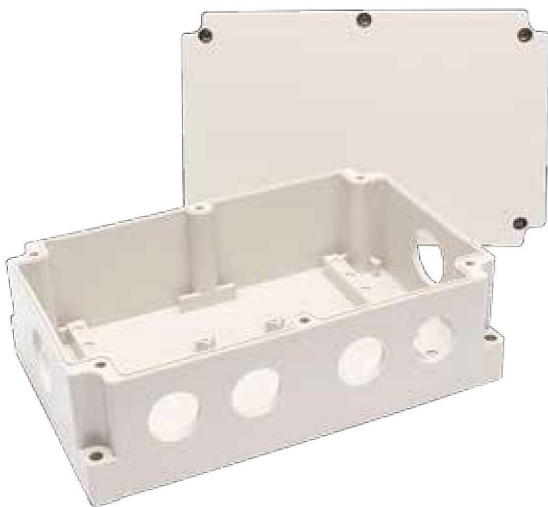
■ Applicable Short bar

BB8.5-2, 4, 8, 10 (see P.20)

BOXTM-2003

IP67

■ Dimension



Weight: 476g
Sales lot: 1pc

