

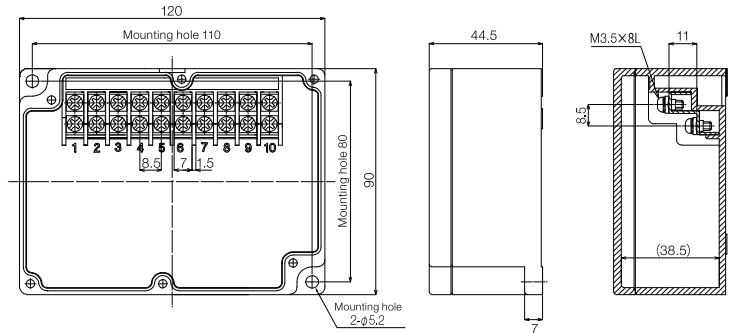
BOXTM-1001

600V / 15A / 2mm² [Screw size M3.5] / 10poles

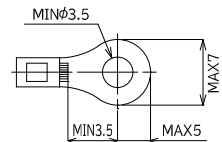


Weight: 250g
Sales lot: 1pc

■ Dimension



■ Applicable crimp terminal



■ Applicable Short bar

BB8.5-2, 4, 8, 10 (see P.20)

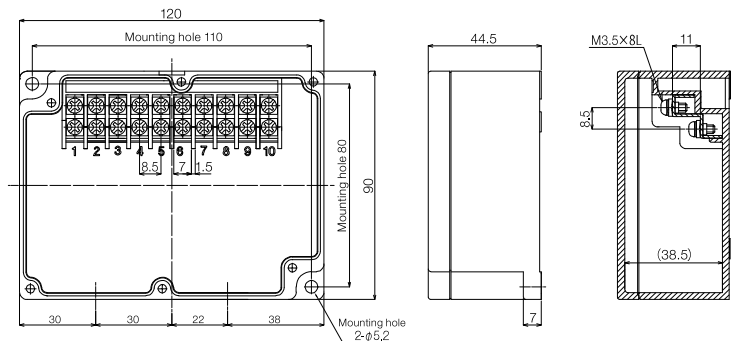
BOXTM-1002

600V / 15A / 2mm² [Screw size M3.5] / 10poles

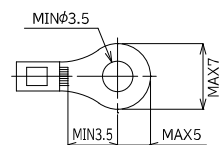


Weight: 249g
Sales lot: 1pc

■ Dimension



■ Applicable crimp terminal



■ Applicable Short bar

BB8.5-2, 4, 8, 10 (see P.20)