

# BOXTB-8AT10

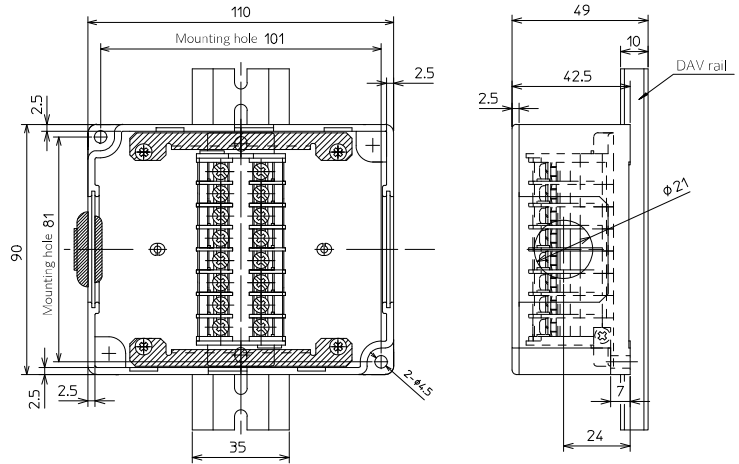
600V / 20A / 2mm<sup>2</sup> [Screw size M3.5] / 8poles



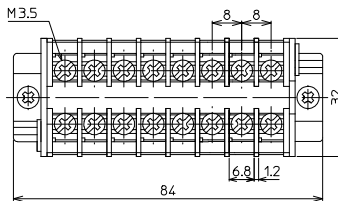
Weight: 234g  
Sales lot: 1pc

■ Applicable Short bar  
BB8A-2, 4, 6, 8 (see P.36)

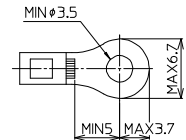
■ Dimension



◆ Terminal block : ATK-10G-8P  
\*Chemical / Oil / Heat resistance



■ Applicable crimp terminal



# BOXTB-6AT20

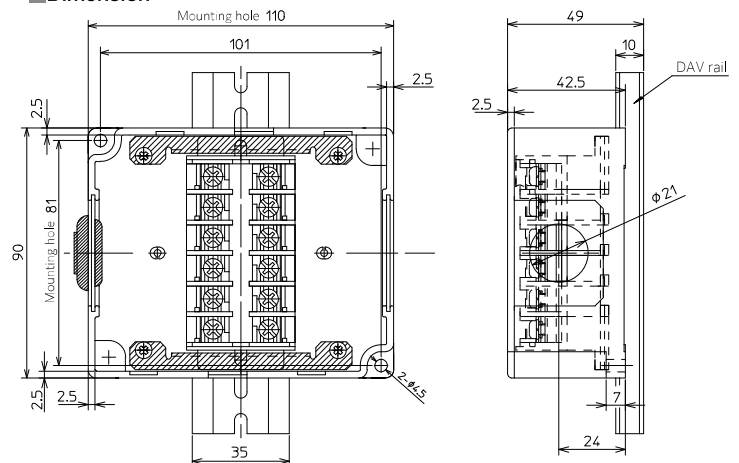
600V / 40A / 5.5mm<sup>2</sup> [Screw size M4] / 6poles



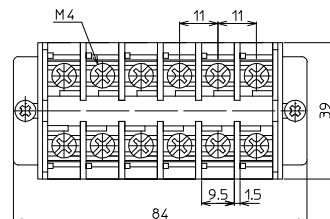
Weight: 266g  
Sales lot: 1pc

■ Applicable Short bar  
BB11-2, 4 (see P.41)

■ Dimension



◆ Terminal block : ATK-20G-6P  
\*Chemical / Oil / Heat resistance



■ Applicable crimp terminal

