

BOXTB-4AT

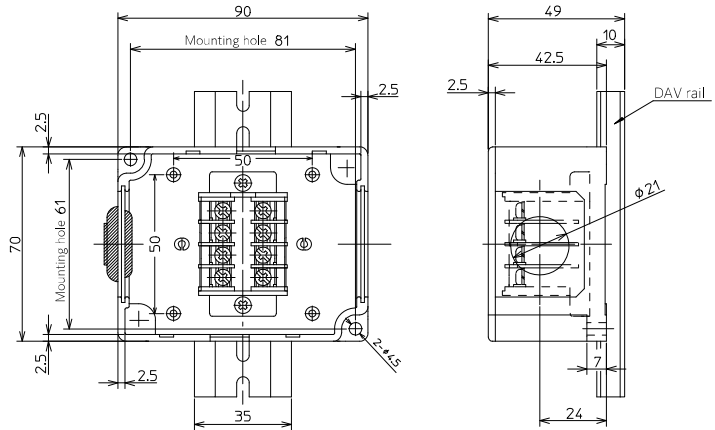
600V / 20A / 2mm² [Screw size M3.5] / 4poles



Weight: 147g
Sales lot: 1pc

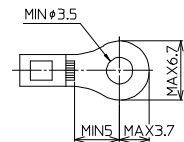
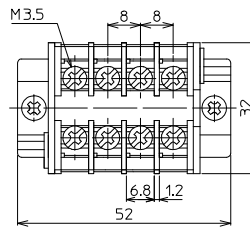
■ Applicable Short bar
BB8A-2, 4 (see P.36)

■ Dimension



◆ Terminal block : ATK-10G-4P
*Chemical / Oil / Heat resistance

■ Applicable crimp terminal



BOXTB-6AT

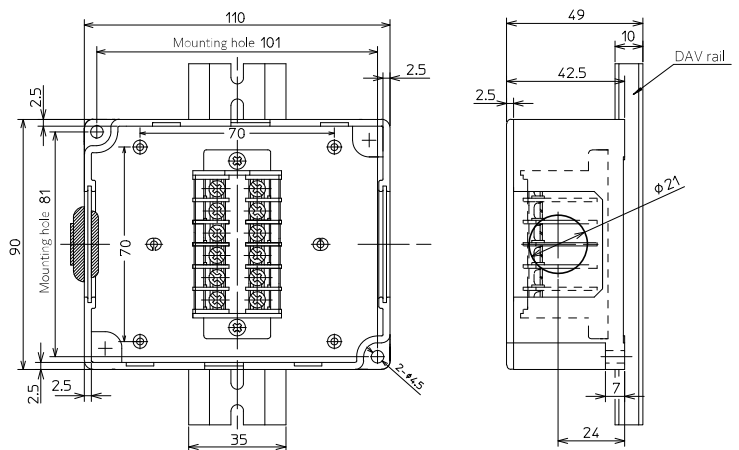
600V / 20A / 2mm² [Screw size M3.5] / 6poles



Weight: 203g
Sales lot: 1pc

■ Applicable Short bar
BB8A-2, 4, 6 (see P.36)

■ Dimension



◆ Terminal block : ATK-10G-6P
*Chemical / Oil / Heat resistance

■ Applicable crimp terminal

