

# Accessories

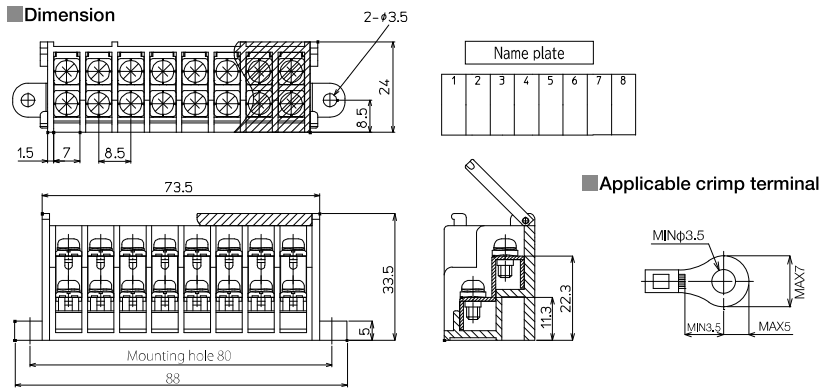
Terminal block for optional installation

## CNT15-8

600V / 15A / 2mm<sup>2</sup> [Screw size M3.5]/8poles



Weight: 63g  
Sales lot: 1pc

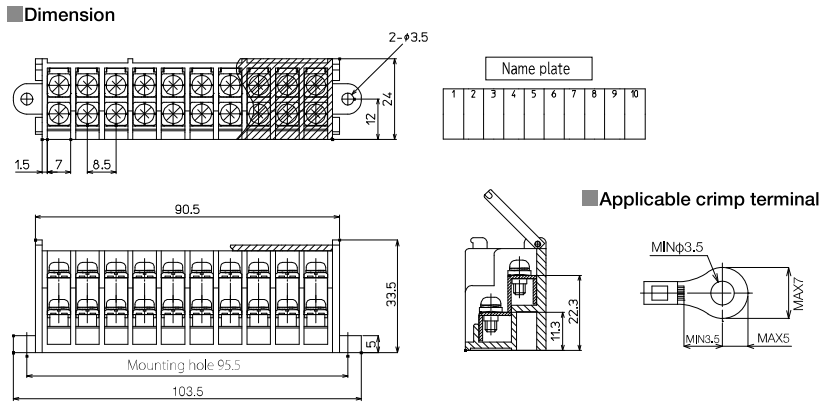


## CNT15-10

600V / 15A / 2mm<sup>2</sup> [Screw size M3.5]/10poles



Weight: 77g  
Sales lot: 1pc



### Specifications

Rated voltage	AC,DC 600V
Rated current	15A
Insulation resistance	100MΩ or more (DC500V)
Withstand voltage	AC 2500V / min
Applicable wire	2.0mm <sup>2</sup> / MAX
Tightening torque	1.4N·m
Ambient temperature	-25°C~+100°C (No freezing and condensations)
Relative humidity	45%~85%

### Materials

Terminal block main body	PBT (UL94V-0)
Conductive plate	Brass (Ni plating)
Terminal Screw	SWCH (Zn+trivalent chromate-plating) M3.5×8L
Cover	PC (UL94V-2)
Name plate	Paper

### ■ Applicable Short bar

BB8.5-2, 4, 8, 10

### Short bar

**BB8.5-2**



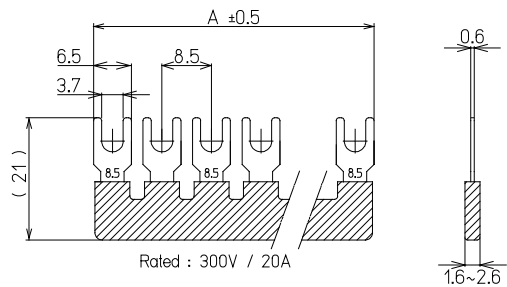
**BB8.5-4**



**BB8.5-8**



**BB8.5-10**



No. of poles	Part No.	A	Weight	Sales lot
2	BB8.5-2	14.5mm	1.1g	10pcs
4	BB8.5-4	31.5mm	2.2g	10pcs
8	BB8.5-8	65.5mm	4.6g	10pcs
10	BB8.5-10	82.5mm	5.9g	10pcs

Material : Copper alloy(Ni plating) , PVC