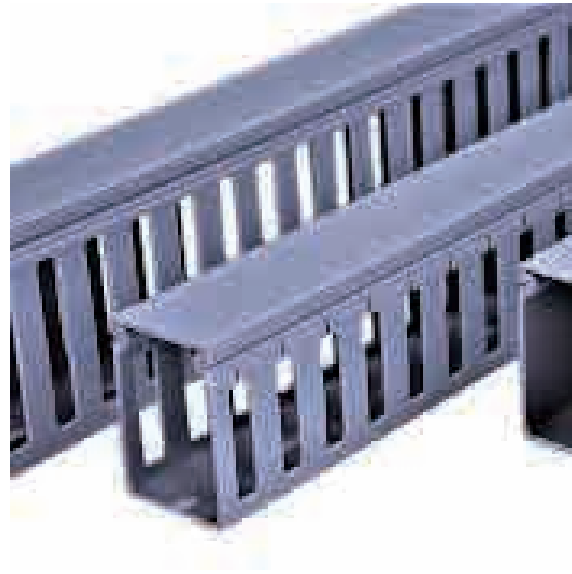


TD Series



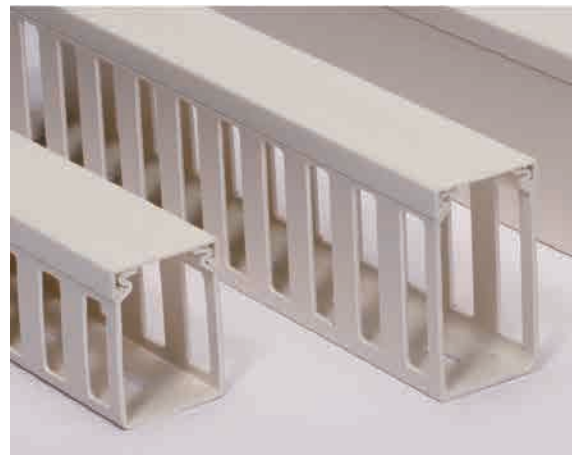
WIRING DUCT

UL APPROVED : E471817

ORGANIZE YOUR SPACE : Designed with parallel openings on both sidewalls. 33 different capacity sizes to provide easy access to cables and give a tidy appearance.

LASTS LONG : Constructed of Rigid PVC plastic, this wire cable hider duct is warp-resistant, self-extinguishing, and durable.

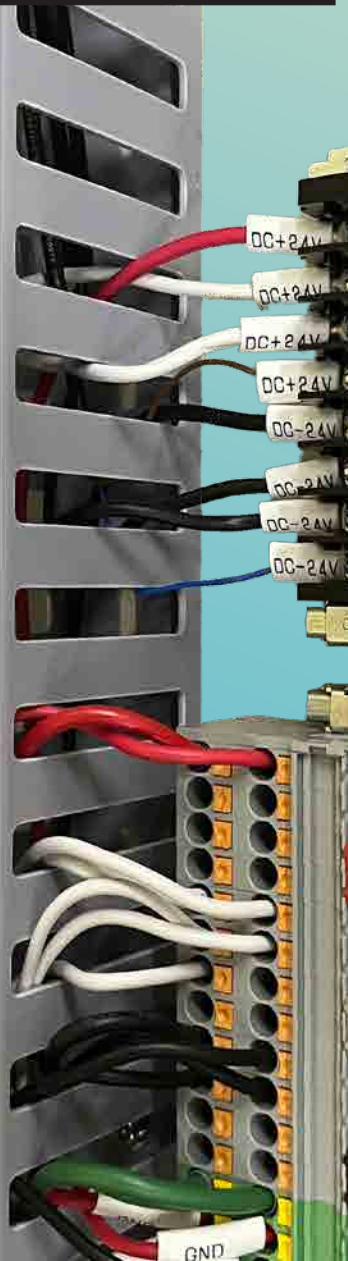
TDEP Series



ENVIRONMENT- FRIENDLY : Halogen-free PP used for material.

LIGHT WEIGHT : By using PP, the weight is reduced by about 85% compared to stainless steel ducts. Also compared to the TD series, it is over 25% lighter, giving your greater flexibility in equipment design.

HEAT-RESISTANT : The resin is flame retardant and suitable for use in high temperature environments.

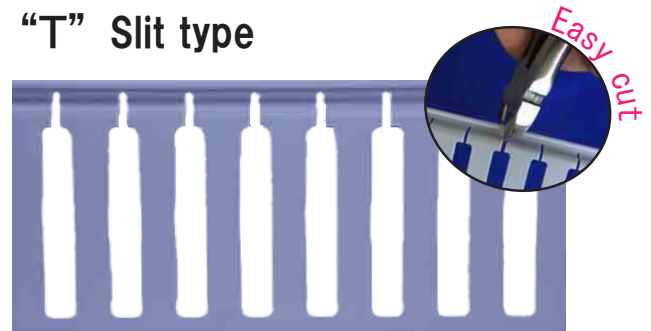


- Available in 33 different sizes, depending on the application. There are 3 types of side slot, so you will find the best fit for you!

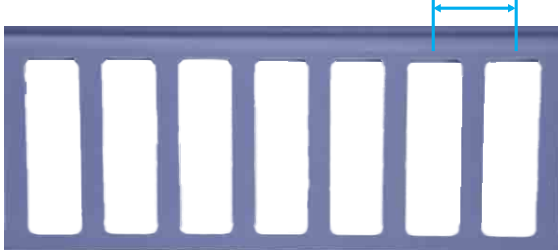
“H” Standard type 20mm



“T” Slit type

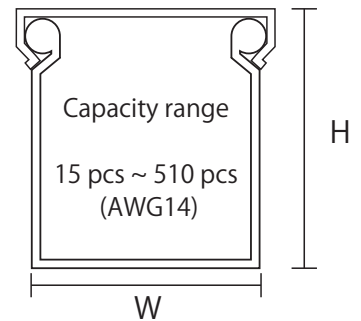


“LL” Wide type 25mm



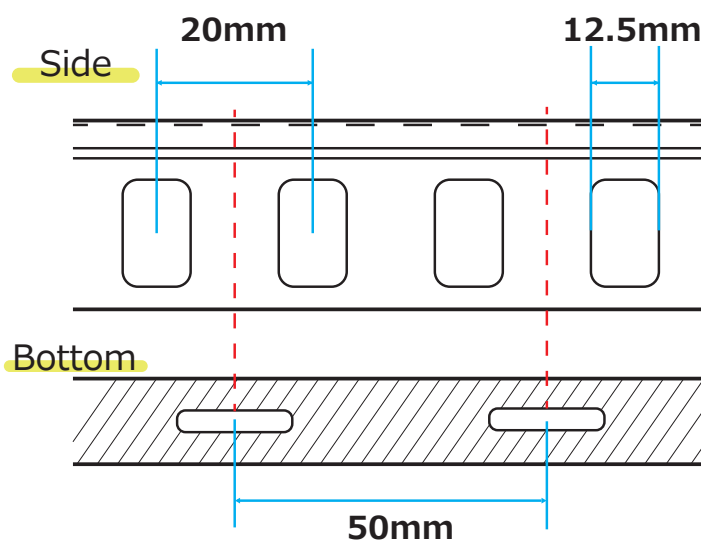
* except for TD-1510-20-LL

33types

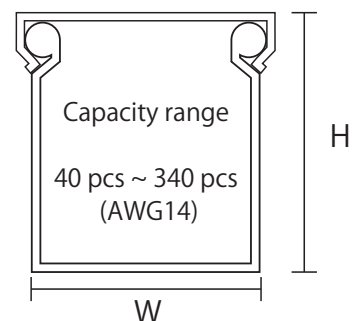


- When cutting to a specific length, there is no need to worry about the cut point.

As shown in the figure, the center of the side pillar section corresponds to the center of the bottom hole.



15types



TD Series



Part No. form

[Size No.]-[Side slot type]

① Select "Size No."

② Select "Side slot type"

e.g.) W:18, H:25, Side slot type [H]

→ TD-23-20-H

Material : Rigid PVC (94V-0)

Operating temperature : -15°C~50°C

Color : Gray

Length : 2m

Size No. (Length: 2m)	W (mm)	H (mm)	Capacity (AWB14/pcs)	Available Side Hole Type		
				H	T	L
TD-23-20	18	25	15	•	•	n/a
TD-53-20	52		50	n/a	•	n/a
TD-N23-20	20	30	20	•	•	n/a
TD-33-20	30		30	•	•	n/a
TD-24-20	25	40	40	•	•	•
TD-34-20	30		55	•	•	•
TD-44-20	40		60	•	•	•
TD-64-20	60		100	•	•	n/a
TD-74-20	70		105	•	•	n/a
TD-26-20	25	60	60	•	•	•
TD-36-20	30		65	•	•	•
TD-46-20	40		90	•	•	•
TD-56-20	52		110	•	•	•
TD-66-20	60		130	•	•	•
TD-76-20	70		150	•	•	•
TD-86-20	80		190	•	•	•
TD-106-20	100		240	•	•	•
TD-156-20	150	310	n/a	n/a	•	
TD-28-20	25	80	70	•	•	•
TD-38-20	30		90	•	•	•
TD-48-20	40		120	•	•	•
TD-58-20	52		160	•	•	•
TD-68-20	60		200	•	•	•
TD-88-20	80		260	•	•	•
TD-108-20	100	320	•	•	•	
TD-210-20	25	100	100	•	n/a	•
TD-310-20	30		110	•	n/a	•
TD-410-20	40		160	•	•	•
TD-610-20	60		240	•	•	•
TD-810-20	80		270	•	•	•
TD-1010-20	100		340	•	•	•
TD-1510-20	150		510	n/a	n/a	•
TD-1015-20	100	150	510	•	•	•

Data sheet

TD-23-20-□

Sales lot (Qty. per box) : 50
Packing box type: A

Cross section	Side slot	w/1pc
	H	360g
Bottom hole	T	350g
	LL	

TD-53-20-□

Sales lot (Qty. per box) : 40
Packing box type: D

Cross section	Side slot	w/1pc
	H	
Bottom hole	T	750g
	LL	

TD-N23-20-□

Sales lot (Qty. per box) : 50
Packing box type: A

Cross section	Side slot	w/1pc
	H	420g
Bottom hole	T	410g
	LL	

TD-33-20-□

Sales lot (Qty. per box) : 40
Packing box type: D

Cross section	Side slot	w/1pc
	H	540g
Bottom hole	T	530g
	LL	

TD-24-20-□

Sales lot (Qty. per box) : 40
Packing box type: B

Cross section	Side slot	w/1pc
	H	550g
Bottom hole	T	540g
	LL	520g

TD-34-20-□

Sales lot (Qty. per box) : 40
Packing box type: D

Cross section	Side slot	w/1pc
	H	580g
Bottom hole	T	570g
	LL	545g

TD-44-20-□

Sales lot (Qty. per box) : 40
Packing box type: B

Cross section	Side slot	w/1pc
	H	690g
Bottom hole	T	680g
	LL	655g

TD-64-20-□

Sales lot (Qty. per box) : 20
Packing box type: B

Cross section	Side slot	w/1pc
	H	970g
Bottom hole	T	960g
	LL	

TD-74-20-□

Sales lot (Qty. per box) : 20
Packing box type: B

Cross section	Side slot	w/1pc
	H	1,040g
Bottom hole	T	1,030g
	LL	

TD-26-20-□

Sales lot (Qty. per box) : 40
Packing box type: B

Cross section	Side slot	w/1pc
	H	730g
Bottom hole	T	720g
	LL	620g

TD-36-20-□

Sales lot (Qty. per box) : 30
Packing box type: B

Cross section	Side slot	w/1pc
	H	750g
Bottom hole	T	730g
	LL	640g

TD-46-20-□

Sales lot (Qty. per box) : 30
Packing box type: B

Cross section	Side slot	w/1pc
	H	880g
Bottom hole	T	860g
	LL	770g

TD-56-20-□

Sales lot (Qty. per box) : 20
Packing box type: B

Cross section	Side slot	w/1pc
	H	1,040g
Bottom hole	T	1,030g
	LL	940g

TD-66-20-□

Sales lot (Qty. per box) : 20
Packing box type: B

Cross section	Side slot	w/1pc
	H	1,150g
Bottom hole	T	1,130g
	LL	1,040g

TD-76-20-□

Sales lot (Qty. per box) : 20
Packing box type: C

Cross section	Side slot	w/1pc
	H	1,270g
Bottom hole	T	1,250g
	LL	1,170g

TD-86-20-□

Sales lot (Qty. per box) : 20
Packing box type: C

Cross section	Side slot	w/1pc
	H	1,330g
Bottom hole	T	1,310g
	LL	1,250g

TD-106-20-□

Sales lot (Qty. per box) : 10
Packing box type: B

Cross section	Side slot	w/1pc
	H 	1,550g
Bottom hole	T 	1,540g
	LL 	1,440g

TD-156-20-□

Sales lot (Qty. per box) : 6
Packing box type: B

Cross section	Side slot	w/1pc
	H	
Bottom hole	T	
	LL 	2,460g

TD-28-20-□

Sales lot (Qty. per box) : 24
Packing box type: B

Cross section	Side slot	w/1pc
	H 	800g
Bottom hole	T	
	LL 	690g

TD-38-20-□

Sales lot (Qty. per box) : 24
Packing box type: B

Cross section	Side slot	w/1pc
	H 	930g
Bottom hole	T 	910g
	LL 	770g

TD-48-20-□

Sales lot (Qty. per box) : 18
Packing box type: D

Cross section	Side slot	w/1pc
	H 	1,070g
Bottom hole	T 	1,040g
	LL 	930g

TD-58-20-□

Sales lot (Qty. per box) : 12
Packing box type: D

Cross section	Side slot	w/1pc
	H 	1,200g
Bottom hole	T 	1,190g
	LL 	1,060g

TD-68-20-□

Sales lot (Qty. per box) : 12
Packing box type: D

Cross section	Side slot	w/1pc
	H 	1,310g
Bottom hole	T 	1,280g
	LL 	1,150g

TD-88-20-□

Sales lot (Qty. per box) : 14
Packing box type: C

Cross section	Side slot	w/1pc
	H 	1,560g
Bottom hole	T 	1,540g
	LL 	1,410g

TD-108-20-□

Sales lot (Qty. per box) : 8
Packing box type: B

Cross section	Side slot	w/1pc
	H 	1,850g
Bottom hole	T 	1,820g
	LL 	1,680g

TD-210-20-□

Sales lot (Qty. per box) : 20
Packing box type: D

Cross section	Side slot	w/1pc
	H 	990g
Bottom hole	T	
	LL 	790g

TD-310-20-□

Sales lot (Qty. per box) : 20
Packing box type: B

Cross section	Side slot	w/1pc
	H 	1,050g
Bottom hole	T	
	LL 	870g

TD-410-20-□

Sales lot (Qty. per box) : 18
Packing box type: C

Cross section	Side slot	w/1pc
	H 	1,240g
Bottom hole	T 	1,170g
	LL 	1,010g

TD-108-20-□

Sales lot (Qty. per box) : 12
Packing box type: B

Cross section	Side slot	w/1pc
	H	1,490g
Bottom hole	T	1,430g
	LL	1,300g

TD-810-20-□

Sales lot (Qty. per box) : 12
Packing box type: C

Cross section	Side slot	w/1pc
	H	1,740g
Bottom hole	T	1,690g
	LL	1,520g

TD-1010-20-□

Sales lot (Qty. per box) : 6
Packing box type: B

Cross section	Side slot	w/1pc
	H	1,990g
Bottom hole	T	1,960g
	LL	1,790g

TD-1510-20-□

Sales lot (Qty. per box) : 6
Packing box type: C

Cross section	Side slot	w/1pc
	H	
Bottom hole	T	
	LL	2,800g

TD-1015-20-□

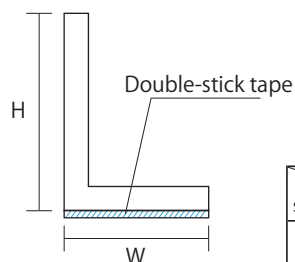
Sales lot (Qty. per box) : 4
Packing box type: B

Cross section	Side slot	w/1pc
	H	2,760g
Bottom hole	T	3,020g
	LL	2,750g

Packing box type

Type	L x W x H (mm)	Weight of box (g)
A	2,050 x 145 x 185	1,390
B	2,050 x 145 x 385	1,930
C	2,050 x 180 x 385	2,100
D	2,050 x 145 x 300	1,660

Separator



Length: 1m Sales lot: 10pcs

Part No.	W	H	Weight
TDS-60H	12	55	106g
TDS-60LL			84g
TDS-80H	15	75	172g
TDS-80LL			136g
TDS-100H	15	95	184g
TDS-100LL			140g

Size No.	TDS-60	TDS-80	TDS-100
Side slot type			
H			
LL			

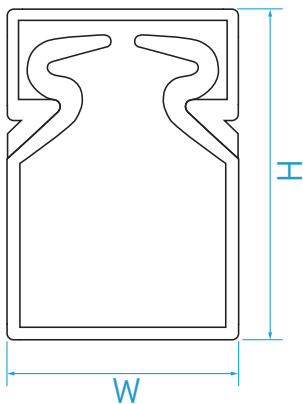
TDEP Series



Material : PP (Halogen free / 94V-0)
 Operating temperature : -20°C~100°C
 Color : Ivory
 Length : 2m

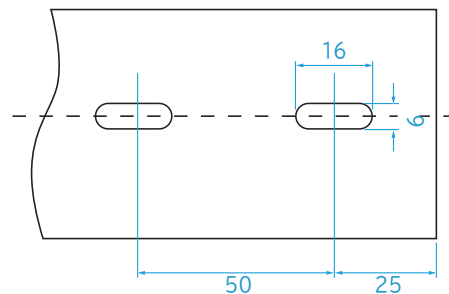
Part No.	W (mm)	H (mm)	Weight	Capacity (AWB14/pcs)	Dimensions	Sales lot (Qty. / box)
TDEP-24-20-M	25	40	440g	40		10pcs
TDEP-34-20-M	30		455g	55		
TDEP-44-20-M	40		565g	60		
TDEP-26-20-M	25	60	535g	60		
TDEP-36-20-M	30		605g	65		
TDEP-46-20-M	40		655g	90		
TDEP-66-20-M	60		880g	130		
TDEP-38-20-M	30	80	655g	90		
TDEP-48-20-M	40		720g	120		
TDEP-68-20-M	60		990g	200		
TDEP-88-20-M	80		1,090g	260		
TDEP-410-20-M	40	100	945g	160		6pcs
TDEP-610-20-M	60		1,155g	240		
TDEP-810-20-M	80		1,260g	270		
TDEP-1010-20-M	100		1,430g	340		

cross-section view

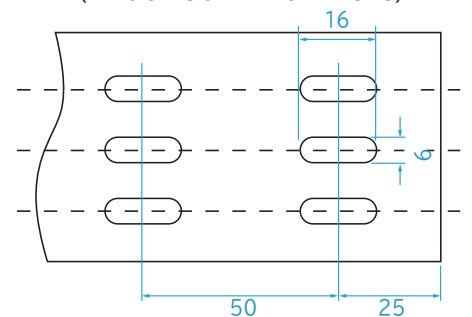


Bottom dimensions

〈Width 60mm or less〉



〈Width 80mm or more〉



Duct Cutter TC-100

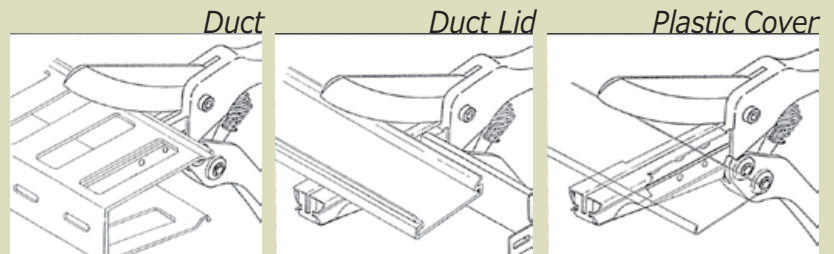
Designed to cut plastic materials
e.g.) Wiring duct, Terminal block cover



Total length : 270mm
Length of blade : 115mm
Weight : Approx. 580g

FOR HARD and SOFT PLASTICS

·Duct cutter is a plastic cutting tool with a blade optimally shaped for cutting hard and soft plastics.



Included items

<Sliding cover A>



For cutting wide lids

<Sliding cover B>



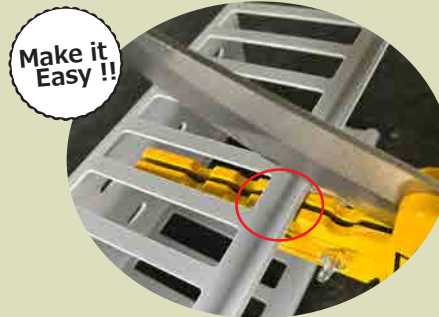
For cutting narrow lids

<Right angle attachment>



For cutting the lid at right angles

Fixed in position by the concave part of the receiver.



CAUTION
READ INSTRUCTIONS BEFORE USING



Duct Nipper TDN-100

Ideal for cutting duct pillars and resin products.



Total length : 327mm
Depth : 96mm
Width of cutting edge : 18.5mm
Weight : Approx. 460g

PINCH-OFF type



CAUTION
READ INSTRUCTIONS BEFORE USING